

**READ AND FOLLOW ALL SAFETY INSTRUCTIONS!  
SAVE THESE INSTRUCTIONS AND DELIVER TO OWNER AFTER INSTALLATION**

- To reduce the risk of death, personal injury or property damage from fire, electric shock, falling parts, cuts/abrasions, and other hazards please read all warnings and instructions included with and on the luminaire box and all luminaire labels.
- Before installing, servicing, or performing routine maintenance upon this equipment, follow these general precautions.
- Installation and service of luminaires should be performed by a **qualified licensed electrician**.
- Maintenance of the luminaires should be performed by person(s) familiar with the luminaires' construction and operation and any hazards involved. Regular luminaire maintenance programs are recommended.
- It will occasionally be necessary to clean the outside of the refractor/lens. Frequency of cleaning will depend on ambient dirt level and minimum light output which is acceptable to user. Refractor/lens should be washed in a solution of warm water and any mild, non-abrasive household detergent, rinsed with clean water and wiped dry. Should optical assembly become dirty on the inside, wipe refractor/lens and clean in above manner, replacing damaged gaskets as necessary.
- **DO NOT INSTALL DAMAGED PRODUCT!** This luminaire has been properly packed so that no parts should have been damaged during transit. Inspect to confirm. Any part damaged or broken during or after assembly should be replaced.
- Recycle: For information on how to recycle LED electronic products, please visit [www.epa.gov](http://www.epa.gov).
- These instructions do not purport to cover all details or variations in equipment nor to provide every possible contingency to meet in connection with installation, operation, or maintenance. Should further information be desired or should particular problems arise which are not covered sufficiently for the purchaser's or owner's purposes, this matter should be referred to Acuity Brands Lighting, Inc.



**WARNING  
RISK OF ELECTRIC SHOCK**

- ✓ Disconnect or turn off power before installation or servicing.
- ✓ Verify that supply voltage is correct by comparing it with the luminaire label information.
- ✓ Make all electrical and grounded connections in accordance with the National Electrical Code (NEC) and any applicable local code requirements.
- ✓ All wiring connections should be capped with UL approved recognized wire connectors.



**WARNING  
RISK OF BURN**

- ✓ Allow lamp/luminaire to cool before handling. Do not touch enclosure or light source.
- ✓ Follow all manufacturer's warnings, recommendations and restrictions for: driver type, burning position, mounting locations/methods, replacement and recycling.
- ✓ Do not exceed maximum wattage marked on luminaire label.



**CAUTION  
RISK OF INJURY**

- ✓ Wear gloves and safety glasses at all times when removing luminaire from carton, installing, servicing or performing maintenance.
- ✓ Avoid direct eye exposure to the light source while it is on.



**CAUTION  
RISK OF FIRE**

- ✓ Keep combustible and other materials that can burn, away from lamp/lens.
- ✓ Do not operate in close proximity to persons, combustible materials or substances affected by heat or drying.

**LED IMPORTANT SAFETY INSTRUCTIONS**



**CAUTION: RISK OF PRODUCT DAMAGE**

- ✓ Never connect components under load.
- ✓ Do not mount or support these luminaires in a manner that can cut the outer jacket or damage wire insulation.
- ✓ Unless individual product specifications deem otherwise: Never connect an LED product directly to a dimmer pack, occupancy sensors, timing devices, or other related control devices. LED luminaires must be powered directly off a switched circuit.
- ✓ Unless individual product specifications deem otherwise: Do not restrict luminaire ventilation. Allow for some volume of airspace around luminaire. Avoid covering LED luminaires with insulation, foam, or other material that will prevent convection or conduction cooling.
- ✓ Unless individual product specifications deem otherwise: Do not exceed luminaires maximum ambient temperature.
- ✓ Only use luminaire in its intended location.
- ✓ Electrostatic Discharge (ESD): ESD can damage LED luminaires. Personal grounding equipment must be worn during all installation or servicing of the unit.
- ✓ Do not touch individual electrical components as this can cause ESD, shorten lamp life, or alter performance.
- ✓ Some components inside the luminaire may not be serviceable. In the unlikely event your unit may require service, stop using the unit immediately and contact an ABL representative for assistance.
- ✓ Always read the luminaires complete installation instructions prior to installation for any additional luminaire specific warnings.

**Please see product specific installation instructions for additional warnings or any applicable FCC or other regulatory statements.**

**Failure to follow any of these instructions could void product warranties. For a complete listing of product Terms and Conditions, please visit [www.acuitybrands.com](http://www.acuitybrands.com).**

<b>Our Brands</b>	<b>Indoor/Outdoor</b>	<b>Indoor Lighting</b>	<b>Outdoor Lighting</b>	<b>Controls</b>
	Lithonia Lighting	Gotham	American Electric Lighting	DARK TO LIGHT
	Carandini	Mark Architectural Lighting	Antique Street Lamps	Lighting Control & Design
	Holophane	Peerless	Hydrel	ROAM
	RELOC	Renaissance Lighting	Tersen	Sensor Switch
	Light Concepts	Winona Lighting		Synergy

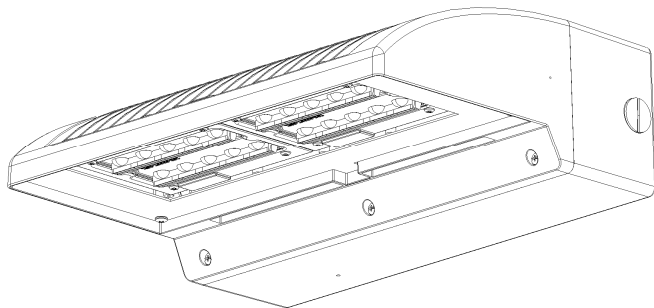
**Acuity Brands Lighting, Inc. assumes no responsibility for claims arising out of improper or careless installation or handling of its products.**

ABL LED General Warnings, Form No. 503.203

**Index**

DESCRIPTION	SECTION
Introduction	1
Installation	2
Tools and Materials Required	2.2
Wiring the Luminaire – Std. Luminaire	2.3
Wiring the Luminaire – Emergency Battery Pack (EM Option)	2.4
Wiring the Luminaire – Two Independent Circuit (2CI Option)	2.5
Attaching Heatsink to Electrical Housing	2.6
Optional 0-10V DC Dimming Controls	2.7
Maintenance	3
Limited Warranty and Limitation of Liability	4
Field Adjustable Output (AO) Tables	5

**Figure 1**



GR2673

**1 Introduction**

**1.1 Product Description.** The Wallpack® Full Cutoff LED luminaires have been designed and tested in accordance with applicable UL/CSA standards and are suitable for use in wet locations. Installation is limited to wall mount only. This luminaire is not suitable for up-light applications. Luminaire max weight is 24 lbs.

**2 Installation**

**2.1 Tools and Materials Required.**

TABLE 1. Installation Tools and Materials

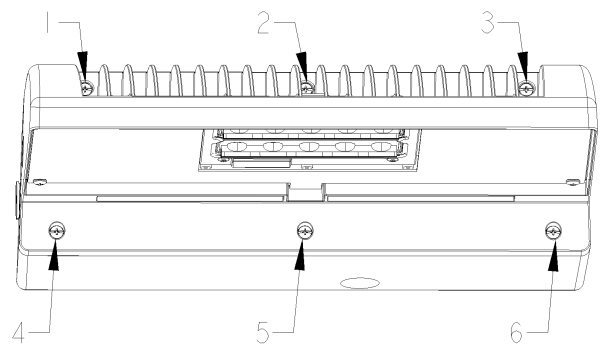
DESCRIPTION	USE
Slot-head screwdriver (required)	Electrical housing access
Phillips-head screwdriver (recommended)	
Drill and bit sized per fastener	Drilling mounting holes into electrical housing
Mounting fastener (variable; must be appropriate size and thread for mounting substrate)	Mounting luminaire
Silicon Sealant or equivalent	Sealing luminaire against water intrusion after installation

**2.2 Mounting Luminaire to Wall**

**2.2.1** Loosen the 6 screws that hold the front heatsink to the electrical housing (figure 2)

**2.2.2** Fully separate the front heatsink from the electrical housing by pulling the heatsink directly away from the electrical housing. Disconnect hooks and wires or wire harnesses and set the heatsink aside where it will not be damaged. When disconnecting any wiring, do not remove any wire labels.

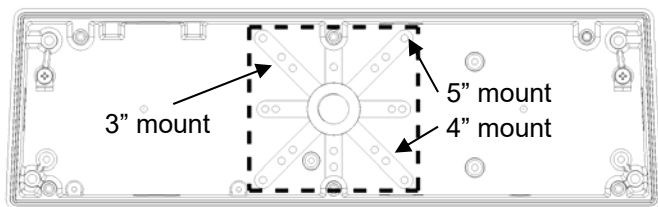
**Figure 2**



GR2674

**2.2.3** Drill out necessary anchoring holes at indicated drill points. Drill points are within the dashed box shown on figure 3.

Figure 3



GR2675

**2.2.4** For conduit entry or J-Box mounting, remove the appropriate threaded plug on the electrical housing

**2.2.5** Insert the supply wires or thread conduit through the hole and secure housing to the wall using fasteners, not included, that are appropriate for the size and weight of the luminaire as well as the substrate the luminaire is being mounted to.

**2.2.6** Apply a continuous bead rubber silicon to seal the back housing to the wall.

**2.2.7** Apply a continuous bead rubber silicon to fully seal any unused conduit entry points.

### 2.3 Wiring the Luminaire – Standard Luminaire

**2.3.1** Using the provided chains and hooks, hang the heatsink on the electrical housing for temporary support during wiring.

**2.3.2** Check Voltage to ensure the line voltage matches the voltage range shown in the luminaire description on the fixture label.

**2.3.3** Reconnect any wiring that had been undone when removing the heatsink from the electrical housing.

**2.3.4** Connect the line voltage supply wires to the luminaire input wires using the pre-installed lever nuts.

### 2.4 Wiring the Luminaire – Emergency Battery Pack (EM) Luminaires only

**2.4.1** Follow steps 2.3.1 to 2.3.3

**2.4.2** Connect the line voltage supply wires to the luminaire input wires using the pre-installed lever nuts. For the emergency battery pack, both the switched (white/red wire from battery) and unswitched (orange/black wire from battery) lines are run through surge protection devices. The unswitched line will be labeled on the surge protection device.

**2.4.3** Connect the battery pack inverter (red and white wires with clear, plastic caps) to enable the battery back-up

**CAUTION:** The emergency battery pack must be allowed to charge for 24 hours prior to testing operation. The battery will continuously discharge until it is drained and will begin charging when the luminaire is energized.

**CAUTION:** Luminaires with an emergency battery pack cannot be mounted higher than 10.74 ft. from the ground

in order to comply with UL emergency lighting 1-ft candle criteria

### 2.5 Wiring the Luminaire – Two Independent Circuit (2CI) Luminaires only

**2.5.1** Follow steps 2.3.1 to 2.3.3

**2.5.2** Connect the line voltage supply wires to the luminaire input wires using the pre-installed lever nuts. For the 2CI option, there should be 2 identical drivers present in the luminaire. The driver that is intended to be powered by the building's inverter has an "unswitched" label from the factory. The wire color for the unswitched line will be variable depending on the performance package chosen.

### 2.6 Attaching Heatsink to Electrical Housing (Figure 4)

**2.6.1** Bring the heatsink close to the electrical housing and insert the 4 guiding pins on the heatsink into the 4 guiding holes in of the electrical housing

**2.6.2** Making sure not to pinch any wires or chains, slide the heatsink until it makes contact with the electrical housing.

**2.6.3** Tighten the 6 screws to 20-25 in-lbs. to ensure a watertight seal and a secure connection of the heatsink to the electrical housing.

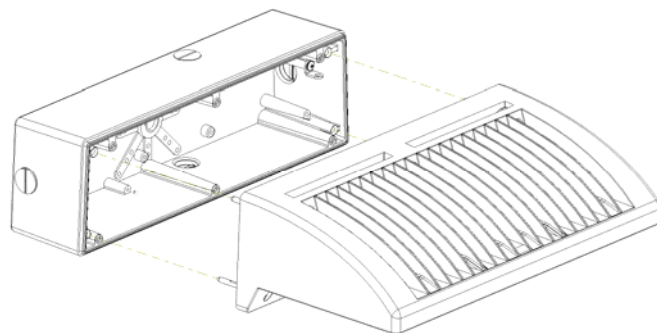
#### WARNING

**FAILURE TO TIGHTEN HOUSING SCREWS COULD CAUSE LUMINAIRE TO FALL RESULTING IN INJURY, DEATH OR SERIOUS PROPERTY DAMAGE.**

#### AVERTISSEMENT

**NE PAS SERRER CORRECTEMENT LA VIS DE RÉGLAGE PEUT PROVOQUER LA CHUTE DE LA FIXATION ET CAUSER DES BLESSURES, PROVOQUER LA MORT OU DE SÉRIEUX DOMMAGES MATÉRIELS.**

Figure 4



GR2676

## 2.7 Optional 0-10V DC Dimming Controls Information

**2.7.1** Certain control options available with the Wallpack® Full Cutoff LED luminaire have 0-10V DC dimming capabilities. General information for each is as follows:

**2.7.2** For the field adjustable output (AO) module, the default setting is position 8 on the dial, which corresponds to 100% output. Output can be adjusted by rotating the center dial. See tables 2-6 for additional dial settings and their corresponding outputs based on performance package. AO Tables are included on the last page of this installation manual.

**2.7.3** For the occupancy sensor options (MASL & MASH), see luminaire spec sheet for specific mounting height information but in general the MASL option mounting height should not exceed 15' and the MASH option mounting height should be between 15-30' – Specific programming instructions for these devices is included in a separate document, included with the luminaire.

**2.7.4** The part-night dimming (PND) option requires no special steps – the device comes preprogrammed.

**2.7.5** For the NEMA twist-lock photocontrols (P3 and P7 options), installed control nodes are sold separately and are not supported by Holophane product support.

## 3 Maintenance

### 3.1 Electrical Component Replacement

**3.1.1** Disconnect power to the luminaire location before maintenance.

**3.1.2** Open luminaire by loosening 6 heatsink screws and removing the heatsink from the electrical housing. Depending on the device being serviced/replaced it may be easiest to completely remove the heatsink from the electrical housing. Drivers and fuses are mounted to the heatsink, surge devices are mounted to the electrical housing.

**3.1.3** Tag leads before disconnecting if they are not already labeled.

**3.1.4** Replace components using Holophane approved replacement parts.

**3.1.5** Re-connect electrical leads. See sections 2.3, 2.4, or 2.5 depending on luminaire configuration.

**3.1.6** Reattach heatsink to electrical housing. See section 2.6.

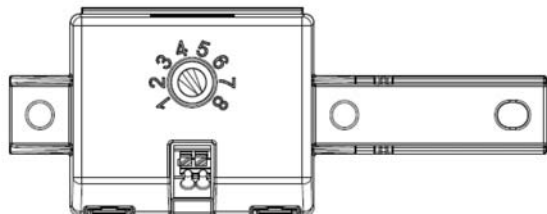
### 3.2 Heatsink - Optical Housing

**3.2.1** There are no user serviceable parts in the optical housing portion of the heatsink.

## 4 Limited Warranty and Limitation of Liability

**4.1** 5-year limited warranty. Complete warranty terms located at:

[www.acuitybrands.com/CustomerResources/Terms\\_and\\_Conditions](http://www.acuitybrands.com/CustomerResources/Terms_and_Conditions)



**Field Adjustable Output Module**

The Field Adjustable Output (AO) module is an onboard device that adjusts the light output and input wattage to meet site specific requirements, allowing a single fixture configuration to be flexibly applied in many different applications. The AO option is available on the HLWPC2 series.

**5 Adjustable Output (AO) Tables**

P10 - AS and AH		
AO Position	% Lumens	% Wattage
8	100%	100%
7	94%	95%
6	83%	82%
5	71%	69%
4	59%	57%
3	46%	45%
2	34%	33%
1	21%	21%

P40 - AS and AH		
AO Position	% Lumens	% Wattage
8	100%	100%
7	95%	95%
6	85%	82%
5	74%	68%
4	62%	55%
3	49%	43%
2	36%	30%
1	21%	17%

P20 - AS and AH		
AO Position	% Lumens	% Wattage
8	100%	100%
7	95%	94%
6	84%	80%
5	73%	67%
4	61%	54%
3	48%	42%
2	35%	30%
1	21%	18%

P50 - AS and AH		
AO Position	% Lumens	% Wattage
8	100%	100%
7	96%	95%
6	86%	81%
5	75%	68%
4	64%	55%
3	51%	42%
2	37%	29%
1	22%	17%

P30 - AS and AH		
AO Position	% Lumens	% Wattage
8	100%	100%
7	95%	94%
6	84%	80%
5	73%	67%
4	61%	54%
3	48%	42%
2	35%	30%
1	21%	18%



Acuity Brands Lighting, Inc.  
3825 Columbus Rd., Granville, OH 43023

IM-438-A 10/12 ©2017 Acuity Brands Lighting, Inc.  
All Rights Reserved.

Visit our web site at [www.holophane.com](http://www.holophane.com)