



**READ AND FOLLOW ALL SAFETY INSTRUCTIONS!**  
**SAVE THESE INSTRUCTIONS AND DELIVER TO OWNER AFTER INSTALLATION**

- To reduce the risk of death, personal injury or property damage from fire, electric shock, falling parts, cuts/abrasions, and other hazards please read all warnings and instructions included with and on the fixture box and all fixture labels.
- Before installing, servicing, or performing routine maintenance upon this equipment, follow these general precautions.
- Installation and service of luminaires should be performed by a **qualified licensed electrician**.
- Maintenance of the luminaires should be performed by person(s) familiar with the luminaires' construction and operation and any hazards involved. Regular fixture maintenance programs are recommended.
- It will occasionally be necessary to clean the outside of the refractor/lens. Frequency of cleaning will depend on ambient dirt level and minimum light output which is acceptable to user. Refractor/lens should be washed in a solution of warm water and any mild, non-abrasive household detergent, rinsed with clean water and wiped dry. Should optical assembly become dirty on the inside, wipe refractor/lens and clean in above manner, replacing damaged gaskets as necessary.
- **DO NOT INSTALL DAMAGED PRODUCT!** This luminaire has been properly packed so that no parts should have been damaged during transit. Inspect to confirm. Any part damaged or broken during or after assembly should be replaced.
- Recycle: For information on how to recycle LED electronic products, please visit [www.epa.gov](http://www.epa.gov).
- These instructions do not purport to cover all details or variations in equipment nor to provide every possible contingency to meet in connection with installation, operation, or maintenance. Should further information be desired or should particular problems arise which are not covered sufficiently for the purchaser's or owner's purposes, this matter should be referred to Acuity Brands Lighting, Inc.




**WARNING**  
RISK OF ELECTRIC SHOCK

- ✓ Disconnect or turn off power before installation or servicing.
- ✓ Verify that supply voltage is correct by comparing it with the luminaire label information.
- ✓ Make all electrical and grounded connections in accordance with the National Electrical Code (NEC) and any applicable local code requirements.
- ✓ All wiring connections should be capped with UL approved recognized wire connectors.




**WARNING**  
RISK OF BURN

- ✓ Allow lamp/fixture to cool before handling. Do not touch enclosure or light source.
- ✓ Do not exceed maximum wattage marked on luminaire label.
- ✓ Follow all manufacturer's warnings, recommendations and restrictions for: driver type, burning position, mounting locations/methods, replacement and recycling.



**CAUTION**  
RISK OF INJURY

- ✓ Wear gloves and safety glasses at all times when removing luminaire from carton, installing, servicing or performing maintenance.
- ✓ Avoid direct eye exposure to the light source while it is on.



**CAUTION**  
RISK OF FIRE

- ✓ Keep combustible and other materials that can burn, away from lamp/lens.
- ✓ Do not operate in close proximity to persons, combustible materials or substances affected by heat or drying.



CAUTION: RISK OF PRODUCT DAMAGE

- ✓ Never connect components under load.
- ✓ Do not mount or support these fixtures in a manner that can cut the outer jacket or damage wire insulation.
- ✓ Unless individual product specifications deem otherwise: Never connect an LED product directly to a dimmer packs, occupancy sensors, timing devices, or other related control devices. LED fixtures must be powered directly off a switched circuit.
- ✓ Unless individual product specifications deem otherwise: Do not restrict fixture ventilation. Allow for some volume of airspace around fixture. Avoid covering LED fixtures with insulation, foam, or other material that will prevent convection or conduction cooling.
- ✓ Unless individual product specifications deem otherwise: Do not exceed fixtures maximum ambient temperature.
- ✓ Only use fixture in its intended location.
- ✓ LED products are Polarity Sensitive. Ensure proper Polarity before installation.
- ✓ Electrostatic Discharge (ESD): ESD can damage LED fixtures. Personal grounding equipment must be worn during all installation or servicing of the unit.
- ✓ Do not touch individual electrical components as this can cause ESD, shorten lamp life, or alter performance.
- ✓ Some components inside the fixture may not be serviceable. In the unlikely event your unit may require service, stop using the unit immediately and contact an ABL representative for assistance.
- ✓ Always read the fixtures complete installation instructions prior to installation for any additional fixture specific warnings.

**Please see product specific installation instructions for additional warnings or any applicable FCC or other regulatory statements.**

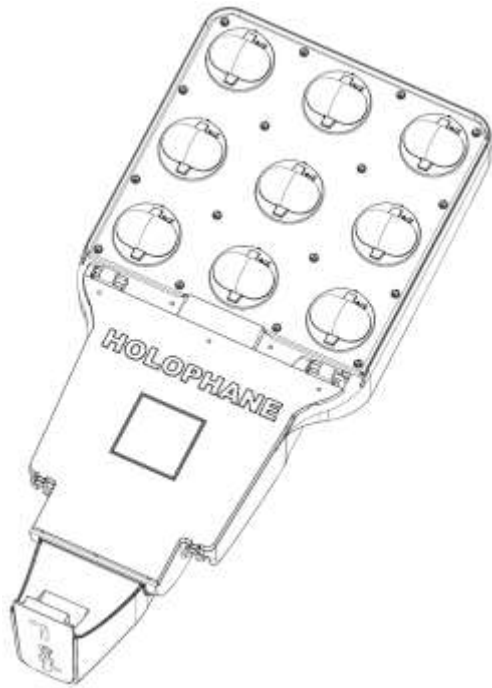
**Failure to follow any of these instructions could void product warranties. For a complete listing of product Terms and Conditions, please visit [www.acuitybrands.com](http://www.acuitybrands.com).**

<b>Our Brands</b>	<b>Indoor/Outdoor</b> Lithonia Lighting Carandini Holophane RELOC	<b>Indoor Lighting</b> Gotham Mark Architectural Lighting Peerless Renaissance Lighting Winona Lighting	<b>Outdoor Lighting</b> American Electric Lighting Antique Street Lamps Hydrel Tersen	<b>Controls</b> DARK TO LIGHT Lighting Control & Design ROAM Sensor Switch Synergy
-------------------	---	--	---	---

**Acuity Brands Lighting, Inc. assumes no responsibility for claims arising out of improper or careless installation or handling of its products.**

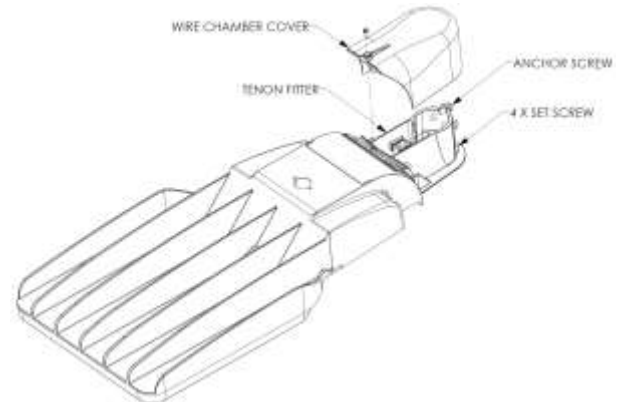
ABL LED General Warnings, Form No. 503.203

© 2011 Acuity Brands Lighting, Inc. All rights reserved. 3/15/11



GR2749

Figure 1



GR2750

## 1 INTRODUCTION

### 1.1 Product Description

The Mongoose LED luminaire has been listed to applicable U.S. & Canadian safety standards. It is suitable for use in wet locations and ambient temperatures up to 40°C.

This device complies with Part 15 of the FCC Rules. Operation is subject to the following two conditions: (1) this device may not cause harmful interference, and (2) this device must accept any interference received, including interference that may cause undesired operation.

## 2 INSTALLATION

### 2.1 Tools and Materials Required.

DESCRIPTION	USE
Wrench for 9/16" Hex	Mounting Bolts
Flat-end screwdriver	Terminal Block/Clamp Band
Torque Wrench (ft.-lbs.)	Mounting Bolts
Phillips Head Screw Driver	Photocontrol Adjustment

### 2.2 Tenon Mounting

**2.2.1** Loosen the screw holding the wire chamber cover to the tenon fitter and remove the cover.

**2.2.2** Being careful not to pinch supply wires, slide the fixture onto the tenon until the tenon seats against the anchor screw. See Figure 1.

- 2.2.3** Align the fixture as necessary and then adjust the appropriate set screws until the base of the tenon fitter is level.
- 2.2.4** Tighten the set screws from 10-12 ft.-lbs. Do not exceed torque.
- 2.2.5** Make the appropriate electrical connections using wire rated for at least 90°C.
- 2.2.6** Secure the supply wires with a wire tie in such a way as to relieve stress on the wire connections.
- 2.2.7** Replace the wire chamber cover and tighten the screw.

### CAUTION

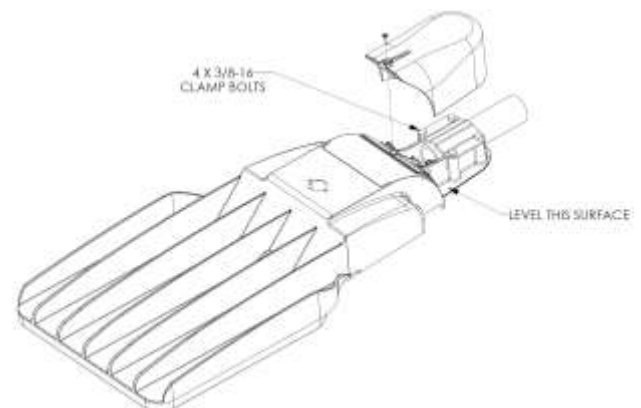
BE CERTAIN THAT NO WIRING IS PINCHED BETWEEN THE WIRE CHAMBER COVER AND TENON FITTER.

**2.2.8** Electrically energize the unit and check for proper operation.

### 2.3 Horizontal Arm Mounting

- 2.3.1** Loosen the screw holding the wire chamber cover in place and remove the cover.
- 2.3.2** Being careful not to pinch the supply wires, slide the fixture onto the mounting arm until the seats against the internal stops.
- 2.3.3** Align the fixture as necessary and then adjust the appropriate clamp bolts until the fitter is level. See figure 2.

Figure 2



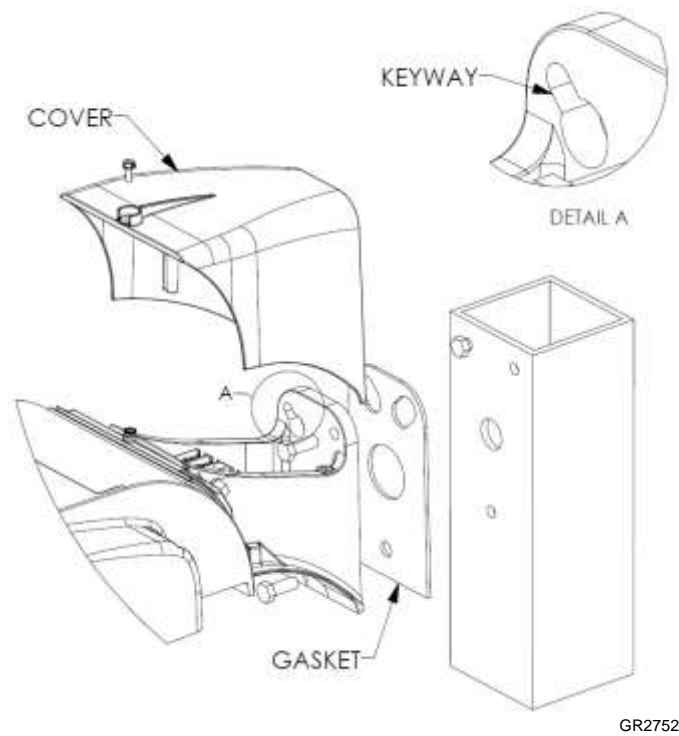
GR2751

- 2.3.4 Tighten the clamp bolts to 15-17 ft-lbs.
- 2.3.5 Follow steps 2.2.5 to 2.2.7.

## 2.4 Architectural Arm Mounting

- 2.4.1 Loosen the screw holding the wire chamber cover in place and remove the cover.
- 2.4.2 Start one of the mounting bolts in the hole that corresponds to the keyway in the fitter.
- 2.4.3 Place supplied gasket between arm and pole. See Figure 3.
- 2.4.4 Line up the keyway with this bolt and use it to hang the fixture. See Figure 3.
- 2.4.5 Tighten the bolts to 22-24 ft-lbs.
- 2.4.6 Follow steps 2.2.5 to 2.2.7.

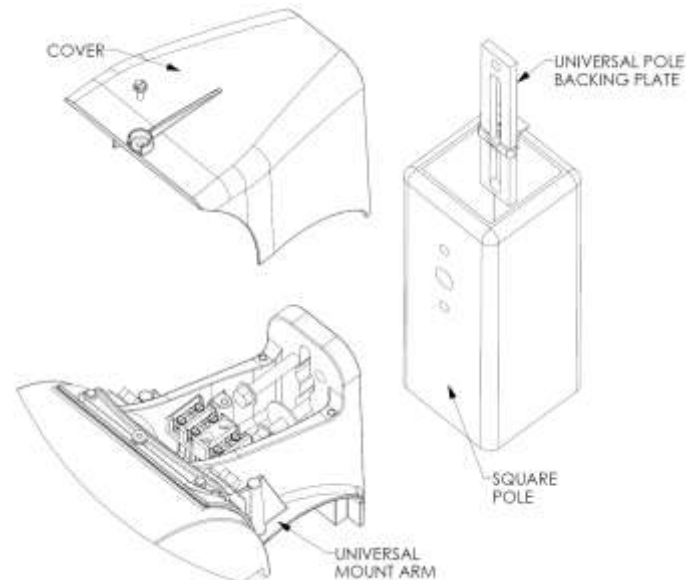
Figure 3



## 2.5 Universal Arm Mounting

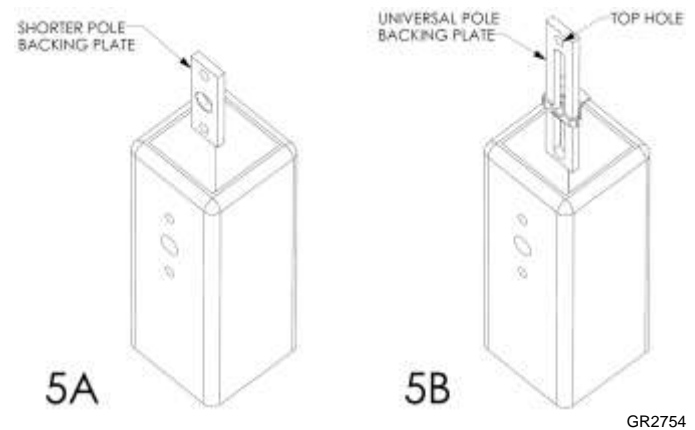
- 2.5.1 Loosen the screw holding the wire chamber cover in place and remove the cover. See Figure 4.

Figure 4



- 2.5.2 There are two Pole Backing Plates included in the installation kit. See Figure 5.
  - a. The shorter backing plate has 3 holes. The top and bottom holes are threaded.
  - b. The longer universal backing plate has 1 top hole and a slot with a sliding threaded hole.

Figure 5



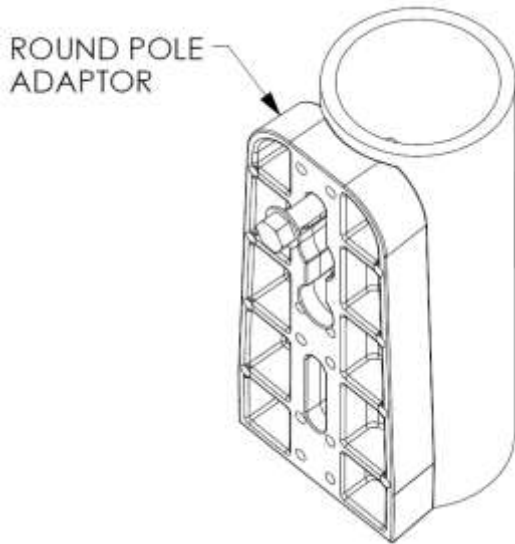
- 2.5.3 Hold the first bar (See Figure 5a) with 3 holes up to the mounting holes on the pole and if they align use that bar. Use the bar (See Figure 5b) with the sliding thread for all other patterns.

Insert one 3/8" mounting bolt through the top hole of the pole. Thread this bolt into the flat bar (See Figure 5a) stock top hole. If the pole has a different hole pattern, use the bar (See Figure 5b) with the slide on it.

For a round pole, the round pole adapter (RPA) is required which is placed between the pole and the fixture as shown with curved side facing the pole and flat side facing away from pole (See Figure 6).

**NOTE:** When using the Round Pole Adaptor, use a round pole with a minimum diameter of 3.2 inches.

Figure 6

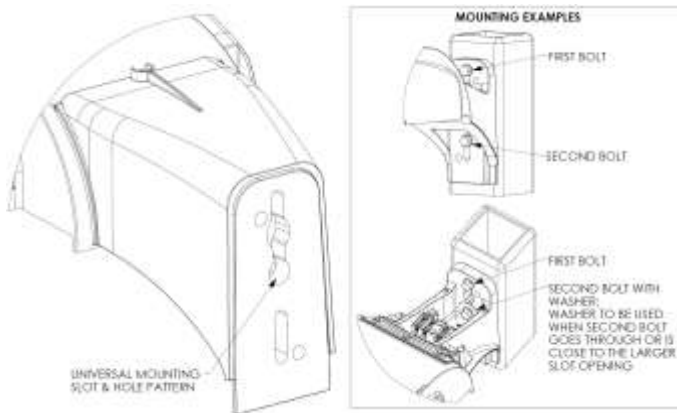


GR2755

**2.5.4** The universal arm is supplied with slot patterns that align with a variety of existing pole mounting drill patterns. The top hole of the luminaire arm has a key hole slot.

Place the luminaire onto the top bolt by passing the head through the key slot and resting the luminaire down securely in place. See Figure 7.

Figure 7



GR2756

**WARNING:** THE LUMINAIRE IS NOT COMPLETELY LOCKED DOWN YET. SPECIAL CARE MUST BE TAKEN TO AVOID JARRING THE LUMINAIRE FROM ITS RESTING POINT, OTHERWISE THE LUMINAIRE COULD FALL AND CAUSE SERIOUS INJURY OR DEATH!

Ensure the luminaire is resting securely on the top bolt. Snug the bolt but do not completely tighten. Thread the second bolt through the arm slots and into the available threaded hole of the mounting bar (See

Figure 7). Use a washer with the second bolt when the second bolt completely or partially goes through the larger slot openings as shown in Figure 7.

**2.5.5** The universal arm is supplied with a clearance slots in the back to allow wires to be pulled into the pole on existing hole patterns. Insert the wires through the clearance slots and pull them into the pole.

**2.5.6** Ensure luminaire is straight/level making sure that no wires are pinched, tighten the two bolts with a bolt socket to 22-24 ft-lbs. Make sure that wires are not pinched and tuck excess wire into the arm mounting area.

**2.5.7** Follow steps 2.2.5 to 2.2.7.

## 2.6 Photocontrol Option

Skip to next step if unit does not have a photocontrol receptacle.

**2.6.1** Locate the photocontrol receptacle on the top of the unit and remove protective cover. Loosen the two screws and rotate the receptacle until it points north. Retighten the screws. Install a twist-on type photocontrol into the receptacle.

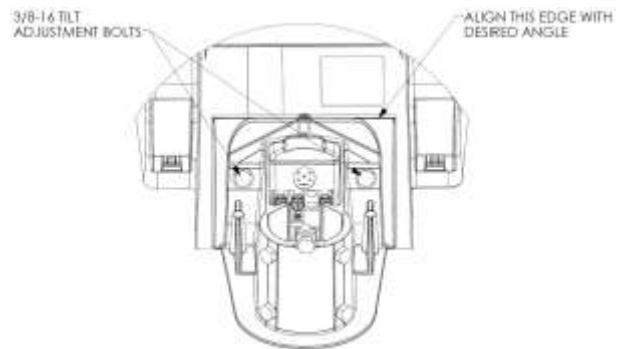
## 2.7 Tilt Adjustment

**2.7.1** Loosen the tilt adjustment bolts until the body of the fixture is free to rotate on the flange of the fitter.

**2.7.2** Using the top of the fitter flange as a guide, rotate the fixture body to the desired tilt setting. See figure 8.

**2.7.3** Tighten the bolts to 35-45 ft-lbs.

Figure 8



GR2757

## 3 MAINTENANCE

### 3.1 Maintaining & Cleaning of Luminaire

**3.1.1** Check and ensure the tilt adjustment bolts shown in Figure 8 are tightened within the 35-45 ft-lbs range.

**3.1.2** Wipe off exterior dirt and debris using a soft clean cloth. A mild detergent and water may be used if necessary.

**CAUTION**

DO NOT USE ABRASIVE CLEANERS ON OPTICAL SURFACES. THEIR USE MAY RESULT IN THE LOSS OF OPTICAL EFFICIENCY.

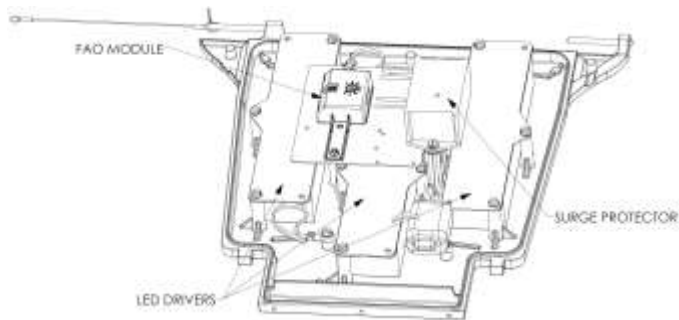
**3.2 Electrical Component Replacement**

**3.2.1** Disconnect power to the unit prior to opening and performing any maintenance.

**3.2.2 Surge Protector Replacement:** See Figure 9. Locate the surge protector. Disconnect the surge protector via the wiring quick disconnects. Remove the screws holding the surge protectors in place and retain. Carefully remove the surge protector and install the new Holophane approved surge protectors in the same orientation with the original screws. Re-connect the surge protectors' quick disconnects.

**3.2.3** The LED driver/door assembly can be detached for repair by un-latching door latches, one cotter pin, and unplugging electrical connectors.

Figure 9



GR2758

**4 LIMITED WARRANTY AND LIMITATION OF LIABILITY**

Five-year limited warranty. Complete terms located at:  
[www.acuitybrands.com/resources/terms-and-conditions](http://www.acuitybrands.com/resources/terms-and-conditions)



Acuity Lighting Group, Inc.  
214 Oakwood Ave., Newark, OH 43055

IM-463 11/13 ©2019 Acuity Brands Inc.

Visit our web site at [www.holophane.com](http://www.holophane.com)