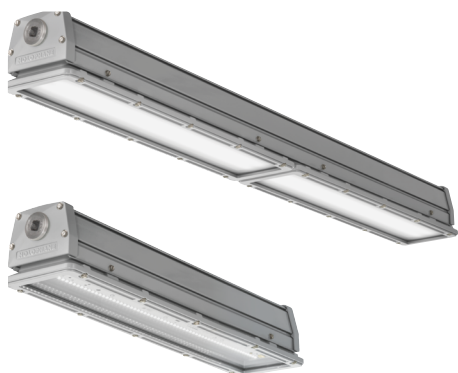


Catalog Number	
Notes	Type

Petrolux® EMXH LED

Hazardous Location for Demanding Environments



FEATURES & SPECIFICATIONS

Certain airborne contaminants can diminish the integrity of acrylic and/or polycarbonate. [Click here for Acrylic-Polycarbonate Compatibility table for suitable use.](#)

Certain airborne contaminants may adversely affect the functioning of LEDs and other electronic components, depending on various factors such as concentrations of the contaminants, ventilation, and temperature at the end-user location. [Click here for a list of substances that may not be suitable for interaction with LEDs and other electronic components.](#)

ENCLOSED CONSTRUCTION:

- Cast & Extruded Aluminum - Polyester Powder Coated
- 18-8 Stainless Steel Hardware
- 304 Stainless steel mounting bracket
- Molded Silicone Gasketing
- 3/4" threaded NPT end-caps standard
- Corrosion resistant super durable TGIC thermoset powder coat finish is a five-stage pre-treating and painting process that yields over 5,000 hours salt rating per ASTM B117.

OPTICS & LENS:

- Clear & Frosted Polycarbonate, .125" thick
- Clear & Frosted Tempered Glass, .125" thick

ELECTRICAL:

- MVOLT (120-277V)
- HVOLT (347-480V)
- 0-10V, 10% Dimming

INSTALLATION:

- Angle (wall or ceiling) with optional RMBA
- Pole (1½" trade size pipe) with optional RMBU
- Surface (ceiling) with standard mounting bracket or optional RMBK
- Surface (wall) with optional RMBK
- Suspended (chain or cable) with standard mounting bracket or optional RMBK

LISTING & RATINGS:

- CSA certified to meet US and Canadian standards
- Suitable for use in hazardous locations (CSA C22.2 No.137-18, UL844)
- Class I, Division 2, Group A, B, C, and D
- Class II, Division 2, Group F and G
- Class III
- IP65, IP66, IP69K rated per IEC60529
- IP67 rated with optional gasket kit
- IK rated (see chart on page 4)
- 1G vibration rating with standard mounting bracket
- 3G vibration rating with optional rigid mount bracket (RMBK) per ANSI C136.31 (see "Option Value Ordering Restrictions and Notes" on page 2 for details)
- FCC Title 47, Part 15, Subpart B
- 10kV/6kA Surge Rated per ANSI C82.77-5-2015
- -40°F (-40°C) to 140°F (60°C) ambient rating. (see chart on page 4)
- U.S. Patent No. D929015

DesignLights Consortium® (DLC) qualified product. Not all versions of this product may be DLC qualified. Please check the DLC Qualified Products List at www.designlights.org/QPL to confirm which versions are qualified.

BUY AMERICAN ACT — Product with the BAA option is assembled in the USA and meets the Buy America(n) government procurement requirements under FAR, DFARS and DOT regulations. Please refer to www.acuitybrands.com/buy-american for additional information.

WARRANTY — 5-year limited warranty. This is the only warranty provided and no other statements in this specification sheet create any warranty of any kind. All other express and implied warranties are disclaimed. Complete warranty terms located at: www.acuitybrands.com/support/warranty/terms-and-conditions

NOTE: Actual performance may differ as a result of end-user environment and application.

All values are design or typical values, measured under laboratory conditions at 25 °C.

Specifications subject to change without notice.



A+ Capable options indicated by this color background.

ORDERING INFORMATION

Lead times will vary depending on options selected. Consult with your sales representative.

Example: EMXH L48 6000LM FPCL WD MVOLT GZ10 40K 80CRI DGXD CR

Series	Length	Nominal Lumens	Diffuser	Distribution	Voltage	Driver	Color temperature	CRI
EMXH	L24 24"	3000LM 3,000 lumens	FPCL Flat Poly Clear, .125" thick	MD Medium WD Wide PGD Parking Garage	MVOLT 120-277, 50/60hz HVOLT 347-480V, 50/60hz	GZ10 0-10V dimming	30K 3000K 35K 3500K 40K 4000K 50K 5000K	80CRI 80 CRI 90CRI 90 CRI
		5000LM 5,000 lumens						
		7000LM 7,000 lumens						
		9000LM 9,000 lumens						
	L48 48"	6000LM 6,000 lumens	FGFL Flat Glass Frost, .125" thick FGCL Flat clear glass, .125" thick	120 120V, 50/60hz 277 277V, 50/60hz 347 347V, 50/60hz 480 480V, 50/60hz				
		10000LM 10,000 lumens						
		14000LM 14,000 lumens						
		18000LM 18,000 lumens						

Options	Finish †
<p>Other Options:</p> <p>BAA Buy America(n) Act Compliant</p> <p>IDS Independent Driver System †</p> <p>IP67 Semi-submersible gasket kit †</p> <p>RMBA Angled rigid mount bracket †</p> <p>RMBK Rigid mount bracket †</p> <p>RMBU Rigid mount U-bolt †</p> <p>SPD20KV 20kV Surge Protection Device 120V-277V †</p> <p>SPD20KVH 20kV Surge Protection Device 347V-480V †</p>	<p>DGXD CR Grey, Super durable, corrosion resistant</p> <p>DWHXD CR White, Super durable, corrosion resistant</p> <p>DBLXD CR Black, Super durable, corrosion resistant</p>
<p>Cordsets:</p> <p>CNP16WWL Cord, no plug, 3 conductors, 16 gauge, white, wet location, 6 feet</p> <p>CNP16WWL12FT Cord, no plug, 3 conductors, 16 gauge, white, wet location, 12 feet</p> <p>CNP165CDWWL Cord, no plug, 5 conductors for 0-10V dimming, white, wet location, 6 feet †</p>	
<p>Individual Sensors: †</p> <p>SBGR10 360° Low Mount Sensor, (8-15' mounting heights), on/off occupancy (LINK)</p> <p>SBGR10 D 3V 360° Low Mount sensor, (8-15' mounting heights), high/low occupancy dimming (bi-level) (LINK)</p> <p>SBGR10 P 360° Low Mount Sensor, (8-15' mounting heights), on/off photocell (LINK)</p>	

NOTE: † indicates option chosen has ordering restrictions. Please reference ordering restrictions chart.

Accessories: Order as separate catalog number.	
EMXRMBK	Rigid mount bracket (QTY of 1) †
EMXRMBK L24 3G	Rigid mount bracket kit for (L24) 2' fixtures, 3G rated (QTY of 2) †
EMXRMBK L48 3G	Rigid mount bracket kit for (L48) 4' fixtures, 3G rated (QTY of 3) †
EMXRMBK	Angle mount bracket (QTY of 2) †
EMXRMBU	Rigid mount U-bolt bracket (QTY of 2) †
EMXSMB	Replacement standard mounting brackets (QTY of 2) †

† Option Value Ordering Restrictions & Notes	
Option value	Restriction
CNP165CDWWL	Not available with SBGR10 D 3V.
EMXRMBK	Available for surface angle (wall or ceiling) mounting applications. Bracket can be set to 22.5°, 45° or 90° angles.
EMXRMBK	QTY of 1 RMBK bracket for replacement or add a third bracket for L48 3G vibration rated applications. A minimum QTY of 2 brackets are required to mount a fixture. For 3G applications, a QTY of 2 brackets is required for L24 (2FT) and a QTY of 3 brackets is required for L48 (4FT). Available for surface (ceiling or wall) and suspended (chain or cable) mounting applications.
EMXRMBK L24 3G	QTY of 2 brackets for L24 (2FT). Available for surface (ceiling or wall) and suspended (chain or cable) mounting applications. 3G vibration rated.
EMXRMBK L48 3G	QTY of 3 brackets for L48 (4FT). Available for surface (ceiling or wall) and suspended (chain or cable) mounting applications. 3G vibration rated.
EMXRMBU	Available for pole (1½" trade size pipe) mounting applications.
EMXSMB	Included with every fixture unless a different mounting option is chosen (RMBA, RMBK or RMBU). Available for surface (ceiling or wall) and suspended (chain or cable) mounting applications.
Finish	Corrosion resistant finish is standard.
IDS	Available with L48 only. Not available with individual controls. Each 24" section of a L48 fixture will have a separate driver and LED board that can be controlled independently.
Individual Sensors	Not available with IP67 option. Not CI, D2 rated. CII, D2, CIII and IP66 rated.
IP67	Not available with individual controls. Not IP67 rated if fixture is mounted facing upward as water can pool on the lens.
RMBA	Available for surface angle (wall or ceiling) mounting applications. Bracket can be set to 22.5°, 45° or 90° angles.
RMBK	A QTY of 2 brackets will be included for L24 (2FT) and a QTY of 3 brackets will be included for L48 (4FT). Available for surface (ceiling or wall) and suspended (chain or cable) mounting applications. 3G vibration rated.
RMBU	Available for pole (1½" trade size pipe) mounting applications.
SPD20KV	Not available in HVOLT.
SPD20KVH	Not available in MVOLT.

OPERATIONAL DATA (80 CRI*, MD, DWH***)**

Length	Package	Input Wattage	CCT	FPCL	FPFL	FGCL	FGFL
				Lumens (LPW)	Lumens (LPW)	Lumens (LPW)	Lumens (LPW)
L24	3000LM	20.0	30K	2862 (143)	2214 (110)	2879 (144)	2485 (124)
			35K	2920 (146)	2259 (113)	2937 (147)	2536 (126)
			40K	3193 (159)	2470 (123)	3212 (160)	2773 (138)
			50K	3094 (154)	2393 (119)	3112 (155)	2687 (134)
	5000LM	33.2	30K	4670 (141)	3613 (109)	4698 (141)	4056 (122)
			35K	4765 (143)	3686 (111)	4793 (144)	4138 (125)
			40K	5211 (157)	4032 (121)	5243 (158)	4526 (136)
			50K	5049 (152)	3906 (118)	5079 (153)	4385 (132)
	7000LM	46.3	30K	6304 (136)	4877 (105)	6342 (137)	5475 (118)
			35K	6432 (139)	4976 (107)	6470 (140)	5586 (121)
			40K	7035 (152)	5442 (118)	7077 (153)	6110 (132)
			50K	6815 (147)	5272 (114)	6856 (148)	5919 (128)
	9000LM	62.5	30K	8234 (132)	6370 (102)	8283 (133)	7151 (114)
			35K	8401 (134)	6499 (104)	8451 (135)	7296 (117)
			40K	9189 (147)	7108 (114)	9244 (148)	7980 (128)
			50K	8902 (142)	6887 (110)	8956 (143)	7732 (124)
L48	6000LM	39.5	30K	5598 (142)	4331 (110)	5632 (143)	4862 (123)
			35K	5712 (145)	4419 (112)	5746 (145)	4961 (126)
			40K	6247 (158)	4833 (122)	6285 (159)	5426 (137)
			50K	6053 (153)	4682 (118)	6089 (154)	5257 (133)
	10000LM	66.6	30K	9476 (142)	7331 (110)	9533 (143)	8230 (124)
			35K	9669 (145)	7480 (112)	9727 (146)	8397 (126)
			40K	10575 (159)	8181 (123)	10638 (160)	9184 (138)
			50K	10245 (154)	7926 (119)	10307 (155)	8898 (134)
	14000LM	90.0	30K	12570 (140)	9724 (108)	12645 (140)	10917 (121)
			35K	12825 (142)	9921 (110)	12901 (143)	11138 (124)
			40K	14027 (156)	10851 (121)	14111 (157)	12182 (135)
			50K	13590 (151)	10513 (117)	13671 (152)	11803 (131)
	18000LM	121.8	30K	16070 (132)	12432 (102)	16166 (133)	13957 (115)
			35K	16396 (135)	12684 (104)	16494 (135)	14240 (117)
			40K	17933 (147)	13873 (114)	18040 (148)	15575 (128)
			50K	17374 (143)	13441 (110)	17478 (143)	15089 (124)

* For 90CRI, reduce lumen output by 17.5%

** For WD reduce output by 5.9%, PGD reduce output by 10.8%

*** For DGXD reduce output by 7.1%, DBL reduce output by 11.4%

LAT TABLE

Ambient Temp °C	L24				L48			
	3000LM	5000LM	7000LM	9000LM	6000LM	10000LM	14000LM	18000LM
25°C	1.00	1.00	1.00	1.00	1.00	1.00	1.00	1.00
30°C	0.99	0.99	0.99	0.99	0.99	0.99	0.99	0.99
35°C	0.99	0.99	0.99	0.98	0.99	0.98	0.98	0.98
40°C	0.98	0.98	0.98	0.98	0.98	0.98	0.98	0.98
45°C	0.97	0.97	0.97	0.97	0.97	0.97	0.97	0.97
50°C	0.96	0.96	0.96	0.96	0.96	0.96	0.96	0.96
55°C	0.96	0.96	0.95	0.95	0.95	0.95	0.95	0.95
60°C	0.95	0.95	0.95	0.95	0.95	0.95	0.95	0.94
65°C	0.94	0.94	NA	NA	0.94	0.94	NA	NA
70°C	NA	NA	NA	NA	0.93	0.93	NA	NA

CSA LISTED AMBIENT RATING*

		Standard	SBGR Sensor
L24	3000LM	65°C	60°C
	5000LM	65°C	60°C
	7000LM	60°C	60°C
	9000LM	60°C	60°C
L48	6000LM	65°C	60°C
	10000LM	65°C	60°C
	14000LM	60°C	60°C
	18000LM	60°C	50°C

*Minimum Ambient is -40°C unless noted

NUMBER OF BOARDS AND DRIVERS

Lumen Package	Fixture Length	Number of Boards	Number of Drivers
3000LM	L24	1	1
5000LM		1	1
7000LM		1	1
9000LM		1	1
6000LM	L48	2	1
10000LM		2	1
14000LM		2	1
18000LM		2	2

IMPACT RESISTANCE (IK RATINGS)

Lens Type	Rating
Poly (FPFL/FPCL)	IK10
Clear Glass (FGCL)	IK08
Frosted Glass (FGFL)	IK05

AMBIENT TEMPERATURE AND T-CODE

Length (foot)	lumen (lm)	Max Amb. Temp. (°C)	Supply Wire Temp. (°C)	Class I, Div. 2	Class II, Div. 2, Group F, G	Simultaneous Class I, Div. 2, Class II Div. 2, Group F, G; Class III
2ft/4ft	≤10,000	40°C	90°C	T6	T6	T6
		50°C		T6	T6	
		55°C		T5	T6	T5
		60°C		T5	T5	T5
4ft		65°C		T5	T5	T5
4ft	10,000 < 18,000	40°C	90°C	T5	T6	T5
		50°C		T4A	T6	T4A
		55°C		T4A	T6	T4A
		60°C		T4A	T5	T4A

LUMEN MAINTENANCE*

		Operating Hours					
		0	15,000	30,000	45,000	60,000	100,000
L24	3000LM	100.0%	96.7%	94.1%	91.5%	88.9%	82.6%
	5000LM	100.0%	96.7%	94.1%	91.5%	88.9%	82.6%
	7000LM	100.0%	96.7%	94.1%	91.5%	88.9%	82.6%
	9000LM	100.0%	96.4%	93.8%	91.2%	88.7%	82.3%
L48	6000LM	100.0%	96.7%	94.1%	91.5%	88.9%	82.6%
	10000LM	100.0%	96.7%	94.1%	91.5%	88.9%	82.6%
	14000LM	100.0%	96.7%	94.1%	91.5%	88.9%	82.6%
	18000LM	100.0%	96.4%	93.7%	91.2%	88.6%	82.3%

*Data projected for 25°C ambient

EMXH LED

Low-Profile Enclosed and Gasketed



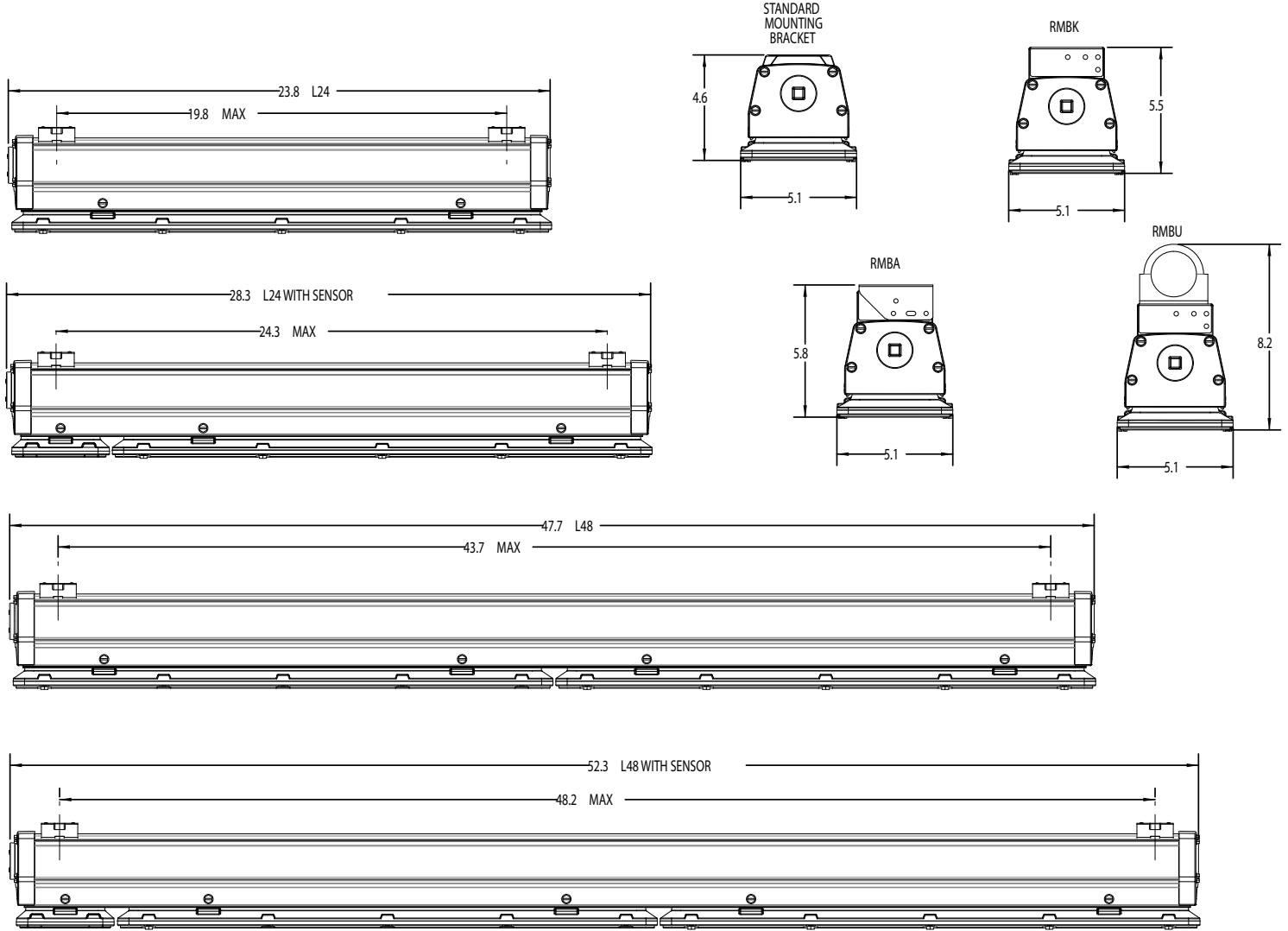
DIMENSIONS

Specifications subject to change without notice.
All dimensions are in inches unless otherwise indicated.

CONFIGURATION WEIGHTS

	Standard	w/ Sensor
L24	10.9 lbs	11.5 lbs
L48	19.4 lbs	20.0 lbs

Weight may vary with options and accessories



OPTIONS AND ACCESSORIES

Standard Mount Bracket



(ceiling, suspended)

Included with the fixture unless one of the following 3 options are chosen.

RMBK Bracket



(ceiling, wall, suspended)

2' (L24) fixtures require 2 brackets and 4' (L48) fixtures require 3 brackets for 3G rating.

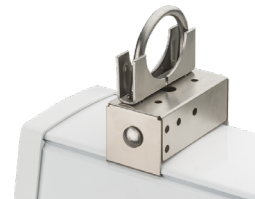
RMBA Bracket



(angled)

Bracket can be set to 22.5°, 45° or 90° angles.

RMBU Bracket



(pole)

1 1/2" Trade size Pipe mounting

SBGR Sensor

