

DESCRIPTION

High efficacy low profile track fixture ideal for accent and display lighting applications. Featuring die cast construction with a simple low profile design. These lampholders are perfect for those applications where performance is required from a discreet source.

Catalog #		Type
Project		
Comments		Date
Prepared by		

SPECIFICATION FEATURES

Quick Lock Adapter

Attaches electrically and mechanically anywhere along the track. Includes discrete locking tab that locks the luminaire on the track and allows for easy removal and repositioning.

Driver Housing

Die-cast and extruded aluminum housing incorporates the lamp control circuit.

Heat Sink

Aluminum die-cast heat sink provides exceptional thermal management to yield 70% lumen maintenance after 50,000 hours of operation.

Luminaire Arm

Arm allows the lamp housing tilt to adjust +/- 90° horizontally. This enables the ballast housing to remain static on the track creating a clean look while providing full aiming capabilities.

LED Light Engine

Equipped with (15) 3-Watt white LEDs. Configurable optic allows for 4 optical distributions and can be changed in the field to adjust to the current lighting need. CRI of 85.

Compliance

- UL/cUL listed for use with Halo Power-Trac and Lazer Track.
- UL/cUL classified for Juno [See Footnote #1 in Ordering Information], Lightolier [See Footnote #2], and Global [See Footnote #3] TEK/HTEK Track.
- DesignLights™ consortium qualified. Refer to www.designlights.org qualified products list for details.

Dimming

The L806HO and L807HO are dimmable to 5% using triac dimmers. Dimming only available with 120V configurations.



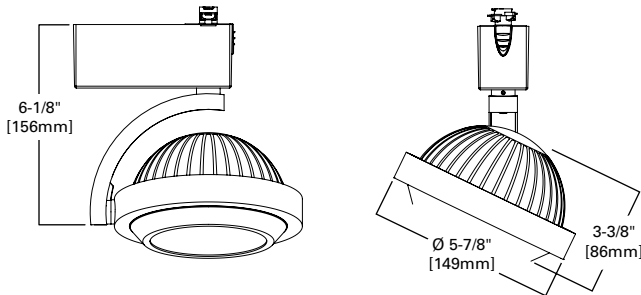
L806HO



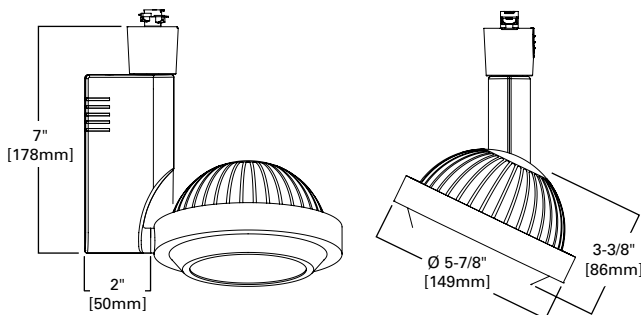
L807HO
Halo LED

34W

L806HO



L807HO



3000 K	CBCP
Spot 11°	32,900
Wide Spot 18°	26,250
Narrow Flood 25°	10,800
Flood 45°	4,600

Lighting Data 3000 K

Lumens:	2600
Lumens per watt:	76

Energy Data:

Input Power:	34.12W
Power Factor:	>.9
Input Current:	0.30 Amps

ORDERING INFORMATION

SAMPLE NUMBER: L806SP830AH (Halo or Lazer Track connector, Spot Distribution, 3000K, with Aluminum Haze Finish)

Track	LED	Beam	CRI	CCT	Finish	Voltage	Trim Ring
L=Halo and Lazer Power-Trac LJ=Juno® Track¹ LL=Lightolier® Track² L2G=Global® TEK or HTEK³,⁴	806HO=806HO 807HO=807HO	FL=Flood 45° NF=Narrow Flood 25° WS=Wide Spot 16° SP=Spot 11°	80=80 min	27=2700K 30=3000K 40=4000K	AH=Aluminum Haze MB=Black P=White	277=277 VAC (Only with HTEK) [Blank]=120V	[Blank]=Existing/Short Snoot LS=Long Snoot

Accessories (order separately)

- OPK8067HOSP=Kit, Optics 806HO, 807HO, Spot
- OPK8067HOWS=Kit, Optics 806HO, 807HO, Wide Spot
- OPK8067HONF=Kit, Optics 806HO, 807HO, Narrow Flood
- OPK8067HOFL=Kit, Optics 806HO, 807HO, Flood

NOTES: 1. Juno® T single circuit and 2-circuit track contact. Juno® is a registered trademark of Juno® Lighting. 2. Lightolier® Lyfespan 6000 single circuit and 2 circuit track contact. Lightolier® is a registered trademark of Philips Lighting. 3. Global® is a registered trademark of Nordic Aluminum. 4. L2G track it is only available for the 807.

PHOTOMETRY

CCT= 3000K
4000K Multiplier= 1.25

	0° Aiming Angle Horizontal Footcandles				30° Aiming Angle Horizontal Footcandles					30° Aiming Angle Vertical Footcandles on Wall				
	D	FC	L	W	D	FC	L	W	CB	D	FC	L	W	CB
Spot: 11°	4	2055	1.4	1.4	4	1335	1.6	1.5	2.3	2	1196	2.2	1.1	3.5
CBCP: 32,900	7	671	2.4	2.4	7	436	2.8	2.6	4	4	299	4.4	2.3	6.9
Lumens: 2499	9	406	3.1	3.1	9	264	3.5	3.3	5.2	6	133	6.6	3.4	10.4
LPW: 73	13	195	4.5	4.5	13	126	5.1	4.8	7.5	10	48	11	5.7	17.3
	16	128	5.5	5.5	16	83	6.3	5.9	9.2	12	33	13.2	6.9	20.8
Wide Spot: 16°	4	1641	1.5	1.5	4	1066	2.1	1.8	2.3	2	896	2.7	1.5	3.5
CBCP: 26250	7	536	2.6	2.6	7	348	3.6	3.2	4	4	224	5.4	2.9	6.9
Lumens: 2609	9	324	3.4	3.4	9	211	4.7	4.1	5.2	6	100	8.1	4.4	10.4
LPW: 76	13	155	4.9	4.9	13	101	6.7	5.9	7.5	10	36	13.4	7.3	17.3
	16	103	6	6	16	67	8.3	7.2	9.2	12	25	16.1	8.8	20.8
Narrow Flood: 25°	4	676	2.7	2.7	4	447	3.4	3.1	2.3	2	464	3.8	2.3	3.5
CBCP: 10800	7	221	4.7	4.7	7	146	6	5.4	4	4	116	7.6	4.7	6.9
Lumens: 2663	9	133	6.1	6.1	9	88	7.7	6.9	5.2	6	52	11.4	7	10.4
LPW: 77	13	64	8.8	8.8	13	42	11.1	9.9	7.5	10	19	18.9	11.7	17.3
	16	42	10.8	10.8	16	28	13.7	12.2	9.2	12	13	22.7	14.1	20.8
Flood: 45°	4	287	4.3	4.3	4	221	5.1	4.7	2.3	2	347	3.8	3.2	3.5
CBCP: 4600	7	94	7.5	7.5	7	72	8.9	8.2	4	4	87	7.5	6.3	6.9
Lumens: 2794	9	57	9.6	9.6	9	44	11.5	10.5	5.2	6	39	11.3	9.5	10.4
LPW: 80	13	27	13.9	13.9	13	21	16.5	15.2	7.5	10	14	18.8	15.8	17.3
	16	18	17.1	17.1	16	14	20.4	18.7	9.2	12	10	22.5	19	20.8

Notes and Definitions

- Beam spread is to 50% center beam candlepower (CBCP).
- D= Distance in feet to floor or wall.
- FC= Footcandles on floor or wall at center beam aiming location.
- L= Effective Visual Beam length in feet (50% of maximum footcandle level)
- W= Effective Visual Beam width in feet (50% of maximum footcandle level)
- CB= Distance in feet across or down to center beam location

