

## DESCRIPTION

Recessed 6-inch LED square downlight with field interchangeable optics deliver narrow, medium and wide distribution patterns ideal for general area lighting. Luminaire is airtight and can be installed in new construction or below the ceiling in renovation applications. Field selectable color temperatures and lumen packages providing additional flexibility. Intended applications include professional offices, healthcare, hospitality, schools, house of worship and other institutional uses.

Catalog #		Type
Project		
Comments		Date
Prepared by		

## SPECIFICATION FEATURES

### Housing Frame

- Boat shaped galvanized steel plaster frame with adjustable square plaster lip accommodates 1/2" to 1-1/2" thick ceilings
- May be installed in new construction; or from below the ceiling in non-accessible ceilings and in remodeling
- Provided with (4) remodel clips to secure the frame when installing from below the ceiling

### Universal Mounting Bracket

- Mounting bracket adjusts 2" vertically from above the ceiling or thru the aperture
- Use with included mounting bars or 1/2" EMT
- Removable to facilitate installation from below the ceiling

### Mounting Bars

- Captive preinstalled No Fuss™ mounting bars lock to tee grid with screwdriver or pliers
- Centering mechanism allows for consistent positioning of fixtures

### LED Module

- Patented SeleCCTable™ technology allows color temperature and lumen output to be selected in the field
- Discrete (fixed) lumen output is also available to meet lighting power density code requirements
- Available in 80 CRI minimum with color accuracy within 3 SDCM (refer to chromaticity tech sheet online for details [www.eaton.com/lighting](http://www.eaton.com/lighting))
- Integral connector allows for quick connection to the housing flex
- Passive cooling achieves L70 at 50,000 hours

### Primary Optic

- Precision molded square TIR (Total Internal Reflection) optics deliver highly efficient and uniform patterns
- Available in narrow, medium and wide distribution and can be interchanged without tools

### Reflector

- Self-flanged downlight reflectors are available in shallow and deep regression
- Linear spread lens wall wash reflector matches tall downlight profile
- Reflectors are of non-conductive polymer construction, and may be used to meet local code requirements for 'dead front'
- Reflectors attach to LED module with (3) speed clamps
- Multiple painted or plated finishes are available

### Reflector Retention

- Reflector / module assembly is securely retained in the housing with (2) torsion springs

### Driver

- Field replaceable constant current driver provides low noise operation
- UNV 120-277VAC 50/60Hz input standard
- Continuous, flicker-free 1% dimming with 0-10V analog control
- Optional low voltage DC driver for use with Eaton's DLVP distributed low voltage power system\*

### Emergency Option

- Provides 90 minutes of standby lighting meeting most life safety codes for egress lighting
- Available with remote charge indicator and test switch

### Connected Lighting System Options\*

- WaveLinX tile mount daylight sensor includes control module, sensor and cable providing comprehensive lighting control
- LumaWatt Pro (powered by Enlighted) wireless tile mount sensor and control kit

### Junction Box

- Galvanized steel junction box
- 20 in<sup>3</sup> internal volume excluding voltage barrier
- 25 in<sup>3</sup> internal total volume
- Voltage divider for 0-10V dimming wires [occupies (1) 1/2" pry-out space]

- Listed for (8) #12 AWG (four in, four out) 90° C conductors and feed-thru branch wiring
- (3) 1/2" and (2) 3/4" trade size pry-outs available
- (3) 4-port push wire nuts for mains voltage, with 1-port for fixture connection

### Compliance

- cULus damp location listed, wet location listed in protected ceilings and IP20 - Above finished ceiling; IP64 - Below finished ceiling
- Fixed factory set 1000 and 1500 lm housing frames are Type IC thermally protected and suitable for direct contact to air permeable insulation
- Not for use in direct contact with spray foam insulation, consult NEMA LSD57-2013
- All field selectable 1000, 1500, 2000, 3000 and 4000 lm FS12 and FS24 housing frames are non-IC rated, insulation must be kept 3" from top and sides
- Airtight per ASTM-E283-04
- Suitable for use in clothes closets when installed in accordance with the NEC 410.16 spacing requirements
- EMI/RFI emissions per FCC 47CFR Part 15 non-consumer limits
- Contains no mercury or lead and RoHS compliant
- Photometric testing in accordance with IES LM-79-08
- Lumen maintenance projections in accordance with IES LM-80-08 and TM-21-11
- Can be used to comply with the State of California Title 24 non-residential lighting controls requirements as a LED luminaire
- ENERGY STAR® listed for commercial applications, reference certified light fixtures database

### Warranty

- Five year limited warranty, consult website for details. [www.eaton.com/lighting/legal](http://www.eaton.com/lighting/legal)

\*Refer to DLVP, WaveLinX and LumaWatt Pro specifications and design guides online.



**PRS6**

**SM6**

**61S**

**64S**

**6-inch Square  
Lens Downlight  
and Lens Wall Wash**

**Featuring  
SeleCCTable™ color  
temperature  
AND  
Selectable lumen**

**1000/1500/2000/  
3000/4000 Lumen**



## ENERGY DATA

### SM6128FS LED MODULE LOW LUMEN RANGE

Series	1000 lumen	
	Input Voltage 120-277VAC	120V
Input Current (A)	0.089	0.043
Input Power (W)	10.5	11
In-rush (A)	8.9	22.2
In-rush Duration (ms)	0.145	0.118
THD (%)	<15.1	<16.7
PF	≥ 0.98	≥ 0.92
Minimum starting temperature -40 C (-40 F)		
Sound Rating: Class A standards		

Series	1500 lumen	
	Input Voltage 120-277VAC	120V
Input Current (A)	0.112	0.052
Input Power (W)	13.4	13.8
In-rush (A)	9.9	24.8
In-rush Duration (ms)	0.198	0.107
THD (%)	<13.3	<15.5
PF	≥ 0.98	≥ 0.94
Minimum starting temperature -40 C (-40 F)		
Sound Rating: Class A standards		

Series	2000 lumen (low lumen)	
	Input Voltage 120-277VAC	120V
Input Current (A)	0.178	0.079
Input Power (W)	21.3	21.4
In-rush (A)	8	19.1
In-rush Duration (ms)	0.185	0.133
THD (%)	<8.2	<10.6
PF	≥ 0.99	≥ 0.97
Minimum starting temperature -40 C (-40 F)		
Sound Rating: Class A standards		

### SM6248FS LED MODULE HIGH LUMEN RANGE

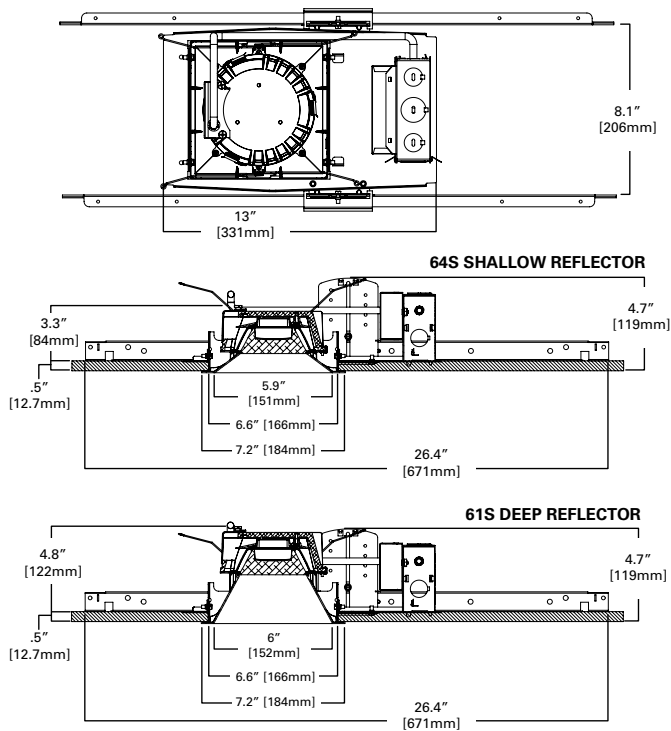
Series	2000 lumen (high lumen)	
	Input Voltage 120-277VAC	120V
Input Current (A)	0.176	0.081
Input Power (W)	21	21.2
In-rush (A)	15.3	32.1
In-rush Duration (ms)	0.237	0.12
THD (%)	<11	<13.6
PF	≥ 0.99	≥ 0.94
Minimum starting temperature -40 C (-40 F)		
Sound Rating: Class A standards		

Series	3000 lumen	
	Input Voltage 120-277VAC	120V
Input Current (A)	0.225	0.101
Input Power (W)	26.9	27
In-rush (A)	11.6	27.9
In-rush Duration (ms)	0.187	0.081
THD (%)	<9.05	<11.8
PF	≥ 0.99	≥ 0.96
Minimum starting temperature -40 C (-40 F)		
Sound Rating: Class A standards		

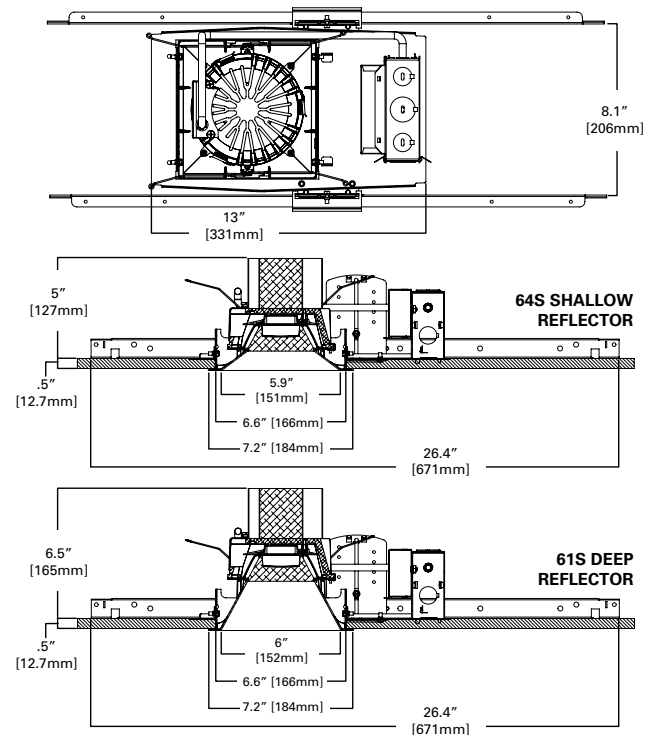
Series	4000 lumen	
	Input Voltage 120-277VAC	120V
Input Current (A)	0.332	0.145
Input Power (W)	39.8	39.4
In-rush (A)	12.8	27.5
In-rush Duration (ms)	0.211	0.107
THD (%)	<5.9	<8.8
PF	≥ 0.99	≥ 0.98
Minimum starting temperature -40 C (-40 F)		
Sound Rating: Class A standards		

## DIMENSIONS

### 6", LOW LUMEN MODULE (1000 - 1500 - 2000 LUMEN)



### 6", HIGH LUMEN MODULE (2000 - 3000 - 4000 LUMEN)



### MAX HEIGHT (above finished ceiling)

LED MODULE	SM6128FS low lumen module	SM6248FS high lumen module
LUMEN RANGE	1000-1500-2000 Lumens	2000-3000-4000 Lumens
61S Deep Reflector	4.8"	6.5"
64S Shallow Reflector	4.2" (3.3" w/out bar bracket)	5.0"

## Ordering Information

**Sample Number:** PRS6FS24D010REM7 - SM6248FS - 61SMDH

A complete luminaire consists of a mounting frame, LED module, and reflector (order separately)

### Ordering Information, 120-277VAC, 0-10V analog dimming

Housing Frame	Lumens	Input / Control	Options
<b>PRS6</b> = 6" square new construction and remodeler housing	<p><b>Field Selectable</b>  <b>FS12</b> = field selectable 1000, 1500 and 2000 lumens (nominal), use with SM6128FS LED module  <b>FS24</b> = field selectable 2000, 3000 and 4000 lumens (nominal), use with SM6248FS LED module</p> <p><b>Fixed, Factory Set</b>  <b>10</b> = 1000 lumens (nominal), use with SM6128FS LED module (Type IC rated)  <b>15</b> = 1500 lumens (nominal), use with SM6128FS LED module (Type IC rated)  <b>30</b> = 3000 lumens (nominal), use with SM6248FS LED module</p>	<b>D010</b> =120-277VAC, 50/60Hz, 0-10V analog 1% dimming	<p><b>REM7</b>=7 watt emergency module with remote test / indicator light, use with D010 only  <b>REM14</b>=14 watt emergency module with remote test / indicator light, use with D010 only  <b>LWTPD1</b>=Factory installed LumaWatt Pro wireless tile mount sensor kit, D010 only  <b>SWPD1</b>=Factory installed WaveLinX tile mount daylight sensor, includes control module, sensor and cable, D010 only</p>

### Ordering Information, Distributed Low Voltage Power - for use with Eaton DLVP system only

Housing Frame	Lumens	Input / Control	Options
<b>PRS6</b> = 6" square new construction and remodeler housing	<p><b>Fixed, Factory Set</b>  <b>10</b> = 1000 lumens (nominal), use with SM6128FS LED module (Type IC rated)  <b>15</b> = 1500 lumens (nominal), use with SM6128FS LED module (Type IC rated)  <b>20</b> = 2000 lumens (nominal), use with SM6128FS LED module  <b>30</b> = 3000 lumens (nominal), use with SM6248FS LED module  <b>40</b> = 4000 lumens (nominal), use with SM6248FS LED module</p>	<b>DLV</b> =distributed low voltage driver, 1%-100% dimming. DLV for use with Eaton's DLVP system only. Refer to DLVP low-voltage power module and DLVP specifications for details.	<p><b>REM7V</b> = 7 watt emergency module with remote test / indicator light, use with DLV only  <b>REM14V</b> = 14 watt emergency module with remote test / indicator light, use with DLV only</p>

### Accessories

**HB128APK**=L channel hanger bar, 26", pair (replacement)  
**RMB22**=Adjustable wood joist mounting bars, pair, extend to 22" long  
**H347**=347 to 120V step down transformer, 75VA  
**H347200**=347 to 120V step down transformer, 200VA  
**PORLWTPD1**=LumaWatt Pro wireless sensor kit, field installed, D010 only  
**TWSWPD1**=WaveLinX wireless sensor kit, field installed, D010 only

LED Module	Lumens	CRI/CCT
<b>SM6</b> = 6" LED module.	<p><b>12</b>=Field selectable 1000, 1500 and 2000 lumens (nominal), preset for 2000 lumens, use with PRS6FS12*, PRS610*, PRS615*, PRS620* housings  <b>24</b>=Field selectable 2000, 3000 and 4000 lumens (nominal), preset for 4000 lumens, use with PRS6FS24*, PRS620*, PRS630*, PRS640* housings</p>	<b>8FS</b> =80 CRI (minimum), field selectable 3000, 3500 and 4000 CCT, preset for 3500K

Reflector - Deep	Distribution <sup>2</sup>	Finish	Flange	Accessories
<b>61S</b> = 6" square reflector, non-conductive polymer, use with SM6 modules only	<p><b>ND</b> = narrow, TIR lens included (58° beam angle, 0.84 SC)  <b>MD</b> = medium, TIR lens included (68° beam angle, 1.0 SC)  <b>WD</b> = wide, TIR lens included (80° beam angle, 1.3 SC)  <b>WW</b> = linear spread lens wall wash, insert included</p>	<p><u>Vacuum Metallized</u>  <b>C</b> = Specular clear  <b>H</b> = Semi-specular clear (haze)</p> <p><u>Painted</u>  <b>MB</b> = Matte black  <b>MW</b> = Matte white</p>	<p><b>Blank</b> = Vacuum Metallized flange standard on C, H reflectors  <b>Blank</b> = White flange on MW reflectors  <b>Blank</b> = Black flange on MB reflectors  <b>WF</b> = White flange option available with C, H, MB reflectors</p>	<p><b>TIR6SND</b> = narrow distribution TIR lens for 6" reflectors<sup>1</sup>  <b>TIR6SMD</b> = medium distribution TIR lens for 6" reflectors<sup>1</sup>  <b>TIR6SWD</b> = wide distribution TIR lens for 6" reflectors<sup>1</sup>  <b>S6DWW</b> = wall wash replacement insert for 6" wall wash reflector</p>

Reflector - Shallow	Distribution <sup>2</sup>	Finish	Flange	Accessories
<b>64S</b> = 6" square shallow reflector, non-conductive polymer, use with SM6 modules only	<p><b>ND</b> = narrow with TIR lens included (59° beam angle, 0.84 SC)  <b>MD</b> = medium with TIR lens included (70° beam angle, 0.98 SC)  <b>WD</b> = wide with TIR lens included (103° beam angle, 1.35 SC)</p>	<p><u>Vacuum Metallized</u>  <b>C</b> = Specular clear  <b>H</b> = Semi-specular clear (haze)</p> <p><u>Painted</u>  <b>MB</b> = Matte black  <b>MW</b> = Matte white</p>	<p><b>Blank</b> = Vacuum Metallized flange standard on C, H reflectors  <b>Blank</b> = White flange on MW reflectors  <b>Blank</b> = Black flange on MB reflectors  <b>WF</b> = White flange option available with C, H, MB reflectors</p>	<p><b>TIR6SND</b> = narrow distribution TIR lens for 6" reflectors<sup>1</sup>  <b>TIR6SMD</b> = medium distribution TIR lens for 6" reflectors<sup>1</sup>  <b>TIR6SWD</b> = wide distribution TIR lens for 6" reflectors<sup>1</sup></p>

### Notes:

- TIR lenses for replacement - field interchangeable
- Values are nominal for white reflectors, others may vary.

**PHOTOMETRY - DEEP REFLECTORS 61S SERIES**  
**NARROW DISTRIBUTION - SPECULAR CLEAR FINISH, 2000 LUMEN MODEL, 80 CRI, 3500K**

NARROW (52° BEAM*)		CANDLEPOWER DISTRIBUTION		CONE OF LIGHT				CANDELA TABLE		ZONAL LUMEN SUMMARY			LUMINANCE	
Test Number	P238270							Degrees Vertical	Candela	Zone	Lumens	% Fixture	Average Candela Degrees	Average 0° Luminance
Housing	PRS6FS12D010							0	2949	0-30	1608	67.3	45	12549
Module	SM6128FS			5	2855	0-40	2123	88.9						
Reflector	61SNDC			15	2309	0-60	2383	99.8	55	3258				
Lumens	2388 Lm			25	1577	0-90	2388	100						
Efficacy	119.4 Lm/W			35	859	90-180	0	0	75	0				
SC	0.79	45	206	0-180	2388	100								
UGR	12.9	55	43				85	0						
		65	0											
		75	0											
		85	0											
		90	0											
				MH	FC	L	W							
				5.5'	97.5	4.2	4.2							
				7'	60.2	5.4	5.4							
				8'	46.1	6.2	6.2							
				9'	36.4	7	7							
				10'	29.5	7.8	7.8							
				12'	20.5	9.4	9.4							

**MEDIUM DISTRIBUTION - SPECULAR CLEAR FINISH, 2000 LUMEN MODEL, 80 CRI, 3500K**

MEDIUM (62° BEAM*)		CANDLEPOWER DISTRIBUTION		CONE OF LIGHT				CANDELA TABLE		ZONAL LUMEN SUMMARY			LUMINANCE	
Test Number	P238285							Degrees Vertical	Candela	Zone	Lumens	% Fixture	Average Candela Degrees	Average 0° Luminance
Housing	PRS6FS12D010							0	2408	0-30	1452	62.7	45	14011
Module	SM6128FS			5	2364	0-40	1996	86.2						
Reflector	61SMDC			15	2019	0-60	2311	99.8	55	4234				
Lumens	2316 Lm			25	1444	0-90	2316	100						
Efficacy	115.8 Lm/W			35	866	90-180	0	0	75	0				
SC	0.86	45	230	0-180	2316	100								
UGR	13.7	55	56				85	0						
		65	0											
		75	0											
		85	0											
		90	0											
				MH	FC	L	W							
				5.5'	79.6	4.6	4.6							
				7'	49.1	6	6							
				8'	37.6	6.8	6.8							
				9'	29.7	7.6	7.8							
				10'	24.1	8.4	8.6							
				12'	16.7	10.2	10.4							

**WIDE DISTRIBUTION - SPECULAR CLEAR FINISH, 2000 LUMEN MODEL, 80 CRI, 3500K**

WIDE (75° BEAM*)		CANDLEPOWER DISTRIBUTION		CONE OF LIGHT				CANDELA TABLE		ZONAL LUMEN SUMMARY			LUMINANCE	
Test Number	P253055							Degrees Vertical	Candela	Zone	Lumens	% Fixture	Average Candela Degrees	Average 0° Luminance
Housing	PRS6FS12D010							0	1116	0-30	890	42.2	45	20337
Module	SM6128FS			5	1111	0-40	1436	68.1						
Reflector	61SWDC			15	1083	0-60	1976	93.7	55	13602				
Lumens	2109 Lm			25	1028	0-90	2109	100						
Efficacy	105.4 Lm/W			35	849	90-180	0	0	75	5806				
SC	1.26	45	334	0-180	2109	100								
UGR	18.7	55	181				85	4298						
		65	81											
		75	35											
		85	9											
		90	0											
				MH	FC	L	W							
				5.5'	36.9	6.8	7							
				7'	22.8	8.8	8.8							
				8'	17.4	10	10.2							
				9'	13.8	11.2	11.4							
				10'	11.2	12.6	12.6							
				12'	7.7	15	15.2							

\*Values are nominal for specular clear reflectors, others may vary.  
SC = Spacing Criteria  
UGR = Unified Glare Rating

**Photometric Multipliers (nominal lumen values)**

1000 Lumen	1500 Lumen	2000 Lumen	3000 Lumen	4000 Lumen
0.46	0.61	1.00	1.27	1.82

Multipliers for relative lumen values with other series models.

**CCT Multipliers - 80CRI**

3000K	3500K	4000K
0.90	1.00	0.95

Multipliers for relative lumen values with other series color temperatures.

**Color Finish Multipliers**

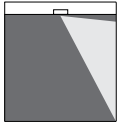
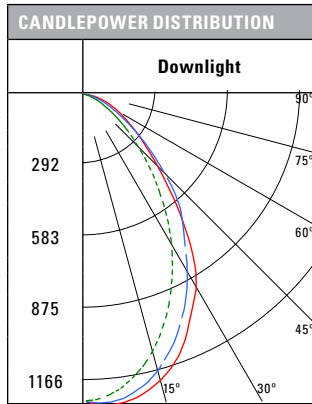
Finish code	C	H	MB	MW
Finish	Specular Clear	Semi-Specular	Matte Black	Matte White
Narrow Multiplier	1.00	0.99	0.88	1.00
Medium Multiplier	1.00	0.98	0.82	1.00
Wide Multiplier	1.00	0.96	0.70	1.00

Multipliers for relative lumen values with other cone color finishes.

## PHOTOMETRY - DEEP REFLECTORS 61S SERIES

### WALL WASH DISTRIBUTION - SPECULAR CLEAR FINISH, 2000 LUMEN MODEL, 80 CRI, 3500K

WALL WASH	
Test Number	P238330
Housing	PRS6FS12D010
Module	SM6128FS
Reflector	61SWWC
Lumens	1602 Lm
Efficacy	80.1 Lm/W
SC	0.98

CANDELA TABLE	
Degrees Vertical	Candela
0	1147
5	1166
15	1108
25	936
35	701
45	404
55	232
65	132
75	63
85	13
90	0

ZONAL LUMEN SUMMARY		
Zone	Lumens	% Fixture
0-30	750	46.8
0-40	1100	68.7
0-60	1505	94
0-90	1602	100
90-180	0	0
0-180	1602	100

LUMINANCE	
Average Candela Degrees	Average 0° Luminance
45	24593
55	17445
65	13499
75	10480
85	6422

SC = Spacing Criteria, nominal for specular clear reflector, others may vary.

SINGLE UNIT FOOTCANDLES								
2.5' from wall (distance from fixture along wall)								
1	13.9	9.8	4	1.4	0.5	0.2	0.1	
2	21.7	17.4	8.8	3.6	1.5	0.6	0.3	
3	22.9	19.2	11.8	5.5	2.4	1.1	0.6	
4	18.9	16.3	11.2	6.4	3.1	1.6	0.8	
5	12.9	11.6	8.7	5.7	3.3	1.8	1	
6	9	8.3	6.6	4.7	3.1	1.9	1.1	
7	6.4	6	5	3.8	2.7	1.8	1.2	
8	4.6	4.3	3.8	3	2.3	1.7	1.1	
9	3.4	3.2	2.9	2.4	1.9	1.4	1.1	
10	2.5	2.5	2.2	1.9	1.6	1.2	1	

MULTIPLE UNIT FOOTCANDLES								
2.5' from wall (distance from fixture along wall)			2.5' from wall (distance from fixture along wall)					
1	15.4	13.1	15.4	14.4	8	14.4		
2	25.2	26.3	25.2	23.1	17.7	23.1		
3	28.5	31.3	28.5	25.4	23.6	25.4		
4	25.2	27.8	25.2	22	22.4	22		
5	18.7	20.5	18.7	16.3	17.4	16.3		
6	13.7	15.1	13.7	12.1	13.2	12.1		
7	10.2	11	10.2	9.1	10	9.1		
8	7.6	8.2	7.6	6.9	7.5	6.9		
9	5.8	6.2	5.8	5.3	5.8	5.3		
10	4.5	4.7	4.5	4.1	4.5	4.1		

#### Photometric Multipliers (nominal lumen values)

1000 Lumen	1500 Lumen	2000 Lumen	3000 Lumen	4000 Lumen
0.46	0.61	1.00	1.27	1.82

Multipliers for relative lumen values with other series models.

#### Color Finish Multipliers

Finish code	C	H	MB	MW
Finish	Specular Clear	Semi-Specular	Matte Black	Matte White
Wall Wash Multiplier	1.00	0.98	0.91	1.00

Multipliers for relative lumen values with other cone color finishes.

#### CCT Multipliers - 80CRI

3000K	3500K	4000K
0.90	1.00	0.95

Multipliers for relative lumen values with other series color temperatures.

**PHOTOMETRY - SHALLOW REFLECTORS 64S SERIES**  
**NARROW DISTRIBUTION - SPECULAR CLEAR FINISH, 2000 LUMEN MODEL, 80 CRI, 3500K**

NARROW (59° BEAM*)		CANDLEPOWER DISTRIBUTION		CONE OF LIGHT				CANDELA TABLE		ZONAL LUMEN SUMMARY			LUMINANCE	
Test Number	P238090							Degrees Vertical	Candela	Zone	Lumens	% Fixture	Average Candela Degrees	Average 0° Luminance
Housing	PRS6FS12D010							0	2420	0-30	1367	55.3	45	26566
Module	SM6128FS							5	2342	0-40	1878	76	55	14503
Reflector	64SND C							15	1921	0-60	2375	96.2	65	7081
Lumens	2470 Lm							25	1392	0-90	2470	100	75	2163
Efficacy	123.5 Lm/W	35	868	45	436	55	193	85	0					
SC	0.82	65	70	75	13	85	0							
UGR	18.1	90	0	90	0									
		MH	FC	L	W									
		5.5'	80	4.4	4.4									
		7'	49.4	5.6	5.8									
		8'	37.8	6.4	6.6									
		9'	29.9	7.4	7.4									
		10'	24.2	8.2	8.2									
		12'	16.8	9.8	10									

**MEDIUM DISTRIBUTION - SPECULAR CLEAR FINISH, 2000 LUMEN MODEL, 80 CRI, 3500K**

MEDIUM (70° BEAM*)		CANDLEPOWER DISTRIBUTION		CONE OF LIGHT				CANDELA TABLE		ZONAL LUMEN SUMMARY			LUMINANCE	
Test Number	P238105							Degrees Vertical	Candela	Zone	Lumens	% Fixture	Average Candela Degrees	Average 0° Luminance
Housing	PRS6FS12D010							0	1700	0-30	1113	45.8	45	30542
Module	SM6128FS							5	1672	0-40	1637	67.4	55	19232
Reflector	64SMDC							15	1477	0-60	2292	94.4	65	8853
Lumens	2427 Lm							25	1175	0-90	2427	100	75	2895
Efficacy	121.3 Lm/W	35	825	45	502	55	256	85	0					
SC	0.96	65	87	75	17	85	0							
UGR	19.8	90	0	90	0									
		MH	FC	L	W									
		5.5'	56.2	5.2	5.2									
		7'	34.7	6.6	6.6									
		8'	26.6	7.6	7.6									
		9'	21	8.4	8.6									
		10'	17	9.4	9.6									
		12'	11.8	11.4	11.4									

**WIDE DISTRIBUTION - SPECULAR CLEAR FINISH, 2000 LUMEN MODEL, 80 CRI, 3500K**

WIDE (103° BEAM*)		CANDLEPOWER DISTRIBUTION		CONE OF LIGHT				CANDELA TABLE		ZONAL LUMEN SUMMARY			LUMINANCE	
Test Number	P252995							Degrees Vertical	Candela	Zone	Lumens	% Fixture	Average Candela Degrees	Average 0° Luminance
Housing	PRS6FS12D010							0	907	0-30	725	32.1	45	35383
Module	SM6128FS							5	902	0-40	1202	53.2	55	29238
Reflector	64SWDC							15	879	0-60	2051	90.7	65	11064
Lumens	2261 Lm							25	841	0-90	2261	100	75	4957
Efficacy	113.1 Lm/W	35	741	45	581	55	390	85	1037					
SC	1.3	65	109	75	30	85	2							
UGR	21.9	90	0	90	0									
		MH	FC	L	W									
		5.5'	30	7	7.2									
		7'	18.5	9	9.2									
		8'	14.2	10.2	10.4									
		9'	11.2	11.6	11.8									
		10'	9.1	12.8	13.2									
		12'	6.3	15.4	15.8									

\*Values are nominal for specular clear reflectors, others may vary.  
SC = Spacing Criteria  
UGR = Unified Glare Rating

**Photometric Multipliers (nominal lumen values)**

1000 Lumen	1500 Lumen	2000 Lumen	3000 Lumen	4000 Lumen
0.47	0.62	1.00	1.27	1.83

Multipliers for relative lumen values with other series models.

**CCT Multipliers - 80CRI**

3000K	3500K	4000K
0.90	1.00	0.95

Multipliers for relative lumen values with other series color temperatures.

**Color Finish Multipliers**

Finish code	C	H	MB	MW
Finish	Specular Clear	Semi-Specular	Matte Black	Matte White
Narrow Multiplier	1.00	1.00	0.90	1.04
Medium Multiplier	1.00	0.99	0.95	1.01
Wide Multiplier	1.00	0.99	0.93	1.02

Multipliers for relative lumen values with other cone color finishes.