

Project		Catalog #		Type	
Prepared by		Notes		Date	



HALO

SLD6 1200 Series

6" Round Surface LED Downlight
 SeleCCTable color temperature
 1200 Lumen Series

Typical Applications
 Residential

Interactive Menu

- Order Information page 2
- Product Specification page 3
- Energy Data page 4
- Photometric Data page 4
- Product Warranty

Product Certification



Refer to ENERGY STAR® Certified Products List.
 Can be used to comply with California Title 24 High Efficacy requirements.
 Certified to California Appliance Efficiency Database under JAB.

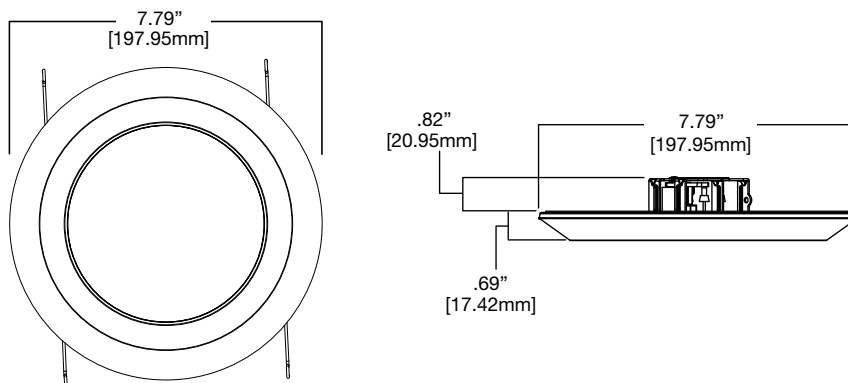
Product Features



Top Product Features

- Ultra-low profile surface luminaire with wide distribution
- Ceiling or wall mounting in compatible junction boxes
- 120V with phase dim or 120V-277V UNV with 0-10V dim
- Select from 5 CCTs via switch; 2700K, 3000K, 3500K, 4000K, 5000K CCT
- Wet location listed for showers and protected ceilings
- 90 CRI; Dimmable to 5%

Dimensional and Mounting Details



Order Information

SAMPLE NUMBER: **SLD6129S1EMWR** = 6" Surface Mount LED Downlight, 90CRI, Selectable CCT, 120V, Matte White

Junction Box Installation: Order junction box separately, as supplied by others, to complete installation.

Recessed Installation: Order HALO recessed housing separately to complete installation.

Models	Lumens	CRI / CCT	Driver	Finish	Packaging
SLD6 = 6" Surface LED downlight	12 = 1200 lumen (nominal)	9S = 90 CRI minimum, white tuning, selectable CCT 2700K-5000K	1E = 120V 60Hz leading or trailing edge phase cut 5% dimming E010 = 120V-277V 60Hz 0-10V dimming down to 5%	MW = Matte White	R = recyclable 4-color unit carton suitable for point of purchase merchandising display
Notes	Notes	Notes	Notes	Notes	Notes

Accessories (Order Separately)

Accessories (Order Separately)
<p>Designer Trims Fit over the SLD6 for a designer finish SLD6TRMSN=6" SLD Satin Nickel SLD6TRMTBZ=6" SLD Tuscan Bronze SLD6TRMWH=6" SLD White (paintable)</p> <p>J-Box Spacer Extension Ring Add 15/16" depth when SLD driver cannot fit into installed junction box SLD6EXT=6" Surface LED J-Box Extender, 9.5" O.D.</p> <p>RAD Adapters When junction box is mounted flat on a ceiling or beam surface (not recessed in ceiling) SLD6RAD=6" SLD Round Surface J-Box Adapter, 7.92" O.D. (For 4-inch round or octagon junction boxes)</p> <p>Spare Parts SLDACCKIT=SLD Accessory Parts Replacement Kit (Screwbase adapter, torsion springs, friction blades) SLD6BRKT=6" Junction Box Bracket & Screws</p> <p>Refer to SLD Accessories specification sheet for further information.</p>
Notes

Accessories (Order Separately)

Designer Trims



SLD6TRMSN
Satin Nickel



SLD6TRMTBZ
Tuscan Bronze



SLD6TRMWH
White (Paintable)

J-box Spacer Extension Ring

SLD6EXT
6" Surface LED Space Ring



RAD Adapter

SLD6RAD
6" SLD Round Surface J-box Adapter
For 4" round and octagon junction boxes.



Product Specifications

Construction

- Die cast aluminum trim ring and die formed aluminum frame

Optics

- Light guide provides uniform luminance from a low profile flat lens
- AccuAim™ optics provide directional control for the “cone-of-light” beam distribution of a traditional downlight
- Precision molded lens features high transmission polymer with UV stabilized protecting film

Designer Trims

Accessories (sold separately)

- SLD designer trims are accessory rings that attach to the SLD for a permanent finish. Refer to SLD accessories specification sheet for details.
 - White (Paintable)
 - Satin Nickel
 - Tuscan Bronze

Electrical Junction Box Mounting

- SLD may be used in compatible electrical junction boxes in direct contact with insulation including spray foam insulation
- Suitable for installation in 3-1/2" and 4" square, octagon, and round electrical junction boxes (some require SLD6EXT)
- Installer must ensure compatibility of fit, wiring and proper mounting in the electrical junction box. This includes all applicable national and local electrical and building codes
- Proprietary Slot-N-Lock quick installation system for junction box installation
- T-bracket with Slot-N-Lock mounting tabs included.

LED

- Trilateral linear LED assembly is integrated in trim perimeter.
- Field selectable color temperature; select 2700K, 3000K, 3500K, 4000K or 5000K CCT
- 90 CRI can be used for California Title 24 compliance/certified
- L70 at 50,000 hours projected in accordance with TM-21

LED Chromaticity

- A tight chromaticity specification ensures LED color uniformity, sustainable Color Rendering Index (CRI) and Correlated Color Temperature (CCT) over the useful life of the LED
- LED chromaticity of 3 SDCM exceeds ENERGY STAR® color standards per ANSI.
- 90 CRI model features high color performance with R9 greater than 50
- Every Halo LED is quality tested, measured, and serialized in a permanent record to register lumens, wattage, CRI and CCT.
- Halo LED serialized testing and measurement ensures color and lumen consistency on a per-unit basis, and validates long-term product consistency over time.

Electrical Connections

Junction Box

- Compatible with many 3-1/2" x 2" and 4" x 1-1/2" round and octagon boxes (2-1/8" deep boxes recommended)
- Supply Wire Adapter with LED quick connector included
- For recessed housings use SLDACCKIT (sold separately)

LED Driver

- Driver is a 120V input high efficiency, dimmable electronic power supply providing DC power to the LED array
- Driver features high power factor, low THD, and has integral thermal protection in the event of over temperature or internal failure.
- Driver is replaceable if it should be required

120V Dimming – Phase Control

- Designed for continuous dimming capability to nominally 5% with many 120V Leading Edge (LE) and Trailing Edge (TE) phase control dimmers.
- Dimming to 5% is best assured using dimmers with low end trim adjustment.
- Consult dimmer manufacturer for compatibility and conditions of use.
- Note:** Some dimmers require a neutral in the wallbox.

UNV Dimming – 0-10V

- 120V-277V UNV dimming capability to nominally 5% with 0-10V control dimmers only .
- 0-10V DC dimmers operate using two low voltage dimming wires (color coded violet and gray). The low voltage dimming wires are separate from the 120V AC or 277V AC power.
- Switching on/off is controlled via the line voltage (120V AC or 277V AC) power, and dimming is controlled via the 2-wire 0-10V DC low voltage wiring.
- UNV SLD does not phase dim, only 0-10V.**

Compliance

- UL Certified for use in US and Canada
- UL Certified Damp and Wet location listed.
- Suitable for use in closets, compliant with NFPA® 70, NEC® Section 410.16 (A)(3) and 410.16 (C)(5)
- SLD may be used in compatible electrical junction boxes in direct contact with insulation including spray foam insulation
- May be installed in IC recessed housings in direct contact with insulation (Not for use in recessed housings in direct contact with spray foam insulation. Refer to NEMA LSD 57-2013)
- UL Classified when used in retrofit with listed housings (See Housing Compatibility)
- EMI/RFI: meets FCC 47CFR Part 15 Class B limits, and is suitable for use in residential and commercial installations
- Airtight certified per ASTM E283 (not exceeding 2.0 CFM under 57 Pascals pressure difference)
- 90 CRI: Can be used to comply with California Title 24 High Efficacy requirements.
- Can be used for International Energy Conservation Code (IECC) and Washington State Energy Code high efficiency luminaire compliance
- ENERGY STAR® certified luminaire - consult ENERGY STAR® Certified Product List
- Contains no mercury or lead and RoHS compliant.
- Photometric testing in accordance with IES LM-79 • Lumen maintenance projections in accordance with IES LM-80 and TM-21

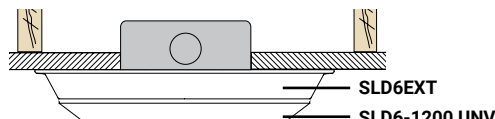
Warranty

- Five year limited warranty, consult website for details. www.cooperlighting.com/legal

Junction Box Compatibility

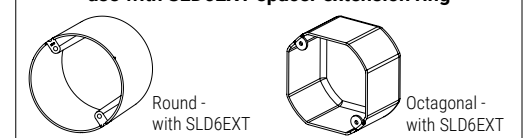


4" square deep steel box
4" x 4" x 2-1/8"
(102mm x 102mm x 54mm)



Compatible with other boxes when used with SLD6EXT extension spacer ring.

use with SLD6EXT spacer extension ring



Round - with SLD6EXT

Octagonal - with SLD6EXT

*This is a representative list of compatible junction boxes only. Information contained in this literature about other manufacturers' products is from published information made available by the manufacturer and is deemed to be reliable, but has not been verified. Cooper Lighting Solutions makes no specific recommendation on product selection and there are no warranties of performance or compatibility implied. Installer must determine that site conditions are suitable to allow proper installation of the mounting bracket in the box.

Energy Data

Energy Data @ 3000K	
Lumens	1200 Series
Input Voltage	120V
Input Current	74 (mA)
Input Power	15.6 (W)
Efficiency	85.7 (LPW)
Inrush (A)	2.1 (A)
THD:	≤ 20%
PF:	≥ 0.90
T Ambient	-30° - +40°C
Sound Rating	≤ 20 dba

Photometric Data

SLD6129S1EMWR-2700K

Spacing criterion: (0-180) 1.22
(90-270) 1.22
(Diagonal) 1.38

Beam Angle: 121.4°

Field Angle: 162.4°

Lumens: 1304

Input Watts: 15.6 W

Efficacy: 83.6 LPW

Test Report:
SLD6129S1EMWR-2700K.ies

Zonal Lumen	Lumens	% Lumens
0-30	334.3	25.3
0-40	562.7	42.6
0-60	1032	78.1
0-90	1314	100

TM-30-15	Rf = 94
	Rg = 100
CRI/CIE	Ra = 98.1
	R9 = 67

CCT - Range of 2700K- 5000K



112°

SLD612 120V	CCT	Lumens	Power (W)	LPW
Field Selectable CCT	2700K	1273	15.6	81.6
	3000K	1304	15.6	83.6
	3500K	1337	15.6	85.7
	4000K	1365	15.6	87.5
	5000K	1402	15.6	89.9

SLD612 UNV	CCT	Lumens	Power (W)	LPW
Field Selectable CCT	2700K	1240	15.5	80.0
	3000K	1270	15.5	81.9
	3500K	1300	15.5	83.9
	4000K	1326	15.5	85.5
	5000K	1353	15.5	87.3

SLD6129S1EMWR - 3000K

PRODUCT SPECIFICATIONS	
Lumens	1304
Watts	15.6
Lumens Per Watt (Efficacy)	85.7
Color Accuracy (CRI)	94
Light Color (CCT) Correlated Color Temperature (CCT)	3000K