

## DESCRIPTION

The Halo RL6 Deep Baffle is a complete LED Baffle-Trim Module for 6 inch aperture recessed downlights; suitable for new construction, remodel and retrofit installation. The regressed lens provides uniform illumination and wet location listing. Precision construction makes any housing AIR-TITE for added savings and code compliance.

Catalog #		Type
Project		
Comments		Date
Prepared by		

## SPECIFICATION FEATURES

### MODULE - TRIM

- Module construction includes LED Array, heat sink, reflector, lens, baffle and trim ring.
- Regressed Coilex baffle
- Heat sink designed to conduct heat away from the LED Array, keeping the junction temperatures below specified maximums, even when installed in insulated ceiling environments.

### LED ARRAY

- Mid power LED array provides a uniform source with high efficiency and no pixilation.
- 90 CRI minimum, R9 greater than 50
- Color accuracy within 3 SDCM provide color accuracy and uniformity

### OPTICAL ASSEMBLY

- Regressed lens
- Impact-resistant polycarbonate
- Convex form and lamp-like appearance
- Diffuse for even illumination

### BAFFLES

- Each unit comes with a white baffle insert and black baffle insert.

### DRIVER

- Integral 120V 50/60 Hz constant current driver provides noise free operation
- In the mobile app, continuous, flicker-free dimming from 100% to 5%.
- Inline electrical quick connect and E26 adapter (provided) provides mains connections
- Consult instruction sheets and quick start guide for more information

### RETENTION

#### Torsion Springs

- Integral torsion springs offer two mounting options
- Torsion springs are pre-installed and adjust to fit 5" or 6" compatible housings

#### Friction Blades

- Provide alternative to torsion springs for retrofit in 5" and 6" housings without torsion spring mounting tabs.
- Friction blade design allows the RL560 to be installed in any position within the housing aperture (360 degrees).

### GASKETS

- Closed cell gaskets achieve restrictive airflow requirements without additional caulking

### COMPLIANCE

- UL Certified
- Wet and Damp location listed.
- Airtight certified per ASTM-E283
- Suitable for use in clothes closets when installed in accordance with the NEC 410.16 spacing requirements
- EMI/RFI emissions per FCC 47CFR Part 15 consumer limits
- Contains no mercury or lead and RoHS compliant
- Photometric testing in accordance with IES LM-79-08
- Lumen maintenance projections in accordance with IES LM-80-08 and TM-21-11
- Can be used for State of California Title 24 high efficacy luminaire compliance. Complies with Title 24 JA8-2016-E.
- Can be used International Energy Conservation Coe (IECC) and Washington State Energy Code high efficiency luminaire compliance.
- ENERGY STAR® listed, reference database for current listings
- Meets State of California voluntary lamp standards
- Lighting Facts labeled

### WARRANTY

- Five year limited warranty, consult website for details. [www.eaton.com/lighting/legal](http://www.eaton.com/lighting/legal)



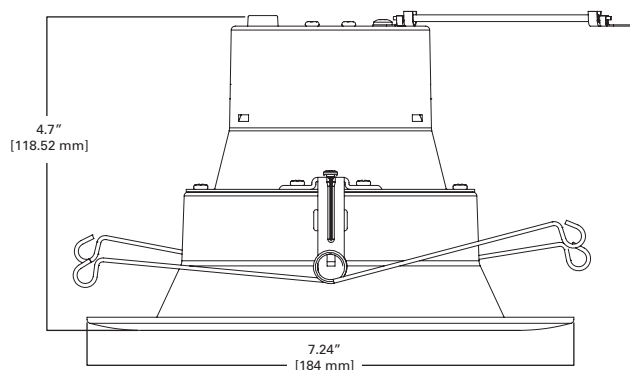
## RL6 Deep Baffle

**6-Inch All-Purpose LED Retrofit Module**  
**600 Lumen Series**

**FOR USE IN INSULATED CEILING AND NON-INSULATED CEILING RATED HOUSINGS**

**HIGH-EFFICACY LED WITH INTEGRAL DRIVER - DIMMABLE**

## DIMENSIONS



Refer to ENERGY STAR® Certified Products List. Can be used to comply with California Title 24 High Efficacy requirements. Certified to California Appliance Efficiency Database under JA8.



### ENERGY DATA @ 3000K

Lumens	668
Wattage	8.5W
Input current	0.073A
Efficacy	78.6 LPW
THD	17.5%
Frequency	60 Hz
T Ambient	-30 - +40°C
Voltage	120V
Sound Rating	Class A
Power Factor	0.99

## ORDERING INFORMATION

**SAMPLE NUMBER:** RLD6069301EWH

A complete luminaire consists of a housing, and LED module, order separately.

Models	Lumens	CRI / CCT	Driver	Finish	Accessories
<b>RLD6</b> = 6" Deep Baffle retrofit LED module	<b>06</b> =600 lumen (nominal)	<b>930</b> =90 CRI minimum, 3000K CCT	<b>1E</b> = 120V 50/60Hz leading or trailing edge phase cut 1% dimming	<b>WH</b> = matte white trim, white baffle and black baffle included	

### Housings

#### Halo LED 6-inch

- H750ICAT**= 6" LED, Insulated Ceiling, Air-Tite, New Construction Housing
- H750RICAT**= 6" LED, Insulated Ceiling, Air-Tite, Remodel Housing
- H750T**= 6" LED, Non-IC, Air-Tite, New Construction Housing
- H750TCP**= 6" LED, Non-IC, New Construction/Remodel Chicago Plenum Housing
- H2750ICAT**= 6" LED, Shallow, Insulated Ceiling, Air-Tite, New Construction (use with 691X, 694X, 696X trims only)
- H2750RICAT**= 6" LED, Shallow, Insulated Ceiling, Air-Tite, Remodel (use with 691X, 694X, 696X trims only)
- E750ICAT**= 6" LED, Insulated Ceiling, Air-Tite, New Construction Housing
- E750RICAT**= 6" LED, Insulated Ceiling, Air-Tite, Remodel Housing

#### Halo LED retrofit

- ML7E26RFK**= 6" Retrofit Enclosure, Non-IC, E26 Screw base Interface
- ML7BXRFK**= 6" Retrofit Enclosure, Non-IC, BX Whip

#### Halo Shallow Housings 6-inch

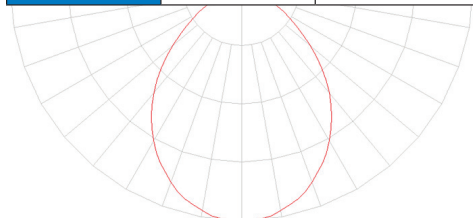
- H27ICAT**= 6" Shallow, Insulated Ceiling, Air-Tite New Construction
- H27RICAT**= 6" Shallow, Insulated Ceiling, Air-Tite Remodel Housing
- H27T**= 6" Shallow, Non-IC, New Construction Housing
- H27RT**= 6" Shallow, Non-IC, Remodel Housing
- E27ICAT**= 6" Shallow, Insulated Ceiling, Air-Tite New Construction
- E27RICAT**= 6" Shallow, Insulated Ceiling, Air-Tite Remodel Housing
- E27TAT**= 6" Shallow, Non-IC, New Construction Housing
- E27RTAT**= 6" Shallow, Non-IC, Remodel Housing

#### Halo Standard Housings 6-inch

- H7ICAT**= 6" Insulated Ceiling, Air-Tite New Construction Housing
- H7RICAT**= 6" Insulated Ceiling, Air-Tite Remodel Housing
- H7ICT**= 6" Insulated Ceiling, New Construction Housing
- H7RICT**= 6" Insulated Ceiling, Remodel Housing
- H7ICATNB**= 6" Insulated Ceiling, Air-Tite New Construction Housing, No Socket Bracket
- H7ICTNB**= 6" Insulated Ceiling, New Construction Housing, No Socket Bracket
- H7T**= 6" Non-IC, New Construction Housing
- H7RT**= 6" Non-IC, Remodel Housing
- H7TNB**= 6" Non-IC, New Construction Housing, No Socket Bracket
- H7TCP**= 6" Non-IC, Chicago Plenum, New Construction/Remodel Housing
- H7UICAT**= 6" Insulated Ceiling, Universal, Air-Tite, New Construction Housing
- E7ICAT**= 6" Insulated Ceiling, Air-Tite New Construction Housing
- E7RICAT**= 6" Insulated Ceiling, Air-Tite Remodel Housing
- E7ICATNB**= 6" Insulated Ceiling, Air-Tite New Construction Housing, No Socket Bracket
- E7TAT**= 6" Non-IC, New Construction Housing
- E7RTAT**= 6" Non-IC, Remodel Housing
- E7TATNB**= 6" Non-IC, New Construction Housing, No Socket Bracket

## Photometric Data

RLD6069301EWH		
Luminaire lumens		668
Input watts		8.5
LER (LPW)		78.6
Spacing Criteria	0-180	1.08
	90-270	1.08
	Diagonal	0.98
Beam angle (degrees)		66.1
Field angle (degrees)		108.8
Zonal lumen	Lumens	% Lumens
0-30	372	55.7
0-40	507	75.9
0-60	621	92.9
0-90	668	100



\* Tested in accordance with IES LM63. Field results may vary.

## Product Specifications

### PRODUCT SPECIFICATIONS

Lumens	<b>668</b>
Watts	<b>8.5</b>
Lumens Per Watt (Efficacy)	<b>78.6</b>
Color Accuracy (CRI)	<b>91</b>
Light Color (CCT)	<b>3000K</b>

Correlated Color Temperature (CCT)

2700K
3000K
4500K
6500K

Performance metrics are measured using white baffle.

## Color Metric Summary

TM-30-15	R <sub>f</sub> = 91
	R <sub>g</sub> = 98.8
CRI/CIE	R <sub>a</sub> = 92.8
	R <sub>9</sub> = 67.2



CCT - Range of 2700K- 5000K

