

DESCRIPTION

The H7 recessed housing is the standard in the industry for both commercial and residential applications. The wide variety of trims available allows a number of different lighting effects to be created with one basic housing.

APPLICATION

The H7TNB is suited for use in non-insulated ceilings in residential and commercial applications. If ceiling insulation is present, it must be kept 3" from the fixtures on all sides.

DESIGN FEATURES

A...Housing

Aluminum construction for greater heat dissipation.

B...Plaster Frame

Housing adjusts in plaster frame 1 3/8" to accommodate different ceiling thicknesses. Plaster frame features include:

- Regressed locking screw for securing hanger bars
- Cutouts for easily crimping hanger bars in position
- Halo name embossed on plaster frame Galvanized steel construction. The housing can be removed from plaster frame to provide access to the junction box.

C...Junction Box

Junction box features include:

- UL listed for through branch circuit wiring
- Positioned to accommodate straight conduit runs
- Seven 1/2" trade size conduit knockouts with true pry-out

slots

- Slide-N-Side™ connectors allow 14/2 or 12/2 non-metallic sheathed cable to be installed without tools and without removing knockouts

D...GOT NAIL! Pass-N-Thru™ Bar Hangers

Bar Hanger Features include:

- Pre-installed nail easily installs in regular lumber, engineered lumber and laminated beams
- Safety and guidance system prevents snagging, ensures smooth straight nail penetration and allows bar hangers to be easily removed if necessary.
- Automatic levelling flange aligns the housing and lets you hold the housing in place with one hand while driving nails
- Housing can be positioned at any point within 24" joist span
- Score lines allow "toolless" shortening for 12" joists
- Bar hangers may be

Catalog #	Type
Project	
Comments	
Prepared by	Date

repositioned 90°

- Bar hangers do not need to be removed from frame for shortening
- Integral T-bar clips snaps onto T-bars - no additional clips required

E...Socket

Porcelain socket with nickel plated brass screw shell.

F...Thermal Protector

Self resetting thermal protector deactivates fixture if overheating occurs due to improper lamping or misapplied insulation.

Labels

- UL Listed for Damp Location
- UL listed for Feed Through
- CSA Certified
- IP Rated



H7TNB

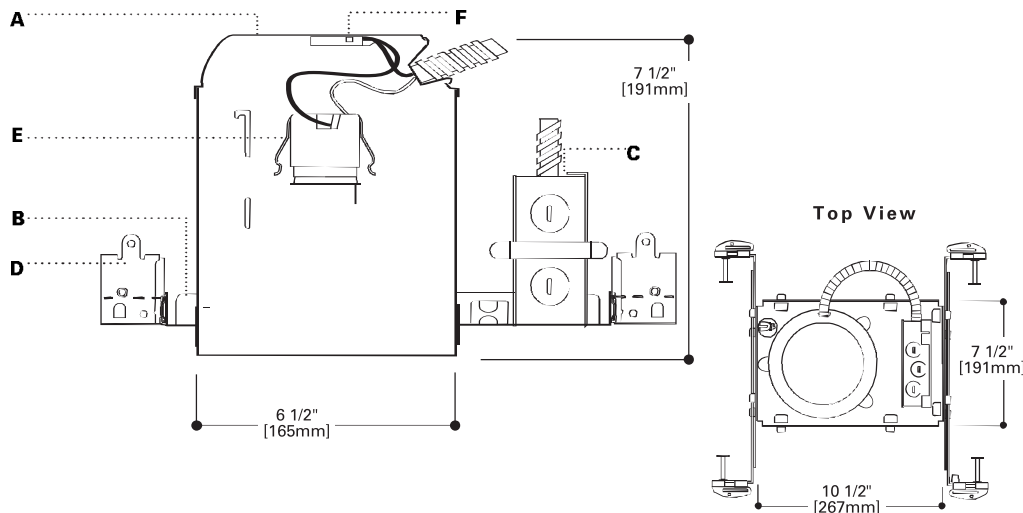
6" Non-Insulated Ceiling Recessed Housing

6" TRIMS

FOR USE IN NON-INSULATED CEILINGS OR INSULATED CEILINGS BUT INSULATION MUST BE KEPT 3" FROM ALL SIDES OF FIXTURE

This housing is AIR-TITE when used with the following Trims:

- 170PS
- 171PS
- 173PS
- 78PAT
- 30 (All Styles)
- 430 (All Styles)



UPGRADE FEATURES:

- SLIDE-N-SIDE™ JUNCTION BOX
- GOT NAIL!™ BAR HANGERS
- PASS-N-THRU™ BAR HANGERS
- REGRESSED LOCKING SCREW
- HALO ID ON PLASTER FRAME

ADV042494

Supersedes ADV023134

9/04

TAB: Recessed Incandescent

Sheet 25

TRIMS

ORDERING INFORMATION

SAMPLE NUMBER: H7TNB-30CAT

Order housing, trim and accessories separately.

Housing

Trims

H7TNB=Non-Insulated Ceiling Housing - No Socket Bracket

REFLECTORS



AIR-TITE Super Trim
150W A21, 150W PAR38, 100W R30, 75W PAR30, 75W PAR30L, 65W BR30
30CAT=Specular Clear, Air-Tite
30HAT=Haze, Air-Tite
30RGAT=Residential Gold, Air-Tite
OD: 7 1/4" (184mm)



AIR-TITE Super Trim
50W APR30, 75W PAR30L, 100W R30, 85W BR30, 150W R40, 120W BR40, 100W A19, 150W PAR38, 150W A21
30SBAT=Specular Black, Air-Tite
OD: 7 1/4" (184mm)



Specular Reflector
150W A21
405SC=Specular Clear
405H=Haze
405RG=Residential Gold
405CG=Champagne Gold
OD: 7 1/4" (184mm)



Self Flanged Reflector
150W A21
4051P=White
OD: 7 1/4" (184mm)

BAFFLES



AIR-TITE Super Trim
100W A19, 150W PAR38, 100W R30, 75W PAR30, 65W BR30, 75W PAR30L
30PAT=Black Baffle
30WAT=White Baffle
OD: 7 1/4" (184mm)

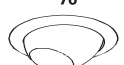
ADJUSTABLES



Eyeball - 30° Tilt
75W PAR30
74P=White Eyeball
OD: 8" (203mm)



Adjustable - 30° Tilt
150W PAR38 Side Prong
76P=White Eyeball
OD: 8" (203mm)



Eyeball
50W R20, 50W PAR20
77P=White Eyeball
OD: 8" (203mm)



Eyeball - 30° Tilt
75W R30, 65W BR30, 75W PAR30L
78P=White Eyeball
78SL=Silver
78B=Brass Eyeball
78PB=Polished Brass Eyeball
78PAT=White Eyeball (converts H7TNB to AIR-TITE Construction)
OD: 8" (203mm)



Adjustable - 60° Tilt
250W PAR38
90P=White "Double Bubble"
OD: 8" (203mm)



Adjustable
75W PAR30
376P=Black Baffle, White Trim Ring
OD: 7 1/4" (184mm)



Adjustable with Splay Reflector
75W PAR30
378=White w/ Specular Clear Splay Reflector
378P=White w/ White Splay Reflector
OD: 7 1/4" (184mm)



Coilex Baffle Eyeball
75W PAR30
417P=White with Black Baffle
417PB=Brass with Black Baffle
417W=Brass with White Baffle
OD: 8" (203mm)



Regressed Eyeball
75W PAR30
419=White w/ Specular Clear Splay Reflector
419P=White w/ White Splay Reflector
OD: 8" (203mm)



Coilex Regressed Eyeball
75W BR30, 75W PAR30L
420P=Black Baffle, White Eyeball
420PB=Black Baffle, Polished Brass Eyeball
420W=White Baffle, White Eyeball
OD: 7 1/4" (184mm)



Adjustable with Splay - 25° Tilt
90W PAR38
478=White w/ Specular Clear Splay Reflector
478P=White w/ White Splay Reflector
OD: 7 1/4" (184mm)

DIFFUSERS



Glass Albalite Lens
60W A19
170P=White Trim Ring
170PS=White Trim Ring Shower Light
OD: 8" (203mm)



Plastic Drop Opal
60W A19
171P=White Trim Ring
171PS=White Trim Ring Shower Light
OD: 8" (203mm)



Glass Fresnel Lens
60W A19
173P=White Trim Ring
173PS=White Trim Ring, Shower Light
OD: 8" (203mm)



Shower Light
100W A19, 75W PAR30
172PS=White Trim Ring, Shower Light
OD: 7 3/4" (197mm)



Baffle Wall Wash
40W A19
430P=Black Baffle, White Scoop, White Trim Ring
430W=White Baffle, White Scoop, White Trim Ring
OD: 7 1/4" (184mm)



Specular Reflector - 30° tilt (Includes 12V transformer for retrofit)
50W 12V MR16
1416C=Clear Specular Reflector
1416CG=Champagne Gold Specular Reflector
OD: 7 1/4" (184mm)



Baffle - 30° tilt (Includes 12V transformer for retrofit)
50W 12V MR16
1416BA=Black Baffle, White Trim Ring
1416W=White Baffle, White Trim Ring
OD: 7 1/4" (184mm)



Adjustable Accent - 30° tilt (Includes 12V transformer for retrofit)
50W 12V PAR36
1475P=White Holder, Black Baffle, White Trim Ring
1475W=White Holder, White Baffle, White Trim Ring
OD: 7 1/4" (184mm)

Accessories

Metal Trim Rings
Compatible with 310, 376, 378, 410, 419, 420, 424, 425, 426, 1412, 1416, 1475
TRM6P=White Metal, TRM6PB=Polished Brass, TRM6C=Chrome
TRM6MB=Black Metal, TRM6SL=Silver Metal, TRP7MB=Black Plastic

Oversize Trim Rings
For use when ceiling opening is cut too large. Compatible with 310, 376, 378, 405, 410, 419, 420, 424, 425, 426, 429, 1412, 1416, 1475
OT400P=9 1/4" White Metal
OT403P=8" White Plastic

Step Down Transformer
Steps 277V line voltage down to 120V fixture operating voltage. 150VA max.
H277=150VA Max.

Note: Specifications and Dimensions subject to change without notice.

Visit our web site at www.cooperlighting.com