

DESCRIPTION

Shallow Baffle trim for H25 incandescent housing. Dual position socket support for BR or PAR lamps.

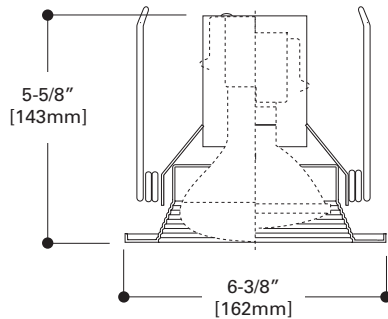
Catalog #		Type
Project		
Comments		Date
Prepared by		

DESIGN FEATURES

Torsion springs pull trim tight to ceiling. Straight sided trim ring coordinates with die cast 3" and 4" trims.
6-3/8" OD. [162mm]

LAMP LISTINGS

H251CAT 50W PAR30, 65W BR30, 75W PAR30L



5014MB
White Trim Ring with
Black Baffle



5014P
White Trim Ring with
White Baffle

5014
Shallow Metal Baffle

H5T-5012 75W PAR30FL 1100 Lumens			H5T-5012 75W R30FL 900 Lumens		
Dia	FC	Work Plane	FC	Dia	
3'0"	73	5'6"	13	6'0"	
4'0"	52	6'6"	10	7'0"	
5'0"	34	8'0"	6	8'0"	
6'0"	22	10'0"	4	10'0"	
7'0"	15	12'0"	3	12'0"	

Test No. H36045
Work Plane is 2 1/2 ft above floor
Dia of circle is 50% of max footcandles directly under fixture

Trim



5014=5" Baffle Trim

Finish



P=White Trim Ring with White Baffle
MB=White Trim Ring with Black Baffle