

DESCRIPTION

High Coilex™ baffle for deep regressed lamp position with H5 non-IC housings. Dual position socket support for R, BR or PAR lamps.

Catalog #		Type
Project		
Comments		Date
Prepared by		

SPECIFICATION FEATURES

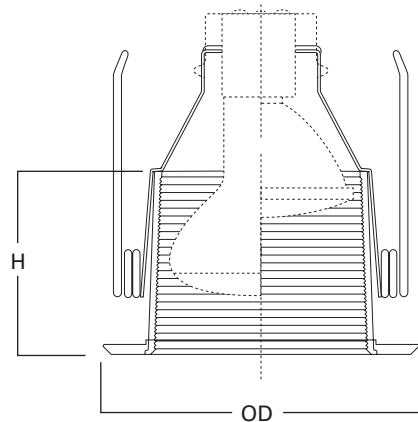
Torsion springs pull trim tight to ceiling. Straight sided trim ring coordinates with Halo small aperture trims.

Lamp Listings - Incandescent

H5T	65W BR30, 75W R30, 75W PAR30
H5RT	

Lamp Listings - GU24

H524ICAT	CF15/R30/GU24
H524ICATL	
H524RICAT	CF13/GU24 (spiral)
H524RICATL	



Height: 3-1/2" [89mm]
Outside Diameter: 6-3/8" [162mm]



5012
White Trim, Black Baffle



5012W
White Trim, White Baffle

5012

5-Inch High Baffle

For use with
Non-IC housings only

If insulation is present
it must be kept 3" from
all sides of housing

ORDERING INFORMATION

Trim	Finish	Accessories
5012 = 5" High Coilex™ baffle trim	Blank = White trim ring with black baffle W = White trim ring with white baffle	OT500P = 5" Oversize trim ring - white