

**Description**

The Halo RL56 SeleCCTable™ is a complete LED Baffle-Trim Module for 5 inch and 6 inch aperture recessed downlights; suitable for new construction, remodel and retrofit installation. Using the CCT selectable switch users can chose between five different color temperatures. The lens provides uniform illumination and wet location listing. Precision construction makes any housing AIR-TITE for added savings and code compliance.

Catalog #		Type
Project		
Comments		Date
Prepared by		

**Specification Features**

**CCT Select System**

- Use the switch to choose between 2700K, 3000K, 3500K, 4000K, and 5000K CCT.

**Module - Trim**

- Module construction includes LED array, heat sink, reflector, lens, baffle and trim ring.
- Regressed baffle
- Heat sink designed to conduct heat away from the LED array, keeping the junction temperatures below specified maximums, even when installed in insulated ceiling environments.

**LED Array**

- Mid power LED array provides a uniform source with high efficiency and no pixilation.
- 90 CRI minimum, R9 greater than 50
- Color accuracy at 4 SDCM in between endpoints, provide color accuracy and uniformity.
- Color Temperature (CCT) has a selectable range from 2700K to 5000K (factory default 3000K)

**Optical Assembly**

- Regressed lens
- Impact-resistant polycarbonate
- Convex form and lamp-like appearance
- Diffuse for even illumination

**Driver**

- Integral 120V 60 Hz constant current driver provides noise free operation
- Continuous, flicker-free dimming from 100% to 5%.
- Inline electrical quick connect and E26 adapter (provided) provides mains connections
- See Dimming Guide for compatible dimmers

**Retention**

- Integral torsion springs and Push-N-Twist clips offer two mounting options
- Torsion springs are pre-installed and adjust to fit 5" or 6" compatible housings
- Push-N-Twist universal installation clips are pre-installed and designed to fit 5" or 6" compatible housings

**Designer Skins** (sold separately)

- RL56 skins are accessory rings that attach to the RL56 for a permanent finish. Refer to the RL56 accessories specification sheet for details.
  - White (Paintable)
  - Satin Nickel
  - Tuscan Bronze

**Gaskets**

- Closed cell gaskets achieve restrictive airflow requirements without additional caulking

**Compliance**

- UL Certified
- Wet and Damp location listed.
- Airtight certified per ASTM-E283
- Suitable for use in clothes closets when installed in accordance with the NEC 410.16 spacing requirements
- EMI/RFI emissions per FCC 47CFR Part 15 consumer limits
- Contains no mercury or lead and RoHS compliant
- Photometric testing in accordance with IES LM-79-08
- Lumen maintenance projections in accordance with IES LM-80-08 and TM-21-11
- Can be used for State of California Title 24 high efficacy luminaire compliance. Complies with Title 24 JA8-2016-E.
- Can be used International Energy Conservation Code (IECC) high efficiency luminaire compliance.
- ENERGY STAR® listed, reference database for current listings

**Warranty**

Five year limited warranty, consult website for details.  
www.eaton.com/lighting/legal



**RL56069S1EWH**  
**RL56099S1EWH**



**RL56129S1EWH**

**RL56**

**5/6-Inch All-Purpose LED Retrofit Module with SeleCCTable switch**

**up to 1272 lumens**

**FOR USE IN INSULATED CEILING AND NON- INSULATED CEILING RATED HOUSINGS**

**HIGH-EFFICACY LED WITH INTEGRAL DRIVER - DIMMABLE**



Refer to ENERGY STAR® Certified Products List. Can be used to comply with California Title 24 High Efficacy requirements. Certified to California Appliance Efficiency Database under JA8.

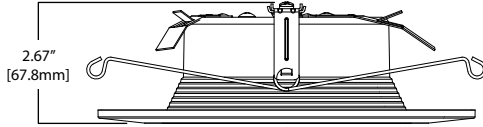


**Energy Data**

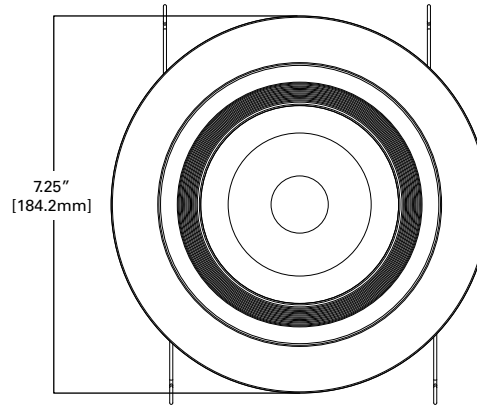
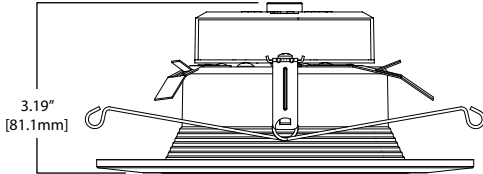
RL56069S1EWH		RL56099S1EWH		RL56129S1EWH	
Max. Lumens	712 @ 4000K	Max. Lumens	1006 @ 4000K	Max. Lumens	1272 @ 5000K
Input Voltage	120V	Input Voltage	120V	Input Voltage	120V
Input Frequency	50/60 Hz	Input Frequency	50/60 Hz	Input Frequency	50/60 Hz
Input Power	7.6W	Input Power	12.1W	Input Power	14W
Input Current	0.15 A	Input Current	0.15 A	Input Current	0.15 A
Power Factor	>0.90	Power Factor	>0.90	Power Factor	>0.90
THD	<20%	THD	<20%	THD	<20%
EMI/RFI	FCC Title 47 CFR, Part 15, Class B (Consumer)	EMI/RFI	FCC Title 47 CFR, Part 15, Class B (Consumer)	EMI/RFI	FCC Title 47 CFR, Part 15, Class B (Consumer)
Sound Rating	Class A	Sound Rating	Class A	Sound Rating	Class A
Minimum Starting Temp	-30°C (-22°F)	Minimum Starting Temp	-30°C (-22°F)	Minimum Starting Temp	-30°C (-22°F)

Dimensions

600/900 Lumen



1200 Lumen



Ordering Information

SAMPLE NUMBER: RL56069S1EWH

A complete luminaire consists of a housing, and LED module, order separately.

Models	Lumens	CRI/CCT	Driver	Finish	Accessories
RL56= 5"/6" all-purpose retrofit LED module	06=600 lumens (nominal) 09=900 lumens (nominal) 12=1200 lumens (nominal)	9S=90 CRI minimum, white tuning, selectable CCT 2700K-5000K	1E=120V 60Hz leading or trailing edge phase cut 1% dimming	WH=Matte white baffle	RL56TRMWHB =5"/6" White Paintable Trim Ring, Baffle RL56TRMSNB =5"/6" Satin Nickel Trim Ring, Baffle RL56TRMTBZB =5"/6" Tuscan Bronze Trim Ring, Baffle RL56TRMWH =5"/6" White Paintable Trim Ring RL56TRMSN =5"/6" Satin Nickel Trim Ring RL56TRMTBZ =5"/6" Tuscan Bronze Trim Ring

Housings

Halo LED 5-inch

- H550ICAT= 5" LED, Insulated Ceiling, Air-Tite, New Construction Housing
- H550RICAT= 5" LED, Insulated Ceiling, Air-Tite, Remodel Housing
- E550ICAT= 5" LED, Insulated Ceiling, Air-Tite, New Construction Housing
- E550RICAT= 5" LED, Insulated Ceiling, Air-Tite, Remodel Housing

Halo LED 6-inch

- H750ICAT= 6" LED, Insulated Ceiling, Air-Tite, New Construction Housing
- H750RICAT= 6" LED, Insulated Ceiling, Air-Tite, Remodel Housing
- H750T= 6" LED, Non-IC, Air-Tite, New Construction Housing
- H750TCP= 6" LED, Non-IC, New Construction/Remodel Chicago Plenum Housing
- H2750ICAT= 6" LED, Shallow, Insulated Ceiling, Air-Tite, New Construction (use with 691X, 694X, 696X trims only)
- H2750RICAT= 6" LED, Shallow, Insulated Ceiling, Air-Tite, Remodel (use with 691X, 694X, 696X trims only)
- E750ICAT= 6" LED, Insulated Ceiling, Air-Tite, New Construction Housing
- E750RICAT= 6" LED, Insulated Ceiling, Air-Tite, Remodel Housing

Halo LED retrofit

- ML7E26RFK= 6" Retrofit Enclosure, Non-IC, E26 Screw base Interface
- ML7BXXFK= 6" Retrofit Enclosure, Non-IC, BX Whip

Halo Shallow Housings 5-inch

- H25ICAT= 5" Shallow, Insulated Ceiling, Air-Tite New Construction
- H25RICAT= 5" Shallow, Insulated Ceiling, Air-Tite Remodel
- H25ICATNB= 5" Shallow, Insulated Ceiling, Air-Tite New Construction, No Socket Bracket

Halo Shallow Housings 6-inch

- H27ICAT= 6" Shallow, Insulated Ceiling, Air-Tite New Construction
- H27RICAT= 6" Shallow, Insulated Ceiling, Air-Tite Remodel Housing
- H27T= 6" Shallow, Non-IC, New Construction Housing
- H27RT= 6" Shallow, Non-IC, Remodel Housing
- E27ICAT= 6" Shallow, Insulated Ceiling, Air-Tite New Construction
- E27RICAT= 6" Shallow, Insulated Ceiling, Air-Tite Remodel Housing
- E27TAT= 6" Shallow, Non-IC, New Construction Housing
- E27RTAT= 6" Shallow, Non-IC, Remodel Housing

Halo Standard Housings 5-inch

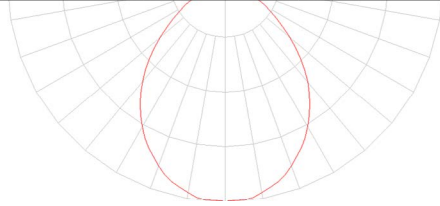
- H5ICAT= 5" Insulated Ceiling, Air-Tite New Construction Housing
- H5RICAT= 5" Insulated Ceiling, Air-Tite Remodel Housing
- H5ICATNB= 5" Insulated Ceiling, Air-Tite New Construction Housing, No Socket Bracket
- H5T= 5" Non-IC, New Construction Housing
- H5RT= 5" Non-IC, Remodel Housing
- H5TNB= 5" Non-IC, New Construction Housing, No Socket Bracket
- E5ICAT= 5" Insulated Ceiling, Air-Tite New Construction Housing
- E5RICAT= 5" Insulated Ceiling, Air-Tite Remodel Housing
- E5ICATNB= 5" Insulated Ceiling, Air-Tite New Construction Housing, No Socket Bracket
- E5TAT= 5" Non-IC, New Construction Housing
- E5RTAT= 5" Non-IC, Remodel Housing
- E5TATNB= 5" Non-IC, New Construction Housing, No Socket Bracket

Halo Standard Housings 6-inch

- H7ICAT= 6" Insulated Ceiling, Air-Tite New Construction Housing
- H7RICAT= 6" Insulated Ceiling, Air-Tite Remodel Housing
- H7ICT= 6" Insulated Ceiling, New Construction Housing
- H7RICT= 6" Insulated Ceiling, Remodel Housing
- H7ICATNB= 6" Insulated Ceiling, Air-Tite New Construction Housing, No Socket Bracket
- H7ICTNB= 6" Insulated Ceiling, New Construction Housing, No Socket Bracket
- H7T= 6" Non-IC, New Construction Housing
- H7RT= 6" Non-IC, Remodel Housing
- H7TNB= 6" Non-IC, New Construction Housing, No Socket Bracket
- H7TCP= 6" Non-IC, Chicago Plenum, New Construction/Remodel Housing
- H7UICAT= 6" Insulated Ceiling, Universal, Air-Tite, New Construction Housing
- E7ICAT= 6" Insulated Ceiling, Air-Tite New Construction Housing
- E7RICAT= 6" Insulated Ceiling, Air-Tite Remodel Housing
- E7ICATNB= 6" Insulated Ceiling, Air-Tite New Construction Housing, No Socket Bracket
- E7TAT= 6" Non-IC, New Construction Housing
- E7RTAT= 6" Non-IC, Remodel Housing
- E7TATNB= 6" Non-IC, New Construction Housing, No Socket Bracket

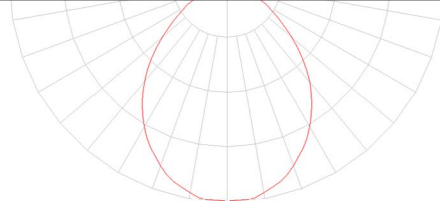
Photometric Data

RL56069S1EWH-3000K		
Luminaire lumens	665	
Input watts	7.6	
LER (LPW)	87.5	
Spacing Criteria	0-180	1.14
	90-270	1.14
	Diagonal	1.22
Beam angle (degrees)	87.8	
Field angle (degrees)	139	
Zonal lumen	Lumens	% Lumens
0-30	247	37.2
0-40	387	58.2
0-60	595	89.4
0-90	665	100



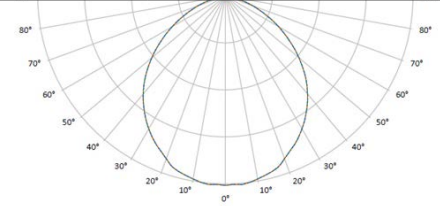
\* Tested in accordance with IES LM63. Field results may vary.

RL56099S1EWH-3000K		
Luminaire lumens	940	
Input watts	12.1	
LER (LPW)	77.7	
Spacing Criteria	0-180	1.16
	90-270	1.16
	Diagonal	1.22
Beam angle (degrees)	88.9	
Field angle (degrees)	140	
Zonal lumen	Lumens	% Lumens
0-30	345	36.7
0-40	541	57.5
0-60	838	89.1
0-90	940	100



\* Tested in accordance with IES LM63. Field results may vary.

RL56129S1EWH-3000K		
Luminaire lumens	1221	
Input watts	14	
LER (LPW)	87.2	
Spacing Criteria	0-180	1.21
	90-270	1.21
	Diagonal	1.31
Beam angle (degrees)	93	
Field angle (degrees)	140	
Zonal lumen	Lumens	% Lumens
0-30	345	31.7
0-40	541	51.5
0-60	838	85.5
0-90	940	100



\* Tested in accordance with IES LM63. Field results may vary.

Color Metric Summary

TM-30-15	R <sub>r</sub> = 89.8
	R <sub>g</sub> = 98
CRI/CIE	R <sub>a</sub> = 93.7
	R <sub>9</sub> = 69.1



CCT - Range of 2700K- 5000K



Color Metric Summary

TM-30-15	R <sub>r</sub> = 89.9
	R <sub>g</sub> = 97.7
CRI/CIE	R <sub>a</sub> = 93.1
	R <sub>9</sub> = 64.6



CCT - Range of 2700K- 5000K



Color Metric Summary

TM-30-15	R <sub>r</sub> = 89.9
	R <sub>g</sub> = 97.7
CRI/CIE	R <sub>a</sub> = 93.1
	R <sub>9</sub> = 64.6



CCT - Range of 2700K- 5000K



Product Specifications

PRODUCT SPECIFICATIONS	
Lumens	665
Watts	7.6
Lumens Per Watt (Efficacy)	87.5
Color Accuracy (CRI)	92
Light Color (CCT)	3000K
Correlated Color Temperature (CCT)	
warm white	soft white
2700K	3000K
4500K	6500K

PRODUCT SPECIFICATIONS	
Lumens	940
Watts	12.1
Lumens Per Watt (Efficacy)	77.69
Color Accuracy (CRI)	90
Light Color (CCT)	3000K
Correlated Color Temperature (CCT)	
warm white	soft white
2700K	3000K
4500K	6500K

PRODUCT SPECIFICATIONS	
Lumens	1221
Watts	14
Lumens Per Watt (Efficacy)	87
Color Accuracy (CRI)	92
Light Color (CCT)	3000K
Correlated Color Temperature (CCT)	
warm white	soft white
2700K	3000K
4500K	6500K