

## DESCRIPTION

The Halo RL4 Deep Baffle is a complete LED Baffle-Trim Module for 4-inch aperture recessed downlights; suitable for new construction, remodel and retrofit installation. The regressed lens provides uniform illumination and wet location listing. Precision construction makes any housing AIR-TITE for added savings and code compliance.

Catalog #		Type
Project		
Comments		Date
Prepared by		

## SPECIFICATION FEATURES

### MODULE - TRIM

- Module construction includes LED Array, heat sink, reflector, lens, baffle and trim ring.
- Regressed Coilex baffle
- Heat sink designed to conduct heat away from the LED Array, keeping the junction temperatures below specified maximums, even when installed in insulated ceiling environments.

### LED ARRAY

- Mid power LED array provides a uniform source with high efficiency and no pixilation.
- 90 CRI minimum, R9 greater than 50
- Color accuracy within 3 SDCM provide color accuracy and uniformity

### OPTICAL ASSEMBLY

- Regressed lens
- Impact-resistant polycarbonate
- Convex form and lamp-like appearance
- Diffuse for even illumination

### BAFFLES

- Each unit comes with a white baffle insert and black baffle insert.

### DRIVER

- Integral 120V 50/60 Hz constant current driver provides noise free operation
- Continuous, flicker-free dimming from 100% to 5%.
- Inline electrical quick connect and E26 adapter (provided) provides mains connections
- Consult instruction sheets and quick start guide for more information

### RETENTION

- Precision formed spring blades secure module with friction fit to compatible housings.
- Friction blade design allows the RA4 to be installed in any position within the housing aperture (360 degrees)

### GASKETS

- Closed cell gaskets achieve restrictive airflow requirements without additional caulking

### COMPLIANCE

- UL Certified
- Wet and Damp location listed
- Airtight certified per ASTM-E283
- Suitable for use in clothes closets when installed in accordance with the NEC 410.16 spacing requirements
- EMI/RFI emissions per FCC 47CFR Part 15 consumer limits
- Contains no mercury or lead and RoHS compliant
- Photometric testing in accordance with IES LM-79-08
- Lumen maintenance projections in accordance with IES LM-80-08 and TM-21-11
- Can be used for State of California Title 24 high efficacy luminaire compliance. Complies with Title 24 JA8-2016-E.
- Can be used International Energy Conservation Coe (IECC) and Washington State Energy Code high efficiency luminaire compliance.
- ENERGY STAR® listed, reference database for current listings
- Meets State of California voluntary lamp standards
- Lighting Facts labeled

### WARRANTY

- Five year limited warranty, consult website for details. [www.eaton.com/lighting/legal](http://www.eaton.com/lighting/legal)



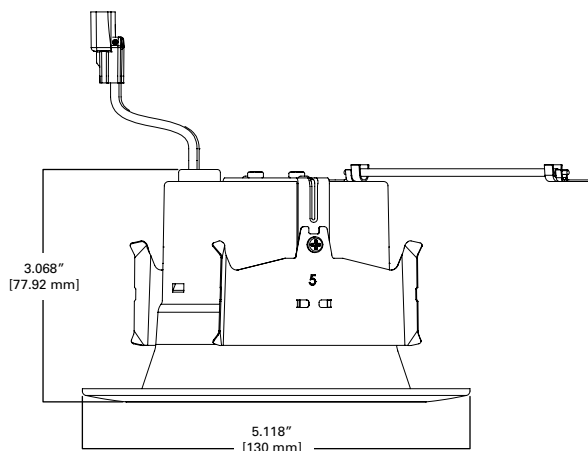
## RL4 Deep Baffle

**4-Inch All-Purpose LED Retrofit Module**  
**600 Lumen Series**

**FOR USE IN INSULATED CEILING AND NON- INSULATED CEILING RATED HOUSINGS**

**HIGH-EFFICACY LED WITH INTEGRAL DRIVER - DIMMABLE**

## DIMENSIONS



Refer to ENERGY STAR® Certified Products List. Can be used to comply with California Title 24 High Efficacy requirements. Certified to California Appliance Efficiency Database under JA8.



### ENERGY DATA @ 3000K

Lumens	681
Wattage	8.5W
Input current	0.073A
Efficacy	80.1 LPW
THD	17.5%
Frequency	60 Hz
T Ambient	-30 - +40°C
Voltage	120V
Sound Rating	Class A
Power Factor	0.99

## ORDERING INFORMATION

**SAMPLE NUMBER:** RLD4069301EWH

A complete luminaire consists of a housing, and LED module, order separately.

Models	Lumens	CRI / CCT	Driver	Finish	Accessories
<b>RLD4</b> = 4" deep baffle retrofit LED module	<b>06</b> =600 lumen (nominal)	<b>930</b> =90 CRI minimum, 3000K CCT	<b>1E</b> = 120V 50/60Hz leading or trailing edge phase cut 1% dimming	<b>WH</b> = matte white trim, white baffle and black baffle included	

## Housings

### Halo Ultra-shallow LED Housings

**H245ICAT**=4" IC, airtight ultra-shallow new construction housing, LED, 120 - 277V

**H245RICAT**=4" IC, airtight ultra-shallow remodeler housing, LED, 120 - 277V

### Halo LED Housings

**H995ICAT**=4" IC, airtight shallow new construction housing, LED, 120 - 277V

**H995RICAT**=4" IC, airtight shallow remodeler housing, LED, 120 - 277V

**E995ICAT**=4" IC, airtight shallow new construction housing, LED, 120 - 277V

**E995RICAT**=4" IC, airtight shallow remodeler housing, LED, 120 - 277V

### Halo Housings

**H99TAT**=4" non-IC, airtight shallow new construction housing, E26, 120V

**H99RTAT**=4" non-IC, airtight shallow remodeler housing, E26, 120V

**H99ICAT**=4" IC, airtight shallow new construction housing, E26, 120V

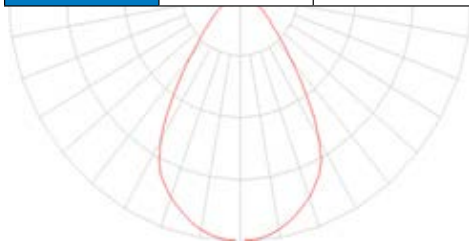
**E4TATSB**=4" non-IC, airtight shallow new construction housing, adjustable socket bracket, E26, 120V

**E4RTATSB**=4" non-IC, airtight shallow remodeler housing, adjustable socket bracket, E26, 120V

**E4ICATSB**=4" IC, airtight shallow new construction housing, adjustable socket bracket, E26, 120V

## Photometric Data

RLD4069301EWH		
Luminaire lumens	681	
Input watts	8.5	
LER (LPW)	80.1	
Spacing Criteria	0-180	1.08
	90-270	1.08
	Diagonal	1.04
Beam angle (degrees)	70.3	
Field angle (degrees)	117.4	
Zonal lumen	Lumens	% Lumens
0-30	343	50.3
0-40	492	75.5
0-60	629	92.4
0-90	681	100



\* Tested in accordance with IES LM63. Field results may vary.

## Color Metric Summary

TM-30-15	R <sub>r</sub> = 91
	R <sub>g</sub> = 99
CRI/CIE	R <sub>a</sub> = 92
	R <sub>9</sub> = 67.4



55°

CCT - Range of 2700K- 5000K



## Product Specifications

PRODUCT SPECIFICATIONS	
Lumens	681
Watts	8.5
Lumens Per Watt (Efficacy)	80.1
Color Accuracy (CRI)	91
Light Color (CCT)	3000K
Correlated Color Temperature (CCT)	
warm white	soft white
2700K	3000K
4500K	bright white
6500K	

Performance metrics are measured using white baffle.