

Order Information

SAMPLE ORDER NUMBER: **RL6069FSD2W1EWHDM**

4-inch	Lumens	CRI / CCT	Driver	Finish	Installation
4-inch	Lumens	CRI / CCT	Driver	Finish	Installation
RL4 = 4-inch canless recessed LED downlight	LS = 600/900 selectable lumens (nominal)	9FSD2W = 90 CRI, selectable CCT with D2W option	1E = 120V 60Hz, LE & TE phase cut 5% dimming	WH = matte white flange	DM = direct mount canless installation
Notes	Notes	Notes	Notes	Notes	Notes

4-inch Accessories

4-inch Accessories	
RL4TRMWHB = 4-inch overlay, Matte White, Baffle RL4TRMWBB = 4-inch overlay, Matte Black, Baffle RL4TRMSNB = 4-inch overlay, Satin Nickel, Baffle RL4TRMTBZB = 4-inch overlay, Tuscan Bronze, Baffle RL4TRMWH = 4-inch overlay, Matte White, Splay RL4TRMMB = 4-inch overlay, Matte Black, Splay RL4TRMSN = 4-inch overlay, Satin Nickel, Splay RL4TRMTBZ = 4-inch overlay, Tuscan Bronze, Splay	HL4RSMF = 4" round and square mounting frame HLB06BLEEC = 6 ft. extension cable HLB12BLEEC = 12 ft. extension cable HLB20BLEEC = 20 ft. extension cable
Notes	

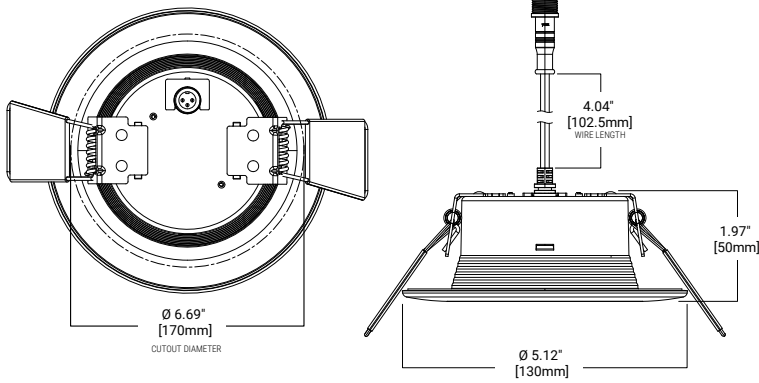
6-inch	Lumens	CRI / CCT	Driver	Finish	Installation
6-inch	Lumens	CRI / CCT	Driver	Finish	Installation
RL6 = 6-inch canless recessed LED downlight	06 = 600 selectable lumens (nominal) LS = 900/1200 selectable lumens (nominal)	9FSD2W = 90 CRI, selectable CCT with D2W option	1E = 120V 60Hz, LE & TE phase cut 5% dimming	WH = matte white flange	DM = direct mount canless installation
Notes	Notes	Notes	Notes	Notes	Notes

6-inch Accessories

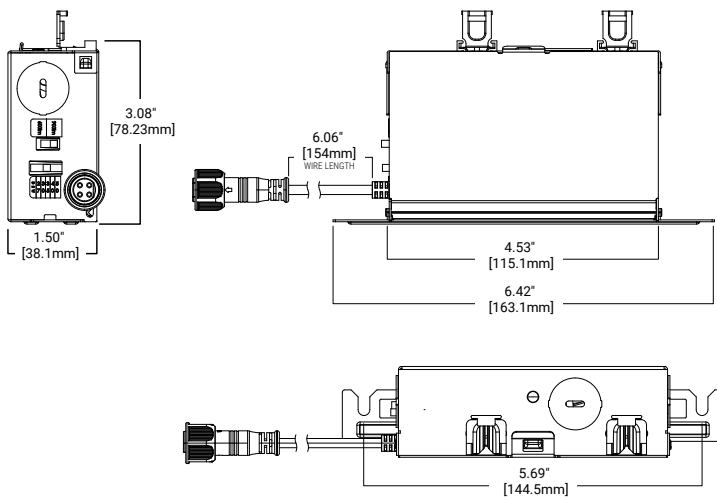
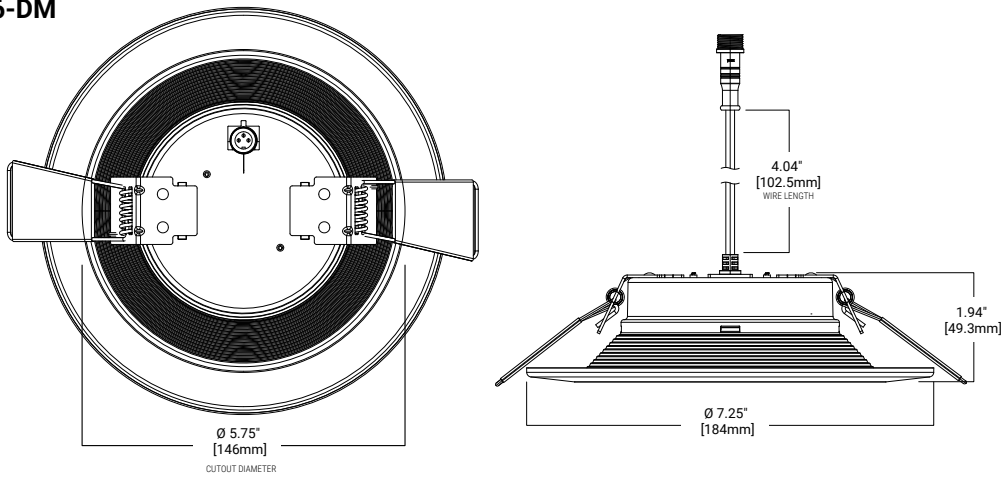
6-inch Accessories
HL6RSMF = 6" round and square mounting frame HLB06BLEEC = 6 ft. extension cable HLB12BLEEC = 12 ft. extension cable HLB20BLEEC = 20 ft. extension cable
Notes

Dimensional and Mounting Details

RL4-DM



RL6-DM



Product Specifications

Selectable System

- Use the CCT select switch to choose between D2W, 2700K, 3000K, 3500K, 4000K, and 5000K CCT
- D2W option starts at 3000K and warms to 1800K as fixture dims
- Use the lumen select switch on lumen selectable fixtures to choose brightness level

Module – Trim

- Module construction includes LED array, heat sink, reflector, lens, baffle and trim ring
- Regressed baffle
- Heat sink designed to conduct heat away from the LED Array

LED Array

- Mid power LED array provides a uniform source with high efficiency and no pixilation
- 90 CRI minimum, R9 greater than 50
- Color accuracy at 4 SDCM in between endpoints, provide color accuracy and uniformity.
- Color Temperature (CCT) is set to a factory default of 3000K

Optical Assembly

- Regressed lens
- Impact-resistant polycarbonate
- Convex form and lamp-like appearance
- Diffuse for even illumination

Gaskets

- Closed cell gaskets achieve restrictive airflow requirements without additional caulking

Driver

- Integral 120V 60 Hz constant current driver provides noise free operation
- Continuous, flicker-free dimming from 100% to 5%
- See Dimming Guide for compatible dimmers

Remote Driver/ Junction Box

- Aluminum driver / junction box with captive hinged junction box cover
- Listed for (6) #12 AWG 90° C splice conductors, 2-in, 2-out plus (2) ground
- (2) ½" conduit pry-outs
- (2) Slide-N-Side™ non-metallic (NM) wire traps all
- Accepts 14-2, 14-3, 12-2, 12-3 U.S and 14-2, 14-3, 12-2 Canadian NM cable
- (3) 4-port push wire nuts with clear caps for quick and reliable mains voltage connections
- Integral keyhole mounting slots facilitate direct mounting to building structure or new construction mounting frame

Mounting / Retention

- The RL Direct Mount Series requires no housing or third-party junction box
- The remote enclosure may be used in direct contact with insulation. Installer must cut template out of drywall and install into aperture with the clips compressed.
- When released, the spring clips will rest on to the back side of the drywall
- Not for installation in recessed cans

Compliance

- UL Certified US and Canada Type IC suitable for direct contact with air permeable insulation
- Wet and Damp location listed. Not recommended for use in direct contact with spray foam insulation, reference NEMA LSD57-2013
- Airtight certified per ASTM-E283
- Suitable for use in clothes closets when installed in accordance with the NEC 410.16 spacing requirements
- EMI/RFI emissions per FCC 47CFR Part 15 consumer limits
- Contains no mercury or lead and RoHS compliant
- Photometric testing in accordance with IES LM-79-08
- Lumen maintenance projections in accordance with IES LM-80-08 and TM-21-11
- Can be used for State of California Title 24 high efficacy luminaire compliance. Complies with Title 24 JA8-2022-E.
- Can be used International Energy Conservation Code (IECC) high efficiency luminaire compliance.
- ENERGY STAR® listed, reference database for current listings
- IP44 Ingress Protection rated

Warranty

- Five year limited warranty, consult website for details. www.cooperlighting.com/warranty

Energy Data

RL4 - 600/900 Lumen

Lumens	600/900
Input Voltage	120V
Input current	90mA
Input Power	10.5W
Efficiency	78.99%
Inrush(A)	1.22
THD	16
PF	0.971
Sound Rating	<=22dba

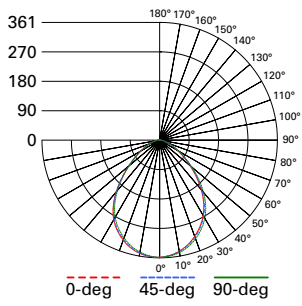
RL56 - 600 Lumen

Lumens	600
Input Voltage	120V
Input current	63mA
Input Power	7.2W
Efficiency	77.69%
Inrush(A)	1.66
THD	18.7
PF	0.956
Sound Rating	<=22dba

RL56 - 900/1200 Lumen

Lumens	900/1200
Input Voltage	120V
Input current	110mA
Input Power	13W
Efficiency	80.50%
Inrush(A)	1.31
THD	13.8
PF	0.997
Sound Rating	<=22dba

Photometric Data



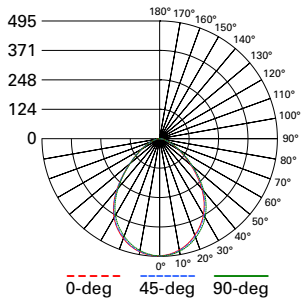
RL4LS9FSD2W1EWHDM -600LM -3000K

Spacing criterion:
 (0-180) 1.15 | (90-270) 1.15 | (Diagonal) 1.2
 Beam Angle: 86°
 Field Angle: 137°
 Lumens: 695
 Input Watts: 7.6 W
 Efficacy: 91.4 LPW
 UGR: 19
 Test Report: P639480

Zonal Lumen	Lumens	% Lumens
0-30	267	38.4
0-40	418	60.1
0-60	625	89.9
0-90	695	100

TM-30-15	Rf = 92
	Rg = 103
CRI/CIE	Ra = 96.3
	R9 = 85

CCT - Range of 2700K- 5000K



RL4LS9FSD2W1EWHDM -900LM -3000K

Spacing criterion:
 (0-180) 1.15 | (90-270) 1.15 | (Diagonal) 1.2
 Beam Angle: 86°
 Field Angle: 137°
 Lumens: 955
 Input Watts: 11.5 W
 Efficacy: 83 LPW
 UGR: 20
 Test Report: P639485

Zonal Lumen	Lumens	% Lumens
0-30	367	38.4
0-40	574	60.1
0-60	858	89.9
0-90	955	100

TM-30-15	Rf = 92
	Rg = 103
CRI/CIE	Ra = 96.3
	R9 = 85

CCT - Range of 2700K- 5000K

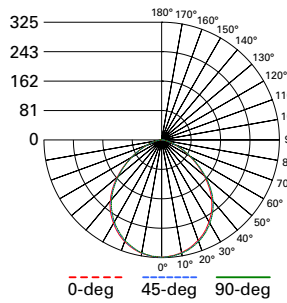


Product Specifications

RL4LS9FSD2W1EWHDM

PRODUCT SPECIFICATIONS	
Lumens	955
Watts	11.5
Lumens Per Watt (Efficacy)	83
Color Accuracy (CRI)	93
Light Color (CCT)	3000K
Correlated Color Temperature (CCT)	
warm white	soft white
2700K	3000K
4500K	6500K

Photometric Data



RL6069FSD2W1EWHDM -600LM -3000K

Spacing criterion:
 (0-180) 1.21 | (90-270) 1.21 | (Diagonal) 1.3
 Beam Angle: 98°
 Field Angle: 145°
 Lumens: 750
 Input Watts: 7.5 W
 Efficacy: 100 LPW
 UGR: 19
 Test Report: P639505

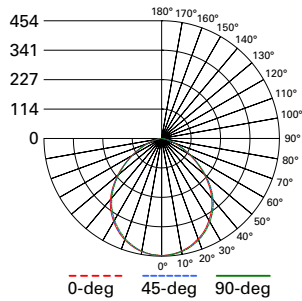
Zonal Lumen	Lumens	% Lumens
0-30	247	33
0-40	399	53.2
0-60	655	87.3
0-90	750	100

TM-30-15	Rf = 93
	Rg = 103
CRI/CIE	Ra = 96.4
	R9 = 87

CCT - Range of 2700K-5000K



98°



RL6LS9FSD2W1EWHDM -900LM -3000K

Spacing criterion:
 (0-180) 1.21 | (90-270) 1.21 | (Diagonal) 1.3
 Beam Angle: 98°
 Field Angle: 145°
 Lumens: 1050
 Input Watts: 9.9 W
 Efficacy: 106.1 LPW
 UGR: 20
 Test Report: P639515

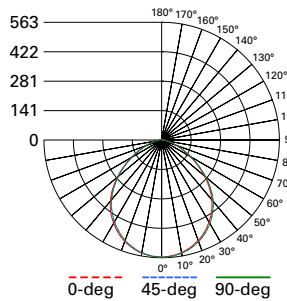
Zonal Lumen	Lumens	% Lumens
0-30	346	33
0-40	558	53.2
0-60	916	87.3
0-90	1050	100

TM-30-15	Rf = 92
	Rg = 103
CRI/CIE	Ra = 95.6
	R9 = 81

CCT - Range of 2700K-5000K



98°



RL6LS9FSD2W1EWHDM -1200LM -3000K

Spacing criterion:
 (0-180) 1.21 | (90-270) 1.21 | (Diagonal) 1.3
 Beam Angle: 98°
 Field Angle: 145°
 Lumens: 1300
 Input Watts: 13.8 W
 Efficacy: 94.2 LPW
 UGR: 20
 Test Report: P639510

Zonal Lumen	Lumens	% Lumens
0-30	429	33
0-40	691	53.2
0-60	1135	87.3
0-90	1300	100

TM-30-15	Rf = 92
	Rg = 103
CRI/CIE	Ra = 95.6
	R9 = 81

CCT - Range of 2700K-5000K



98°

Product Specifications

RL6069FSD2W1EWHDM

PRODUCT SPECIFICATIONS	
Lumens	750
Watts	7.5
Lumens Per Watt (Efficacy)	100
Color Accuracy (CRI)	93
Light Color (CCT)	3000K
Correlated Color Temperature (CCT)	
warm white	soft white
2700K	3000K
4500K	6500K

RL6LS9FSD2W1EWHDM

PRODUCT SPECIFICATIONS	
Lumens	1330
Watts	13.8
Lumens Per Watt (Efficacy)	96.4
Color Accuracy (CRI)	93
Light Color (CCT)	3000K
Correlated Color Temperature (CCT)	
warm white	soft white
2700K	3000K
4500K	6500K