

DESCRIPTION

Recessed 4-inch LED square downlight with field interchangeable optics deliver narrow, medium and wide distribution patterns ideal for general area lighting. Luminaire is airtight and can be installed in new construction or below the ceiling in renovation applications. Field selectable color temperatures and lumen packages providing additional flexibility. Intended applications include professional offices, healthcare, hospitality, schools, house of worship and other institutional uses.

Catalog #		Type
Project		
Comments		Date
Prepared by		

SPECIFICATION FEATURES

Housing Frame

- Boat shaped galvanized steel plaster frame with adjustable square plaster lip accommodates 1/2" to 1-1/2" thick ceilings
- May be installed in new construction; or from below the ceiling in non-accessible ceilings and in remodeling
- Provided with (4) remodel clips to secure the frame when installing from below the ceiling

Universal Mounting Bracket

- Mounting bracket adjusts 2" vertically from above the ceiling or thru the aperture
- Use with included mounting bars or 1/2" EMT
- Removable to facilitate installation from below the ceiling

Mounting Bars

- Captive preinstalled No Fuss™ mounting bars lock to tee grid with screwdriver or pliers
- Centering mechanism allows for consistent positioning of fixtures

LED Module

- Patented SeleCCTable™ technology allows color temperature and lumen output to be selected in the field
- Discrete (fixed) lumen output is also available to meet lighting power density code requirements
- Available in 80 CRI minimum with color accuracy within 3 SDCM (refer to chromaticity tech sheet online for details www.eaton.com/lighting)
- Integral connector allows for quick connection to the housing flex
- Passive cooling achieves L70 at 50,000 hours

Primary Optic

- Precision molded square TIR (Total Internal Reflection) optics deliver highly efficient and uniform patterns
- Available in narrow, medium and wide distribution and can be interchanged without tools

Reflector

- Self-flanged downlight reflectors are available in shallow and deep regression
- Linear spread lens wall wash reflector matches tall downlight profile
- Reflectors are on non-conductive polymer construction, and may be used to meet local code requirements for 'dead front'
- Reflectors attach to LED module with (3) speed clamps
- Multiple painted or plated finishes are available

Reflector Retention

- Reflector / module assembly is securely retained in the housing with (2) torsion springs

Driver

- Field replaceable constant current driver provides low noise operation
- UNV 120-277VAC 50/60Hz input standard
- Continuous, flicker-free 1% dimming with 0-10V analog control
- Optional low voltage DC driver for use with Eaton's DLVP distributed low voltage power system*

Emergency Option

- Provides 90 minutes of standby lighting meeting most life safety codes for egress lighting
- Available with remote charge indicator and test switch

Connected Lighting System Options*

- WaveLinX tile mount daylight sensor includes control module, sensor and cable providing comprehensive lighting control
- LumaWatt Pro (powered by Enlighted) wireless tile mount sensor and control kit

Junction Box

- Galvanized steel junction box
- 20in³ internal volume excluding voltage barrier
- 25 in³ internal total volume
- Voltage divider for 0-10V dimming wires [occupies (1) 1/2" pry-out space]

- Listed for (8) #12 AWG (four in, four out) 90° C conductors and feed-thru branch wiring
- (3) 1/2" and (2) 3/4" trade size pry-outs available
- (3) 4-port push wire nuts for mains voltage, with 1-port for fixture connection

Compliance

- cULus damp and wet location listed in protected ceilings; and IP20 - Above finished ceiling; IP64 - Below finished ceiling
- Fixed factory set 1000 and 1500 lm housing frames are Type IC thermally protected and suitable for direct contact to air permeable insulation
- Not for use in direct contact with spray foam insulation, consult NEMA LSD57-2013
- All field selectable 1000, 1500, 2000, 3000 and 4000 lm FS12 and FS24 housing frames are non-IC rated, insulation must be kept 3" from top and sides
- Airtight per ASTM-E283-04
- Suitable for use in clothes closets when installed in accordance with the NEC 410.16 spacing requirements
- EMI/RFI emissions per FCC 47CFR Part 15 non-consumer limits
- Contains no mercury or lead and RoHS compliant
- Photometric testing in accordance with IES LM-79-08
- Lumen maintenance projections in accordance with IES LM-80-08 and TM-21-11
- Can be used to comply with the State of California Title 24 non-residential lighting controls requirements as a LED luminaire
- ENERGY STAR® listed for commercial applications, reference certified light fixtures database

Warranty

- Five year limited warranty, consult website for details. www.eaton.com/lighting/legal

*Refer to DLVP, WaveLinX and LumaWatt Pro specifications and design guides online.



PRS4

SM4

41S

44S

**4-inch Square
Lens Downlight
and Lens Wall Wash**

**Featuring
SeleCCTable™ color
temperature
AND
Selectable lumens**

**1000/1500/2000/
3000/4000 Lumen**



ENERGY DATA

SM4128FS LED MODULE LOW LUMEN RANGE

Series	1000 lumen	
Input Voltage 120-277VAC	120V	277V
Input Current (A)	0.089	0.043
Input Power (W)	10.5	11
In-rush (A)	8.9	22.2
In-rush Duration (ms)	0.145	0.118
THD (%)	<15.1	<16.7
PF	≥ 0.98	≥ 0.92
(Nominal input 120-277VAC & 100% of rated output power)		
Minimum starting temperature	-40 C (-40 F)	
Sound Rating:	Class A standards	

Series	1500 lumen	
Input Voltage 120-277VAC	120V	277V
Input Current (A)	0.112	0.052
Input Power (W)	13.4	13.8
In-rush (A)	9.9	24.8
In-rush Duration (ms)	0.198	0.107
THD (%)	<13.3	<15.5
PF	≥ 0.98	≥ 0.94
(Nominal input 120-277VAC & 100% of rated output power)		
Minimum starting temperature	-40 C (-40 F)	
Sound Rating:	Class A standards	

Series	2000 lumen (low lumen)	
Input Voltage 120-277VAC	120V	277V
Input Current (A)	0.178	0.079
Input Power (W)	21.3	21.4
In-rush (A)	8	19.1
In-rush Duration (ms)	0.185	0.133
THD (%)	<8.2	<10.6
PF	≥ 0.99	≥ 0.97
(Nominal input 120-277VAC & 100% of rated output power)		
Minimum starting temperature	-40 C (-40 F)	
Sound Rating:	Class A standards	

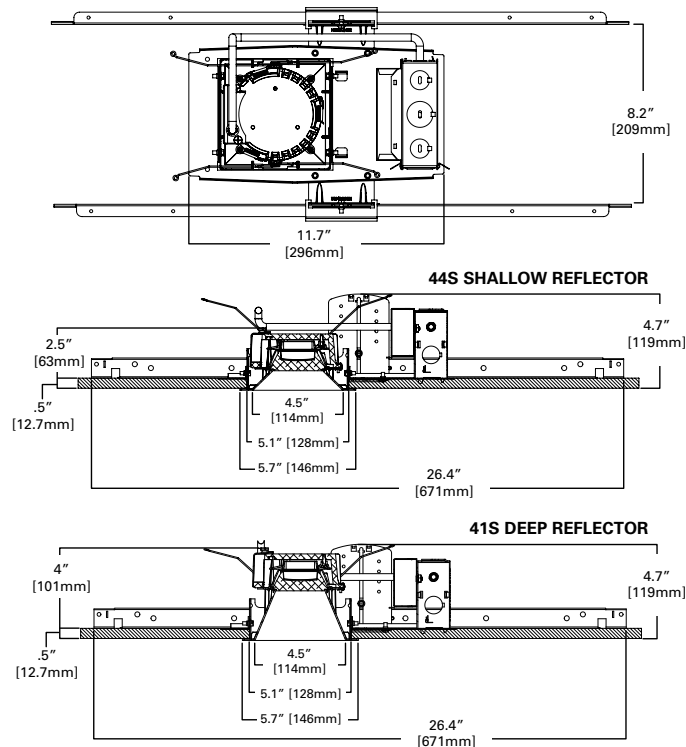
SM4348FS LED MODULE HIGH LUMEN RANGE

Series	3000 lumen	
Input Voltage 120-277VAC	120V	277V
Input Current (A)	0.225	0.101
Input Power (W)	26.9	27
In-rush (A)	11.6	27.9
In-rush Duration (ms)	0.187	0.081
THD (%)	<9.05	<11.8
PF	≥ 0.99	≥ 0.96
(Nominal input 120-277VAC & 100% of rated output power)		
Minimum starting temperature	-40 C (-40 F)	
Sound Rating:	Class A standards	

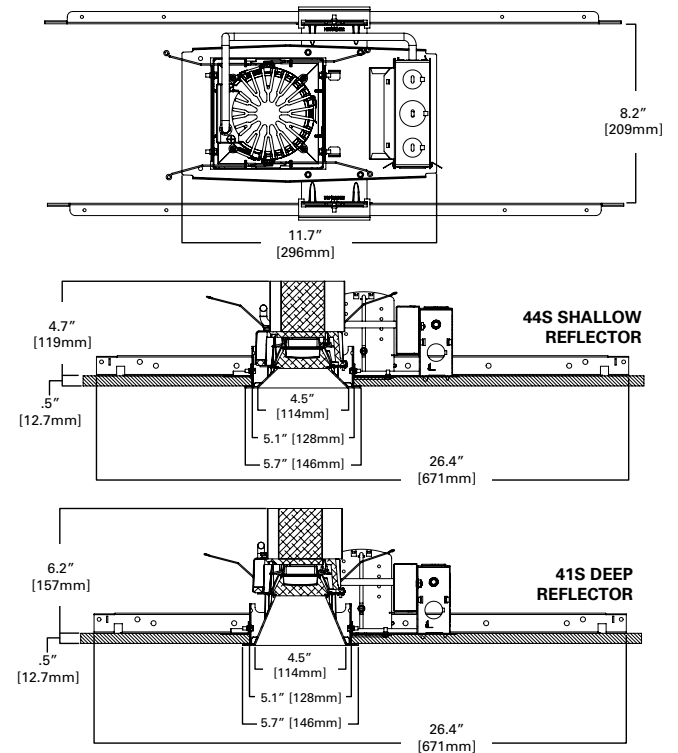
Series	4000 lumen	
Input Voltage 120-277VAC	120V	277V
Input Current (A)	0.332	0.145
Input Power (W)	39.8	39.4
In-rush (A)	12.8	27.5
In-rush Duration (ms)	0.211	0.107
THD (%)	<5.9	<8.8
PF	≥ 0.99	≥ 0.98
(Nominal input 120-277VAC & 100% of rated output power)		
Minimum starting temperature	-40 C (-40 F)	
Sound Rating:	Class A standards	

DIMENSIONS

4", LOW LUMEN MODULE (1000 - 1500 - 2000 LUMEN)



4", HIGH LUMEN MODULE (3000 - 4000 LUMEN)



MAX HEIGHT (above finished ceiling)

LED MODULE	SM4128FS low lumen module	SM4348FS high lumen module
LUMEN RANGE	1000-1500-2000 Lumens	3000-4000 Lumens
41S Deep Reflector	4.2"	6.2"
44S Shallow Reflector	4.2" (2.5" w/out bar bracket)	4.7"

Ordering Information

Sample Number: PRS4FS34D010REM7 - SM4348FS - 41SMDH

A complete luminaire consists of a mounting frame, LED module, and reflector (ordered separately)

Ordering Information, 120-277VAC, 0-10V analog dimming

Housing Frame	Lumens	Input / Control	Options
PRS4 = 4" square new construction and remodeler housing	<p>Field Selectable</p> <p>FS12 = field selectable 1000, 1500 and 2000 lumens (nominal), use with SM4128FS LED module</p> <p>FS34 = field selectable 3000 and 4000 lumens (nominal), use with SM4348FS LED module</p> <p>Fixed, Factory Set</p> <p>10 = 1000 lumens (nominal), use with SM4128FS LED module (Type IC rated)</p> <p>15 = 1500 lumens (nominal), use with SM4128FS LED module (Type IC rated)</p> <p>30 = 3000 lumens (nominal), use with SM4348FS LED module</p>	D010 =120-277VAC, 50/60Hz, 0-10V analog 1% dimming	<p>REM7=7 watt emergency module with remote test / indicator light, use with D010 only</p> <p>REM14=14 watt emergency module with remote test / indicator light, use with D010 only</p> <p>LWTPD1=Factory installed LumaWatt Pro wireless tile mount sensor kit, D010 only</p> <p>SWPD1=Factory installed WaveLinX tile mount daylight sensor, includes control module, sensor and cable D010 only</p>

Ordering Information, Distributed Low Voltage Power - for use with Eaton DLVP system only

Housing Frame	Lumens	Input / Control	Options
PRS4 = 4" square new construction and remodeler housing	<p>Fixed, Factory Set</p> <p>10 = 1000 lumens (nominal), use with SM4128FS LED module (Type IC rated)</p> <p>15 = 1500 lumens (nominal), use with SM4128FS LED module (Type IC rated)</p> <p>20 = 2000 lumens (nominal), use with SM4128FS LED module</p> <p>30 = 3000 lumens (nominal), use with SM4348FS LED module</p> <p>40 = 4000 lumens (nominal), use with SM4348FS LED module</p>	DLV =distributed low voltage driver, 1%-100% dimming. DLV for use with Eaton's DLVP system only. Refer to DLVP low-voltage power module and DLVP specifications for details.	<p>REM7V = 7 watt emergency module with remote test / indicator light, use with DLV only</p> <p>REM14V = 14 watt emergency module with remote test / indicator light, use with DLV only</p>

Accessories

HB128APK=L channel hanger bar, 26", pair (replacement)

RMB22=Adjustable wood joist mounting bars, pair, extend to 22" long

H347=347 to 120V step down transformer, 75VA

H347200=347 to 120V step down transformer, 200VA

PORLWTPD1=LumaWatt Pro wireless sensor kit, field installed, D010 only

TWSWPD1=WaveLinX wireless sensor kit, field installed, D010 only

LED Module	Lumens	CRI/CCT
SM4 = 4" LED module	<p>12=Field selectable 1000, 1500 and 2000 lumens (nominal), preset for 2000 lumens, use with PRS4FS12*, PRS410*, PRS415*, PRS420* housings</p> <p>34=Field selectable 3000 and 4000 lumens (nominal), preset for 4000 lumens, use with PRS4FS34*, PRS430*, PRS440* housings</p>	8FS =80 CRI (minimum), field selectable 3000, 3500 and 4000 CCT, preset for 3500K

Reflector - Deep	Distribution ²	Finish	Flange	Accessories
41S = 4" square reflector, non-conductive polymer, use with SM4 modules only.	<p>ND = narrow, TIR lens included (58° beam angle, 0.8 SC)</p> <p>MD = medium, TIR lens included (63° beam angle, 1.0 SC)</p> <p>WD = wide, TIR lens included (70° beam angle, 1.25 SC)</p> <p>WW = linear spread lens wall wash, insert included</p>	<p><u>Vacuum Metallized</u></p> <p>C = Specular clear</p> <p>H = Semi-specular clear (haze)</p> <p><u>Painted</u></p> <p>MB = Matte black</p> <p>MW = Matte white</p>	<p>Blank = Vacuum Metallized flange standard on C, H reflectors</p> <p>Blank = White flange on MW reflectors</p> <p>Blank = Black flange on MB reflectors</p> <p>WF = White flange option available with C, H, MB reflectors</p>	<p>TIR4SND = narrow distribution TIR lens for 4" reflectors¹</p> <p>TIR4SMD = medium distribution TIR lens for 4" reflectors¹</p> <p>TIR4SWD = wide distribution TIR lens for 4" reflectors¹</p> <p>S4DWW = wall wash replacement insert for 4" wall wash reflector</p>

Reflector - Shallow	Distribution ²	Finish	Flange	Accessories
44S = 4" square shallow reflector, non-conductive polymer, use with SM4 modules only.	<p>ND = narrow with TIR lens included (61° beam angle, 0.88 SC)</p> <p>MD = medium with TIR lens included (74° beam angle, 1.04 SC)</p> <p>WD = wide with TIR lens included (98° beam angle, 1.30 SC)</p>	<p><u>Vacuum Metallized</u></p> <p>C = Specular clear</p> <p>H = Semi-specular clear (haze)</p> <p><u>Painted</u></p> <p>MB = Matte black</p> <p>MW = Matte white</p>	<p>Blank = Vacuum Metallized flange standard on C, H reflectors</p> <p>Blank = White flange on MW reflectors</p> <p>Blank = Black flange on MB reflectors</p> <p>WF = White flange option available with C, H, MB reflectors</p>	<p>TIR4SND = narrow distribution TIR lens for 4" reflectors¹</p> <p>TIR4SMD = medium distribution TIR lens for 4" reflectors¹</p> <p>TIR4SWD = wide distribution TIR lens for 4" reflectors¹</p>

Notes:

1. TIR lenses for replacement - field interchangeable

2. Values are nominal for white reflectors, others may vary.

PHOTOMETRY - DEEP REFLECTORS 41S SERIES
NARROW DISTRIBUTION - SPECULAR CLEAR FINISH, 2000 LUMEN MODEL, 80 CRI, 3500K

NARROW (58° BEAM*)		CANDLEPOWER DISTRIBUTION		CONE OF LIGHT				CANDELA TABLE		ZONAL LUMEN SUMMARY			LUMINANCE	
Test Number	P241955							Degrees Vertical	Canдела	Zone	Lumens	% Fixture	Average Candela Degrees	Average 0° Luminance
Housing	PRS4FS12D010							0	2306	0-30	1273	70	45	15296
Module	SM4128FS							5	2244	0-40	1654	91	55	280
Reflector	41SNDC							15	1824	0-60	1818	100	65	0
Lumens	1818 Lm							25	1227	0-90	1818	100	75	0
Efficacy	90.9 Lm/W	35	576	90-180	0	0	85	0						
SC	0.8	45	141	90-180	1818	100								
UGR	13.2	55	2											
		65	0											
		75	0											
		85	0											
		90	0											
		MH	FC	L	W									
		5.5'	76.2	4.2	4.2									
		7'	47.1	5.4	5.4									
		8'	36	6.2	6.2									
		9'	28.5	7	7									
		10'	23.1	7.8	7.8									
		12'	16	9.4	9.4									

MEDIUM DISTRIBUTION - SPECULAR CLEAR FINISH, 2000 LUMEN MODEL, 80 CRI, 3500K

MEDIUM (63° BEAM*)		CANDLEPOWER DISTRIBUTION		CONE OF LIGHT				CANDELA TABLE		ZONAL LUMEN SUMMARY			LUMINANCE	
Test Number	P241970							Degrees Vertical	Canдела	Zone	Lumens	% Fixture	Average Candela Degrees	Average 0° Luminance
Housing	PRS4FS12D010							0	2535	0-30	1445	71.8	45	14830
Module	SM4128FS							5	2483	0-40	1857	92.2	55	574
Reflector	41SMDC							15	2066	0-60	2012	99.9	65	0
Lumens	2013 Lm							25	1417	0-90	2013	100	75	0
Efficacy	100.7 Lm/W	35	559	90-180	0	0	85	0						
SC	0.82	45	137	90-180	2013	100								
UGR	13.0	55	4											
		65	0											
		75	0											
		85	0											
		90	0											
		MH	FC	L	W									
		5.5'	83.8	4.4	4.4									
		7'	51.7	5.6	5.6									
		8'	39.6	6.4	6.4									
		9'	31.3	7.2	7.2									
		10'	25.3	8	8									
		12'	17.6	9.6	9.8									

WIDE DISTRIBUTION - SPECULAR CLEAR FINISH, 2000 LUMEN MODEL, 80 CRI, 3500K

WIDE (70° BEAM*)		CANDLEPOWER DISTRIBUTION		CONE OF LIGHT				CANDELA TABLE		ZONAL LUMEN SUMMARY			LUMINANCE	
Test Number	P252935							Degrees Vertical	Canдела	Zone	Lumens	% Fixture	Average Candela Degrees	Average 0° Luminance
Housing	PRS4FS12D010							0	1189	0-30	936	48.9	45	32594
Module	SM4128FS							5	1186	0-40	1375	71.9	55	19337
Reflector	41SWDC							15	1168	0-60	1785	93.3	65	13946
Lumens	1913 Lm							25	1060	0-90	1913	100	75	10706
Efficacy	95.7 Lm/W	35	586	90-180	0	0	85	7992						
SC	1.11	45	301	90-180	1913	100								
UGR	19.5	55	145											
		65	77											
		75	36											
		85	9											
		90	0											
		MH	FC	L	W									
		5.5'	39.3	6	6									
		7'	24.3	7.8	7.6									
		8'	18.6	8.8	8.8									
		9'	14.7	10	10									
		10'	11.9	11	11									
		12'	8.3	13.2	13.2									

*Values are nominal for specular clear reflectors, others may vary.
SC = Spacing Criteria
UGR = Unified Glare Rating

Photometric Multipliers (nominal lumen values)

1000 Lumen	1500 Lumen	2000 Lumen	3000 Lumen	4000 Lumen
0.47	0.62	1.00	1.27	1.83

Multipliers for relative lumen values with other series models.

CCT Multipliers - 80CRI

3000K	3500K	4000K
0.90	1.00	0.95

Multipliers for relative lumen values with other series color temperatures.

Color Finish Multipliers

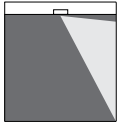
Finish code	C	H	MB	MW
Finish	Specular Clear	Semi-Specular	Matte Black	Matte White
Narrow Multiplier	1.00	0.96	0.74	0.99
Medium Multiplier	1.00	0.95	0.71	0.97
Wide Multiplier	1.00	0.93	0.63	0.96

Multipliers for relative lumen values with other cone color finishes.

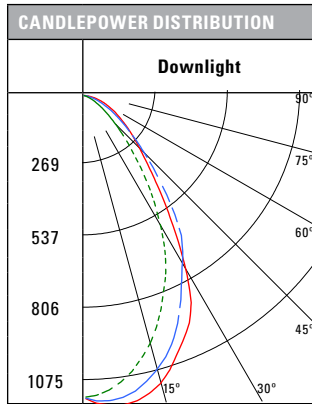
PHOTOMETRY - DEEP REFLECTORS 41S SERIES

WALL WASH DISTRIBUTION - SPECULAR CLEAR FINISH, 2000 LUMEN MODEL, 80 CRI, 3500K

WALL WASH	
Test Number	P242000
Housing	PRS4FS12D010
Module	SM4128FS
Reflector	41SWWC
Lumens	1287 Lm
Efficacy	64.4 Lm/W
SC	0.94



SC = Spacing Criteria, nominal for specular clear reflector, others may vary.



CANDELA TABLE	
Degrees Vertical	Candela
0	1040
5	1070
15	1028
25	865
35	529
45	291
55	178
65	105
75	51
85	9
90	0

ZONAL LUMEN SUMMARY		
Zone	Lumens	% Fixture
0-30	658	51.1
0-40	937	72.8
0-60	1222	94.9
0-90	1287	100
90-180	0	0
0-180	1287	100

LUMINANCE	
Average Candela Degrees	Average 0° Luminance
45	31511
55	23714
65	18999
75	15201
85	7553

SINGLE UNIT FOOTCANDLES							
2.5' from wall (distance from fixture along wall)							
1	11.1	7.9	3	1	0.3	0.1	0
2	16.2	13.3	6.7	2.6	1	0.4	0.2
3	16.5	14	8.6	3.9	1.7	0.7	0.3
4	15.2	13.2	9	4.7	2.2	1.1	0.5
5	11.8	10.6	7.8	4.8	2.6	1.3	0.7
6	8.2	7.5	5.9	4.1	2.5	1.4	0.8
7	5.8	5.4	4.5	3.3	2.3	1.4	0.9
8	4.2	4	3.4	2.7	2	1.3	0.9
9	3.1	3	2.6	2.2	1.7	1.2	0.8
10	2.4	2.3	2.1	1.7	1.4	1.1	0.8

MULTIPLE UNIT FOOTCANDLES						
2.5' from wall (distance from fixture along wall)			2.5' from wall (distance from fixture along wall)			
1	12	10.3	12	11.4	6	11.4
2	18.9	19.9	18.9	17.2	13.5	17.2
3	20.4	23	20.4	18.2	17.1	18.2
4	19.9	22.3	19.9	17.4	18	17.4
5	16.6	18.6	16.6	14.4	15.5	14.4
6	12.4	13.5	12.4	10.7	11.7	10.7
7	9.1	10	9.1	8.1	8.9	8.1
8	6.9	7.5	6.9	6.2	6.8	6.2
9	5.3	5.7	5.3	4.8	5.3	4.8
10	4.1	4.4	4.1	3.8	4.1	3.8

Photometric Multipliers (nominal lumen values)

1000 Lumen	1500 Lumen	2000 Lumen	3000 Lumen	4000 Lumen
0.47	0.62	1.00	1.27	1.83

Multipliers for relative lumen values with other series models.

CCT Multipliers - 80CRI

3000K	3500K	4000K
0.90	1.00	0.95

Multipliers for relative lumen values with other series color temperatures.

Color Finish Multipliers

Finish code	C	H	MB	MW
Finish	Specular Clear	Semi-Specular	Matte Black	Matte White
Wall Wash Multiplier	1.00	0.96	0.76	0.99

Multipliers for relative lumen values with other cone color finishes.

PHOTOMETRY - SHALLOW REFLECTORS 44S SERIES
NARROW DISTRIBUTION - SPECULAR CLEAR FINISH, 2000 LUMEN MODEL, 80 CRI, 3500K

NARROW (61° BEAM*)		CANDLEPOWER DISTRIBUTION		CONE OF LIGHT				CANDELA TABLE		ZONAL LUMEN SUMMARY			LUMINANCE	
Test Number	P241775							Degrees Vertical	Candela	Zone	Lumens	% Fixture	Average Candela Degrees	Average 0° Luminance
Housing	PRS41FS12D010							0	1559	0-30	982	51.1	45	38710
Module	SM4128FS			5	1538	0-40	1381	71.9						
Reflector	44SNDC			15	1343	0-60	1836	95.5						
Lumens	1921 Lm			25	1000	0-90	1921	100	65	12407				
Efficacy	96.1 Lm/W			35	628	90-180	0	0	75	0				
SC	0.9	45	358	85	0	0-180	85	0						
UGR	20.3	55	180	90	0									
		MH	FC	L	W									
		5.5'	51.5	4.8	4.8									
		7'	31.8	6.2	6.2									
		8'	24.4	7.2	7									
		9'	19.2	8	8									
		10'	15.6	9	8.8									
		12'	10.8	10.8	10.6									

MEDIUM DISTRIBUTION - SPECULAR CLEAR FINISH, 2000 LUMEN MODEL, 80 CRI, 3500K

MEDIUM (74° BEAM*)		CANDLEPOWER DISTRIBUTION		CONE OF LIGHT				CANDELA TABLE		ZONAL LUMEN SUMMARY			LUMINANCE	
Test Number	P241790							Degrees Vertical	Candela	Zone	Lumens	% Fixture	Average Candela Degrees	Average 0° Luminance
Housing	PRS41FS12D010							0	1416	0-30	1011	46.6	45	50314
Module	SM4128FS			5	1412	0-40	1508	69.5						
Reflector	44SMDC			15	1319	0-60	2088	96.3						
Lumens	2170 Lm			25	1073	0-90	2170	100	65	10867				
Efficacy	108.5 Lm/W			35	775	90-180	0	0	75	0				
SC	1.03	45	465	85	0	0-180	85	0						
UGR	20.9	55	184	90	0									
		MH	FC	L	W									
		5.5'	46.8	5.6	5.6									
		7'	28.9	7.2	7.2									
		8'	22.1	8.2	8.2									
		9'	17.5	9.2	9.2									
		10'	14.2	10.2	10.2									
		12'	9.8	12.2	12.4									

WIDE DISTRIBUTION - SPECULAR CLEAR FINISH, 2000 LUMEN MODEL, 80 CRI, 3500K

WIDE (98° BEAM*)		CANDLEPOWER DISTRIBUTION		CONE OF LIGHT				CANDELA TABLE		ZONAL LUMEN SUMMARY			LUMINANCE	
Test Number	P252875							Degrees Vertical	Candela	Zone	Lumens	% Fixture	Average Candela Degrees	Average 0° Luminance
Housing	PRS41FS12D010							0	888	0-30	718	34.5	45	58552
Module	SM4128FS			5	886	0-40	1180	56.8						
Reflector	44SWDC			15	875	0-60	1923	92.5						
Lumens	2080 Lm			25	832	0-90	2080	100	65	18329				
Efficacy	104 Lm/W			35	718	90-180	0	0	75	5501				
SC	1.29	45	541	85	4	0-180	85	3601						
UGR	22.7	55	266	90	0									
		MH	FC	L	W									
		5.5'	29.3	7	7									
		7'	18.1	9	9									
		8'	13.9	10.2	10.2									
		9'	11	11.6	11.6									
		10'	8.9	12.8	12.8									
		12'	6.2	15.4	15.4									

*Values are nominal for specular clear reflectors, others may vary.

SC = Spacing Criteria

UGR = Unified Glare Rating

Photometric Multipliers (nominal lumen values)

1000 Lumen	1500 Lumen	2000 Lumen	3000 Lumen	4000 Lumen
0.47	0.62	1.00	1.27	1.83

Multipliers for relative lumen values with other series models.

CCT Multipliers - 80CRI

3000K	3500K	4000K
0.90	1.00	0.95

Multipliers for relative lumen values with other series color temperatures.

Color Finish Multipliers

Finish code	C	H	MB	MW
Finish	Specular Clear	Semi-Specular	Matte Black	Matte White
Narrow Multiplier	1.00	1.00	0.90	1.04
Medium Multiplier	1.00	0.99	0.91	1.03
Wide Multiplier	1.00	0.99	0.90	1.04

Multipliers for relative lumen values with other cone color finishes.