

DESCRIPTION

Dome lens shower trim for 4" H99 incandescent family and the H470 and H471 CFL family of recessed housings. The 952 features a Frost dome lens, a non-conductive and non-corrosive trim ring, and an upper specular clear reflector optic. Polymer trim and glass lens are non-electrically conductive for "dead-front" code compliance where required. The 952 is wet location listed for use in protected ceiling, shower application. Three pressure springs secure trim in housing.

Catalog #		Type
Project		
Comments		Date
Prepared by		

SPECIFICATION FEATURES

952 is designed for use with the following small aperture housings.

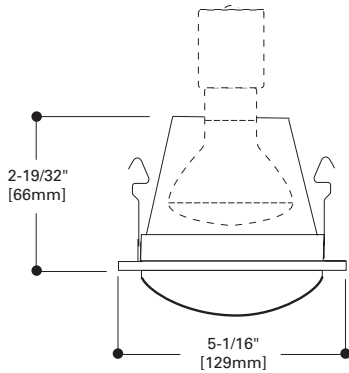
- Incandescent Housings
 - H99TAT - 40W A19, 50W PAR20, 50W R20
 - H99RTAT - 40W A19, 50W PAR20, 50W R20
 - H99ICAT - 35W PAR20, 30W R20 (50W PAR20 with H1999 socket extender)
- Compact Fluorescent Housing
 - H470ICAT - 13W Triple Twin Tube, 4-pin CFL
 - H470RICAT - 13W Triple Twin Tube, 4-pin CFL
 - H471ICAT - 18W Triple Twin Tube, 4-pin CFL
 - H471RICAT - 18W Triple Twin Tube, 4-pin CFL



Showerlight

952PS

White Trim Ring,
Dome Lens Shower Light



Trim



952PS= Dome Lens Shower Light, White Trim Ring

Accessory
H1999
Socket Extender



952
Frosted Dome
Lens Shower
Light

4" TRIMS

Note: Specifications and Dimensions subject to change without notice.

Visit our web site at www.cooperlighting.com

Customer First Center 1121 Highway 74 South Peachtree City, GA 30269 770.486.4800 FAX 770 486.4801
Cooper Lighting 5925 McLaughlin Rd. Mississauga, Ontario, Canada L5R 1B8 905.507.4000 FAX 905.568.7049

ADV110519
rev 5/25/2011