

Project		Catalog #		Type	
Prepared by		Notes		Date	



HALO

HLA3

3-Inch LED Directional with Remote Driver / Junction Box Round or Square Flange

Typical Applications

Office • Education • Healthcare • Hospitality • Retail • Code-Compliance Areas • Residential

Product Certification



Refer to ENERGY STAR® Certified Products List.
Can be used to comply with California Title 24 Part 11, 2019 Edition LSC, Section 110105 and 110106.
Certified to California Appliance Efficiency Database under JAB.

Product Features



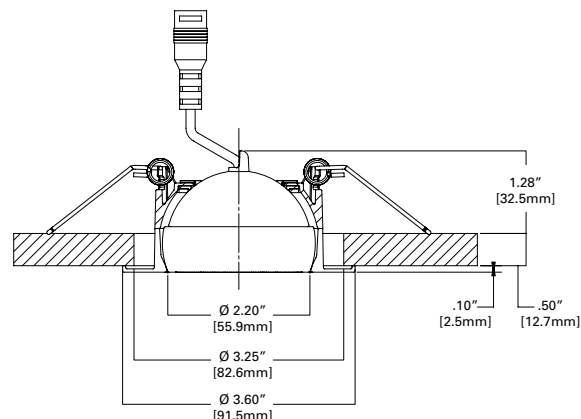
Interactive Menu

- Order Information page 2
- Product Specifications page 2
- Photometric Data page 3
- Energy & Performance Data page 3
- Product Warranty
- Dimming Guide

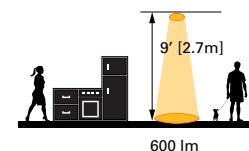
Top Product Features

- Direct mount - does not require recessed housing or junction box
- Round or square flange, 40° (FL) beam distribution
- Delivers up to 700 lumens
- Achieves L70 at 50,000 hours in IC and non-IC applications
- 2700K and 3000K fixed CCT

Dimensional and Mounting Details



Scale



additional product diagrams

Order Information

Icon Key: ▲ Configurable Product

SAMPLE ORDER NUMBER: **HLA305FL9271EMWR**

Models	Lumens	Distribution	CRI / CCT	Driver	Finish	Packaging
HLA3 = 3-Inch round LED directional downlight with remote driver / junction box HLA3S = 3-Inch square LED directional downlight with remote driver / junction box	05 = 500 lumens (nominal)	FL = 40° flood distribution	927 = 90 CRI minimum, 2700K CCT 930 = 90 CRI minimum, 3000K CCT	1E = 120V 60Hz, LE & TE phase cut 5% dimming	MW = matte white flange	R = recyclable 4-color unit carton suitable for point of purchase merchandising display
Notes	Notes	Notes	Notes	Notes	Notes	Notes

Accessories

Accessories	
Oversized Trim Ring HLB3ROTMMW = 3" round oversized trim ring, matte white HLB3SOTMMW = 3" square oversized trim ring, matte white Designer Trims HLB3RTRMMW = 3" round decorative overlay, matte white HLB3RTRMSN = 3" round decorative overlay, satin nickel HLB3RTRMTBZ = 3" round decorative overlay, tuscan bronze HLA3STRMMW = 3" square decorative overlay, matte white HLA3STRMSN = 3" square decorative overlay, satin nickel HLA3STRMTBZ = 3" square decorative overlay, tuscan bronze	Extension Cable Dedicated Driver/Jbox HLB06EC = 6 ft. extension cable HLB12EC = 12 ft. extension cable HLB20EC = 20 ft. extension cable
Notes	

Product Specifications

Housing

- Die cast aluminum mounting frame with round or square flange
- Gimbal rotates 360° and tilts ± 30° holding any aiming angle
- Aluminum heat sink provides passive thermal cooling achieving L70 at 50,000 hours in IC and non-IC applications

Gasket

- Closed cell gasket achieves restrictive airflow and wet location listing without additional gaskets or caulking

Optional Mounting Frame

- Pre-galvanized steel mounting frame locates fixture fittings during electrical rough in and provides cutout guidance for drywall contractor
- Provides tool-less attachment of remote driver / junction box

Optics

- Flood - FL
- Optical design creates a clean, uniform 40-degree beam distribution

LED Array

- Plurality of mid power LED's provides a uniform source with high efficiency and long life
- Available in 90 CRI minimum, R9 greater than 50 provides high color rendering
- Dedicated color temperature, select 2700K or 3000K CCT, color accuracy within 4 SDCM
- Meets ENERGY STAR® color angular uniformity requirements, deviation is less than 0.006 u' v'

Remote Driver / Junction Box

- Pre-galvanized steel driver / junction box with captive hinged junction box cover
- Listed for (6) #12 AWG 90° C splice conductors, 2-in, 2-out plus (2) ground
- (2) ½" conduit pry-outs
- (2) Slide-N-Side™ non-metallic (NM) wire traps allows wiring outside the box
- Accepts 14-2, 14-3, 12-2, 12-3 U.S. and 14-2, 14-3, 12-2 Canadian NM cable
- (3) 4-port push wire nuts with clear caps for quick and reliable mains voltage connections
- Integral mounting slots facilitate direct mounting to building structure or mounting frame

Driver

- 120V 60 Hz constant current driver provides noise free operation
- Continuous, flicker-free dimming from 100% to 5% with select leading or trailing edge 120V phase cut dimmers
- Plenum rated inline electrical quick connect provides low voltage connection to fixture fitting

Installation

- Can be installed in 1/2" to 1-1/4" thick ceilings in as little as 3-1/2" plenum height
- Cutout utilizes standard round hole saw sizes, cutout template provided
- Heat treated springs hold fixture fitting securely in the ceiling eliminating light leaks
- Can be removed from below the ceiling for service or replacement

Compliance

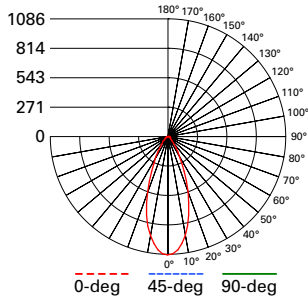
- cULus certified type IC suitable for direct contact with air permeable insulation
- Not recommended for use in direct contact with spray foam insulation, reference NEMA LSD57-2013
- Wet location listed and IP44 ingress protection
- Airtight per ASTM-E283-04
- Suitable for use in clothes closets when installed in accordance with the NEC 410.16 spacing requirements
- EMI/RFI emissions per FCC 47CFR Part 15 consumer limits
- Contains no mercury or lead and RoHS compliant
- Photometric testing in accordance with IES LM-79-08
- Lumen maintenance projections in accordance with IES LM-80-08 and TM-21-11
- Can be used for State of California Title 24 high efficacy LED compliance under JA8, reference Modernized Appliance Efficiency Database System (MAEDBS) for 2016 JA8 High Efficacy Lighting
- ENERGY STAR® certified, reference "Certified Light Fixtures" database

Warranty

- Five year warranty standard.

Photometric Data

[View IES files](#)



HLA305FL9301EMW

Spacing criterion: (0-180) 0.66
(90-270) 0.66
(Diagonal) 0.66

Beam Angle: 40°

Field Angle: 74°

Lumens: 631

Input Watts: 8.6 W

Efficacy: 73.37 LPW

Test Report:

HLA305FL9301EMW.ies

Zonal Lumen	Lumens	% Lumens
0-30	463.2	73.4
0-40	547.7	86.8
0-60	608.9	96.5
0-90	631.0	100



COLOR METRIC SUMMARY - 2700K

TM-30-15	Rf = 91
	Rg = 98
CRI/CIE	Ra = 92.7
	R9 = 58.5

COLOR METRIC SUMMARY - 3000K

TM-30-15	Rf = 91
	Rg = 101
CRI/CIE	Ra = 91.7
	R9 = 62

Energy and Performance Data

	LUMENS	POWER (W)	LPW
HLA305FL9271EMW	606.8	8.6	70.6
HLA305FL9301EMW	631.7	8.6	73.5

HLA305FL9271EMWR

PRODUCT SPECIFICATIONS	
Lumens	593
Watts	8.8
Lumens Per Watt (Efficacy)	67.6
Color Accuracy (CRI)	94
Light Color (CCT) Correlated Color Temperature (CCT)	2700K
warm white	soft white
2700K	3000K
4500K	6500K

HLA305FL9301EMWR

PRODUCT SPECIFICATIONS	
Lumens	611
Watts	8.9
Lumens Per Watt (Efficacy)	68.6
Color Accuracy (CRI)	92
Light Color (CCT) Correlated Color Temperature (CCT)	3000K
warm white	soft white
2700K	3000K
4500K	6500K

HLA3S05FL9271EMWR

PRODUCT SPECIFICATIONS	
Lumens	593
Watts	8.8
Lumens Per Watt (Efficacy)	67.6
Color Accuracy (CRI)	94
Light Color (CCT) Correlated Color Temperature (CCT)	2700K
warm white	soft white
2700K	3000K
4500K	6500K

HLA3S05FL9301EMWR

PRODUCT SPECIFICATIONS	
Lumens	611
Watts	8.9
Lumens Per Watt (Efficacy)	68.6
Color Accuracy (CRI)	92
Light Color (CCT) Correlated Color Temperature (CCT)	3000K
warm white	soft white
2700K	3000K
4500K	6500K

Note: Refer to IES files for more product data.

Dimensional Details

