

## DESCRIPTION

H36RTAT is a Non-IC AIR-TITE™ remodel fixture for use with H3 3" series trims. For installation from below the ceiling. Housing is AIR-TITE rated to prevent airflow between heated or air conditioned spaces and unconditioned attic areas. For use with 120V GU10 lamps.

Non-IC Housing is AIR-TITE™ but insulation must be kept 3" away from all sides of housing.

<b>Catalog #</b>		<b>Type</b>
<b>Project</b>		
<b>Comments</b>		<b>Date</b>
<b>Prepared by</b>		

## SPECIFICATION FEATURES

### Housing

Formed of 20 gauge CRS with white powder coat finish.

### Remodel Plaster Frame

"Easy clip" provided to secure plaster frame in ceiling while installation is being completed. Adjustable cam-locks provide positive lock of housing to plaster frame to complete housing installation.

### Junction Box

- UL Listed for through branch circuit wiring (maximum 8 No.12 ga., 90°C conductors).
- Four 1/2" trade size conduit knockouts with true pry-out slots.

- Three Slide-N-Side™ wire traps allow non-metallic sheathed cable to be installed without tools and without removing knockouts. Accepts a wide range of non-metallic sheathed cable.
- Allows wiring connections to be made outside the junction box.
- Simply insert the cable directly into the trap after connections are made.
- Three push-in wire connectors are included and eliminate the need for separate wire nuts.
- Accommodates the following standard non-metallic sheathed cable sizes: (US) #14/2, #14/3, #12/2, #12/3

(Canada) #14/2, #14/3, #12/2

- No-accessible ceiling installation requires nonmetallic "NM" sheathed cable connection.

### Socket

GU10 socket for 120V GU10 lamps.

### Labels

- UL/cUL Listed 1598 Luminaire
- UL/cUL Damp Location Listed
- UL/cUL Listed for Feed Through
- Certified Under ASTM-E283 for air tight construction



## H36RTAT

**3" Non-Insulated Ceiling  
AIR-TITE™ Recessed Housing  
120V GU10**

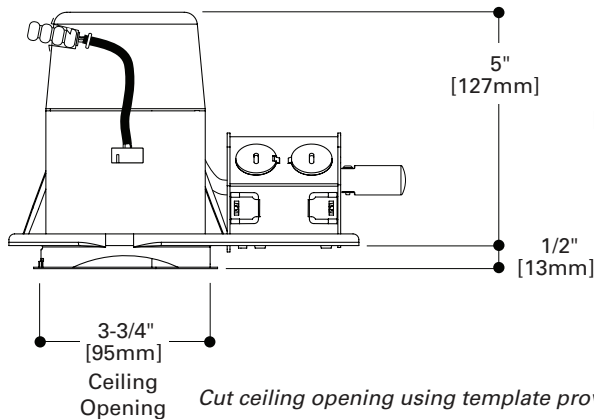
3" TRIMS

FOR USE IN NON-INSULATED CEILINGS

CAN BE USED IN INSULATED CEILINGS BUT INSULATION MUST BE KEPT 3" FROM ALL SIDES OF THE HOUSING



120V GU10



Cut ceiling opening using template provided with fixture.

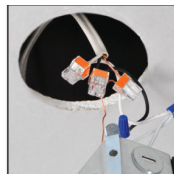
## REMODEL HOUSING INSTALLATION



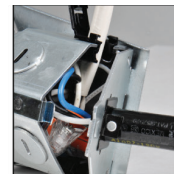
Cut hole in ceiling using template supplied.



Bring power to fixture using non metallic sheathed cable or flexible metal cable.



The Halo Slide-N-Side™ wire traps let you make all wiring connections outside the junction box.



Slide cable into Slide-N-Side™ wire trap and close junction box cover.



Insert plaster frame into ceiling opening.



Support clip keeps plaster frame in place during rest of installation.



Insert housing into position and align slots in housing wall with indicator label on inside of plaster frame opening. Then secure in position with cam locks.



Insert trim to complete installation.

**ORDERING INFORMATION**

**SAMPLE NUMBER: H36RTAT-3001WHBB**

Order housing and trims separately.

**Housing**

**Trims**

**H36RTAT**

H36RTAT= 3" AIR-TITE™ Non-IC  
Small Aperture Line  
Voltage GU10  
Remodel Housing



**3001 Adjustable Pinhole Baffle - 15° Tilt**  
**50W 120V GU10**  
3001WHBB=White with Black Baffle  
3001BKBB=Black with Black Baffle  
3001SNBB=Satin Nickel with Black Baffle  
3001TBZBB=Tuscan Bronze with Black Baffle  
OD: 4-1/4" [108mm]



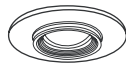
**3009 Adjustable Gimbal- 35° Tilt**  
**50W 120V GU10**  
3009WHBB=White with Black Baffle  
3009WHWB=White with White Baffle  
3009BKBB=Black with Black Baffle  
3009SNBB=Satin Nickel with Black Baffle  
3009TBZBB=Tuscan Bronze with Black Baffle  
OD: 4-1/4" [108mm]



**3020 Wall Wash**  
**50W 120V GU10**  
3020WW=White Downlight & Wall Wash  
with Integral Kick Reflector  
OD: 4-1/4" [108mm]



**3002 Adjustable Pinhole Reflector- 15° Tilt**  
**50W 120V GU10**  
3002WHC=White with Clear Reflector  
OD: 4-1/4" [108mm]



**3010 Super Adjustable- 0 - 80° Adjustment**  
**50W 120V GU10**  
3010WH=White  
3010SN=Satin Nickel  
3010TBZ=Tuscan Bronze  
OD: 4-1/4" [108mm]



**3003 Adjustable Baffle- 35° Tilt**  
**50W 120V GU10**  
3003WHBB=White with Black Baffle  
3003WHWB=White with White Baffle  
3003BKBB=Black with Black Baffle  
3003SNB=Satin Nickel with Satin Nickel Baffle  
3003TBZB=Tuscan Bronze with Tuscan Bronze Baffle  
OD: 4-1/4" [108mm]



**3011 Square Adjustable - 15° Tilt**  
**50W 120V GU10**  
3011WHBB=White with Black Baffle  
3011WHWB=White with White Baffle  
3011BKBB=Black with Black Baffle  
3011SNBB=Satin Nickel with Black Baffle  
3011TBZBB=Tuscan Bronze with Black Baffle  
OD: 4-1/4" [108mm]



**3004 Adjustable Reflector- 35° Tilt**  
**50W 120V GU10**  
3004WHC=White with Clear Reflector  
3004SN=Satin Nickel with Satin Nickel Reflector  
3004TBZ=Tuscan Bronze with Tuscan Bronze Reflector  
3004WHH=White with Haze Reflector  
3004WHW=White with White Reflector  
OD: 4-1/4" [108mm]



**3012 Square Regressed Lens Adjustable Showerlight - 15° Tilt**  
**50W 120V GU10**  
3012WHBB=White with Black Baffle  
3012WHWB=White with White Baffle  
3012BKBB=Black with Black Baffle  
3012SNBB=Satin Nickel with Black Baffle  
3012TBZBB=Tuscan Bronze with Black Baffle  
OD: 4-1/4" [108mm]



**3006 Adjustable Slot Aperture- 35° Tilt**  
**50W 120V GU10**  
3006WHBB=White with Black Baffle  
3006BKBB=Black with Black Baffle  
3006SNBB=Satin Nickel with Black Baffle  
3006TBZBB=Tuscan Bronze with Black Baffle  
OD: 4-1/4" [108mm]



**3013 Square Adjustable Gimbal - 35° Tilt**  
**50W 120V GU10**  
3013WH=White  
3013BK=Black  
3013SN=Satin Nickel  
3013TBZ=Tuscan Bronze  
OD: 4-1/4" [108mm]



**3007 Regressed Lens Showerlight- 15° Tilt - Wet Location Listed**  
**50W 120V GU10**  
3007WHC=White with Clear Reflector  
3007PCC=Polished Chrome with Clear Reflector  
3007SN=Satin Nickel with Satin Nickel Reflector  
3007TBZ=Tuscan Bronze with Tuscan Bronze Reflector  
OD: 4-1/4" [108mm]



**3017 All-Glass Frost Curve Showerlight - Wet Location Listed**  
**50W 120V GU10**  
3017FGS=All-Glass Frost Curve with Clear Glass Center - Showerlight  
OD: 4-1/4" [108mm]



**3008 Showerlight - Wet Location Listed**  
**50W 120V GU10**  
3008FG=White Polymer and Glass Lens with Frosted Perimeter  
OD: 4-1/4" [108mm]

**Accessories**

**Lamp**  
**Z28= GU10, 50W, 120V lamp**