

# Receptacle Rated Switchpack

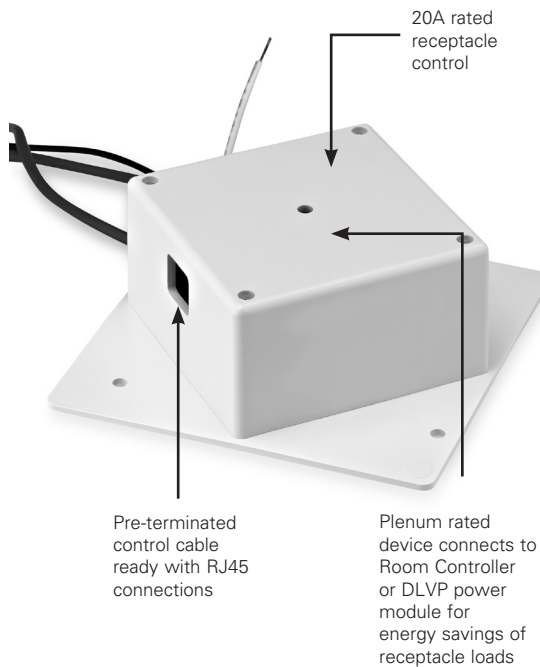
Catalog#	Prepared by
Project	Date
Comments	Type

## Overview

The Receptacle Rated Switchpack includes a 20A relay for ON/OFF control of connected outlets. The Receptacle Rated Switchpack connects to the Greengate Room Controller, DLVP power module, or any standard Greengate Occupancy Sensor. The Receptacle Rated Switchpack provides energy efficient control of receptacles.


## Features

- Pre-terminated control cable ready with RJ45 ports eliminate wiring errors
- Capable of switching up to 20 Amps
- Suitable for plenum installations
- Rated for ballast, tungsten and motor loads
- Mounts directly to junction box



Powering Business Worldwide

## Specifications

<b>Electrical Rating</b>	Input: 120 VAC, 50-60 Hz operation
	Output: 24 VDC 125 mA
	RJ45 port for connection to pre-terminated control cables Wire leads operate up to five sensors
<b>Operating Environment</b>	Temperature: 32° F to 104° F (0° C to 40° C)
	Less than 95%, non-condensing For indoor use only
<b>Housing</b>	Medium impact injection molded housing. ABS resin complies with UL 94V-0. Plenum rated for external junction box mounting, with Teflon coated leads
<b>Motor Load</b>	1.5 HP @120 VAC
<b>Size</b>	4.75" x 4.75" x 2"
<b>Standards</b>	UL 508 Listed 

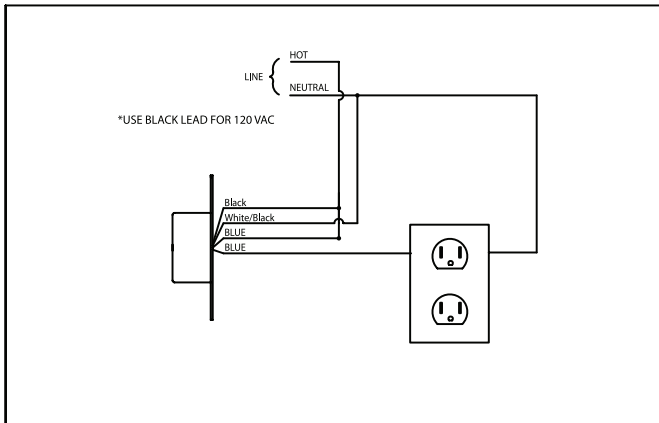
## Description/Operation

The Receptacle Rated Switchpack operates on 120 volts and is a Class 2 connection to the Room Controller, DLVP power module, or standard occupancy sensors. Upon power up, Receptacle Rated Switchpack automatically recognizes its connection to a Room Controller or DLVP power module and begins the most energy-efficient operation. The receptacle rated switchpack will control connected receptacles On and Off in response to input from the Room Controller, DLVP power module, or standard occupancy sensors.

## Installation

Low-voltage devices are connected using provided pre-terminated control cables (ordered separately).

## Wiring Diagrams

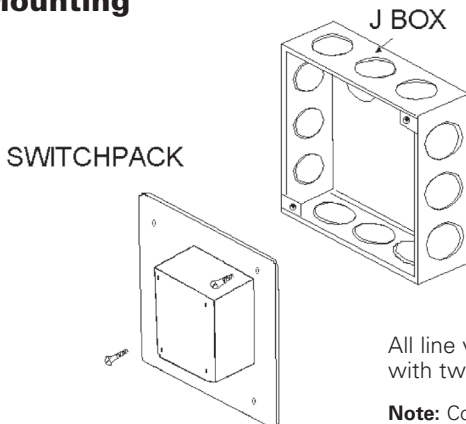


INPUT VOLTAGE:  
120 VAC, 50/60Hz

CONTACT RATINGS:  
20A 120/277 VAC STANDARD BALLAST  
16A 120/277 VAC ELECTRONIC BALLAST  
1.5 HP @ 120 VAC MOTOR

**CAUTION:** Before installing or performing any service on a Greengate system, the power **MUST** be turned off at the branch circuit breaker.

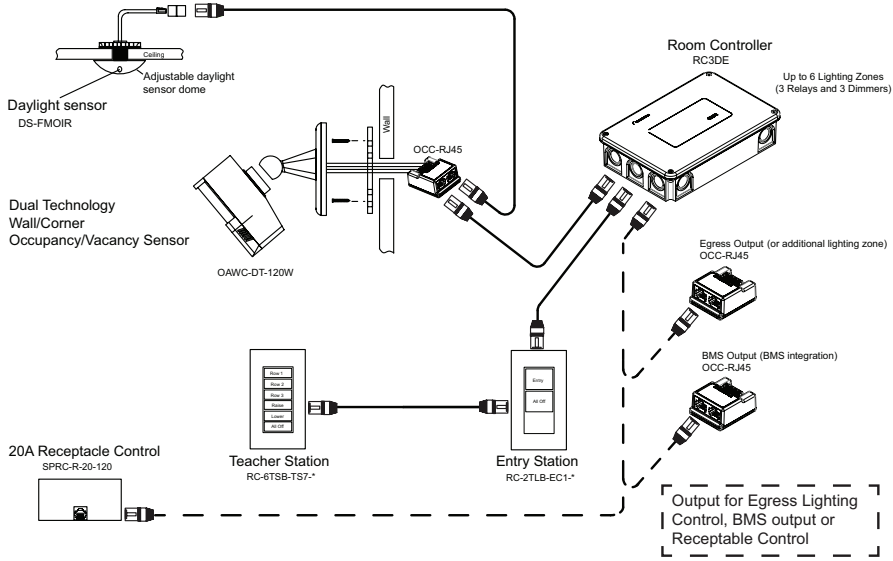
## Mounting



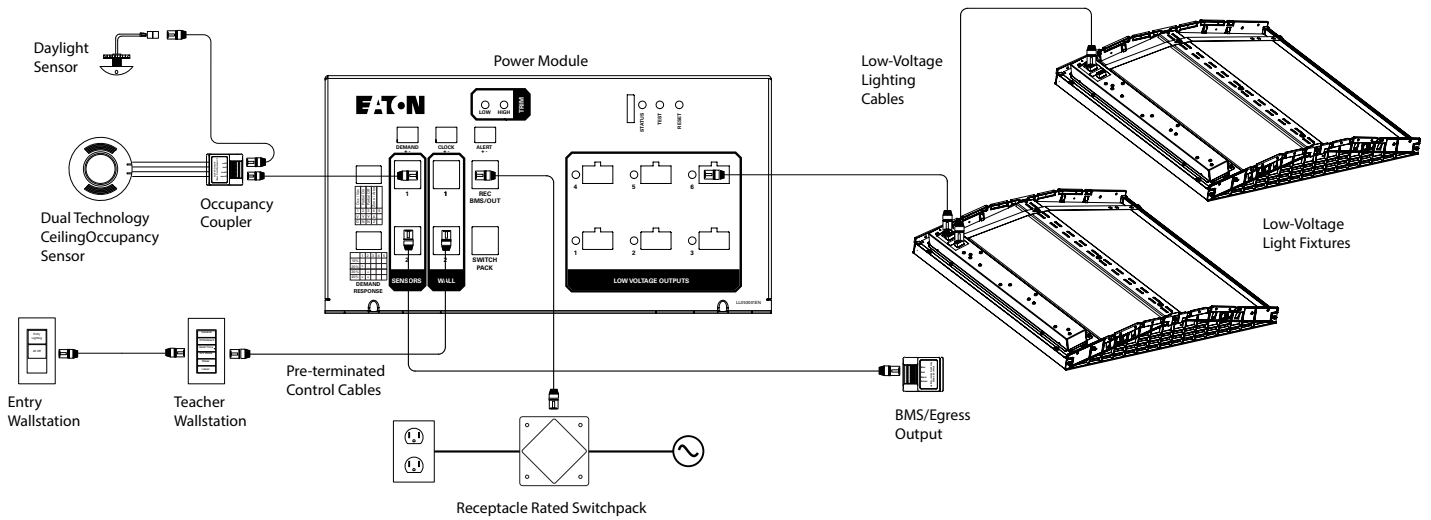
All line voltage connections are made via pigtails with twist-on wire connectors.

**Note:** Connect the black supply lead to the power source.

### Sample Room Controller System Topology



### Sample DLVP System Topology



**Ordering**

<b>Catalog #</b>	<b>Input</b>	<b>Contact Ratings</b>	<b>Control</b>
SPRC-R-20-120	120 VAC 50/60Hz	120, 277 VAC General Use: 20A Resistive: 20A Tungsten: 20A Standard Ballast: 20A Electronic Ballast: 16A Motor: 1.5HP @ 120 VAC 2.0HP @ 277 VAC	RJ45 for Room Controller and DLVP Class 2, LPS
SP-R-20-120	120 VAC 50/60Hz	120, 277 VAC General Use: 20A Resistive: 20A Tungsten: 20A Standard Ballast: 20A Electronic Ballast: 16A Motor: 1.5HP @ 120 VAC 2.0HP @ 277 VAC	Wire leads for low- voltage occupancy sensors* Class 2, LPS

**Eaton**  
1121 Highway 74 South  
Peachtree City, GA 30269  
[www.eaton.com/lightingsystems](http://www.eaton.com/lightingsystems)  
For service or technical assistance:  
1-800-553-3879

© 2016 Eaton  
All Rights Reserved  
Printed in USA  
Publication No. TD503089EN  
September 28, 2016

Specifications and dimensions subject to  
change without notice.