

Project		Catalog #		Type	
Prepared by		Notes		Date	



Greengate

CK4A - Control Keeper 4A

Network lighting control panel

Interactive Menu

- Order Information page 2
- Additional Resources page 3
- Wiring Diagrams page 4
- Product Warranty

Product Certification



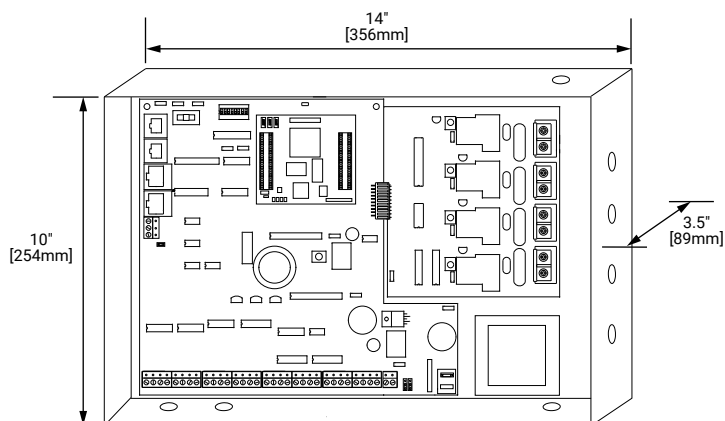
Product Features



Top Product Features

- Support for up to four 0-10V dimming ballast outputs
- Electrically held normally open as well as mechanically latched and two pole relays available
- Capable of controlling receptacle loads
- 4 single pole or 2 two pole serial relays
- Open or closed loop control algorithms
- Suitable to control LED dimming loads, see relay card information for loading capacity
- Options to meet Buy American Act requirements

Dimensional Details



 additional product diagrams

Order Information

SAMPLE ORDER NUMBER: **CK4A-SLRC-347**

This is a network-ready lighting control system. It can be combined with other ControlKeeper series panels to create a scalable, networked lighting control scheme. It can be ordered with any suitable system option or accessory.

Catalog Number

Domestic Preferences ⁽¹⁾	Product	Type of Relay Card	Transformer Voltage ⁽²⁾
[Blank] = Standard BAA = Buy American Act	CK4A = ControlKeeper 4	SSRCNO, SLRC, or STPRCNO	[BLANK] = 120/277 VAC (60 Hz) 347 = 120/347 VAC (60 Hz) 230 = 220/230 VAC (50/60 Hz) 240 = 220/240 VAC (50/60 Hz)
Notes			
<p>(1) Only product configurations with this designated prefix are built to be compliant with the Buy American Act of 1933 (BAA). Please refer to DOMESTIC PREFERENCES website for more information. Components shipped separately may be separately analyzed under domestic preference requirements.</p> <p>(2) When ordering 230V, 240V, 347V models you must use the SLRC relay option. Example: CK4A-SLRC-347, CK4A-SLRC-230, CK4A-SLRC-240</p>			

Product Specifications

Key Features

The ControlKeeper 4A network lighting control panel is a costeffective, specification grade lighting control system. Control up to 4 relays per panel with optional support for up to four 0-10V dimming ballast control outputs. Network up to 254 ControlKeeper panels for a state of the art lighting control system.

Mechanical

Size: 10"H X 14"W X 3.5"D (254 mm x 355.6 mm x 89 mm)

Environment:

- **Operating temperature:** 32°F to 122°F (0°C to 50°C)

Housing: NEMA 1 surface mount enclosure

Electrical

Transformer Ratings:

- Multi-tapped 120/277 VAC internally fused standard
- Optional 347 VAC internally fused
- Optional 220/230 VAC 50/60 Hz internally fused
- Optional 220/240 VAC 50/60 Hz internally fused

Power Use Ratings:

- Fully loaded panel 40 watts

Load Types

- 4-wire fluorescent loads, 0-10 VDC Isolated (40 µA max per circuit leakage to line)
- The CK4A supports up to 100mA per panel. Each 0-10V output supports 25mA or 12 drivers that draw the standard 2mA each

Master Override:

- ON/AUTO/OFF

Standard Relay Ratings:

- 20A, 120/277 VAC per relay
- 10A, 120/277 VAC electronic ballast (LED)
- Normally open
- Maximum wire size: 10 AWG
- Mechanical operations: 10 million

Latching Relay Ratings:

- 20A, 120/277 VAC electronic ballast (LED)
- 15A, 347 VAC (LED)
- Maximum wire size: 6 AWG
- Mechanical operations: 10 million
- Provides a system SCCR rating of 10,000A

Two Pole Relay Ratings:

- 20A, 208/240/480 VAC
- Normally open
- Maximum wire size: 6 AWG
- Mechanical operations: 10 million

Software Specifications

Programming: Optional PC Software

System Includes:

- UL listed – UL 916 standard
- NEMA 1 enclosure
- 4 relays
- Support for 4 three-wire or 8 two-wire low voltage inputs
- 4 analog inputs
- Time schedules with astronomic clock
- Prioritization and masking of switch inputs, time schedules and remotes
- Timed inputs
- Occupant warn-off and overrides
- RS-232 port standard
- RS-485 network standard
- Open/Closed loop daylighting
- Control receptacle loads with Latching Relay Card

Accessories:

- Keeper Enterprise Network Software
- Ethernet Interface Module
- BMS Pro
- CEPC-1-D (UL 924 Accessory)
- Greengate Digital Switch (GDS)
- Low Voltage Switches
- Contact Input or Analog Photocells
- Occupancy Sensor

Standards/Ratings

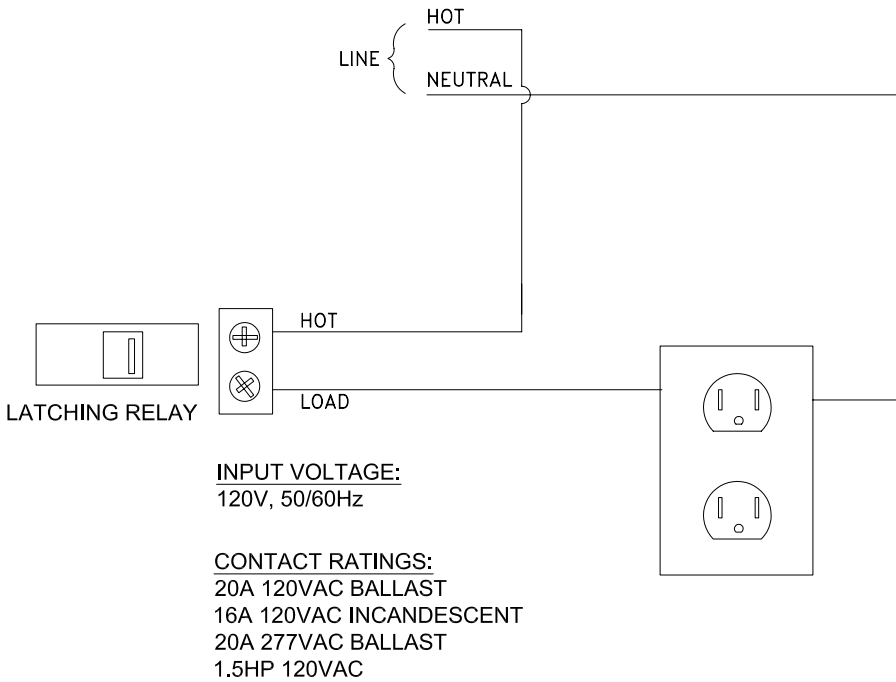
- UL Approval
- UL 916 Listed
- Plenum Rated

Warranty

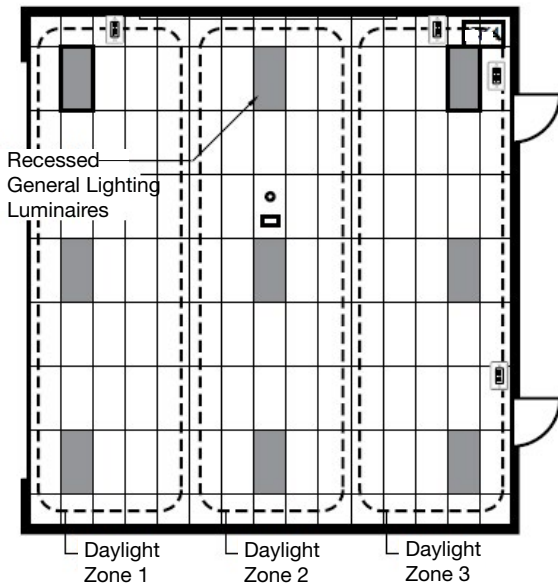
Consult website for warranty information

Wiring Diagrams

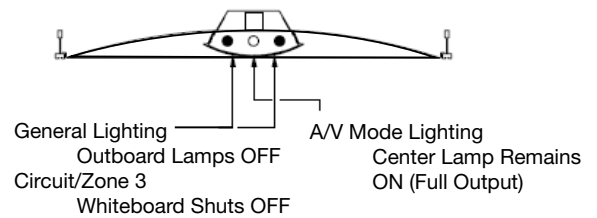
Latching Relay Receptacle Controls



Reflective Ceiling Plan



Sample Circuiting



Sample One-Line

RS-485 Network

- Connect up to 254 ControlKeeper lighting control panels and accessories
1. Daisy-chain all ControlKeeper lighting control panels using twisted pair (Belden #9841) or category 5 cable.
 2. Lighting control network up to 4000 feet total length. If greater length is needed RS-485 repeaters are available.

