

Project		Catalog #		Type	
Prepared by		Notes		Date	



Greengate

Linear Dimming Control Module

Linear Dimming Control Module Plenum Rated (LDCM-PL) takes a 0-10V dimming signal and a fixed line voltage input and converts it to an ELV dimmed output for up to 1000W with a 277V load and 450W on a 120V load.

Typical Applications

Office • Education • Healthcare • Hospitality • Retail • Industrial • Manufacturing

Interactive Menu

- Order Information page 2
- Wiring Diagrams page 3
- Product Warranty

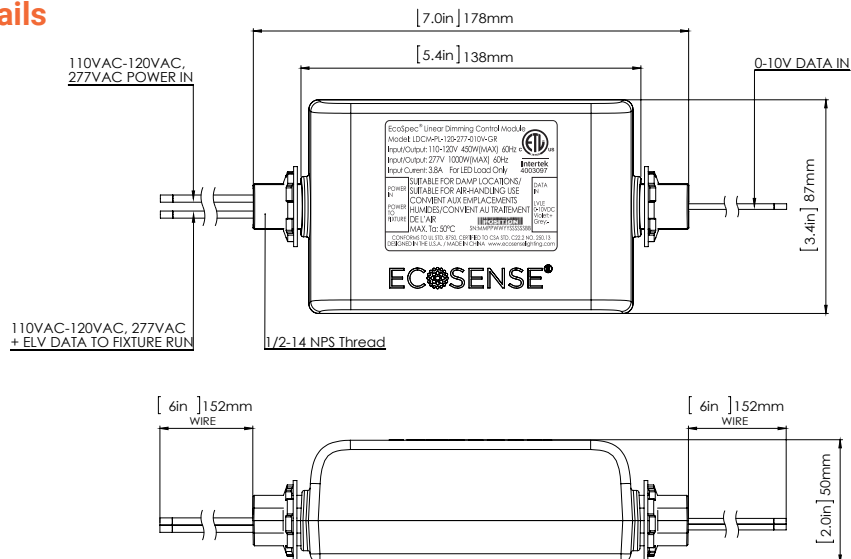
Product Certification



Top Product Features

- Dims ELV only fixtures with 0-10V
- Simple Installation
- Direct J-Box Mount
- 120V and 277V compatible
- Auto-Sensing Voltage Switch

Dimensional Details



additional product diagrams

Order Information

Catalog Number

Catalog Number	Description
LDCM-PL-120-277-010V-GR	Linear Dimming Control Module

Product Specifications

Mechanical

Size: 3.4"W x 2"H x 7"L (87 mm x 50 mm x 178 mm)

- **Housing / Lens:** Injection Molded Polycarbonate
- **Connectors:** Lead Wire 6" From Conduit
- **Weight:** 0.99 lbs (0.45 kg)
- **Environment:** ETL Damp Location

Mounting: Conduit mounting from both sides

Electrical**Power Ratings:**

- 450W Max @ 110-120 V
- 1000W Max @ 277V

Max Fixture Run Length:

- Calculate Maximum Run per LDCM unit based on the Power Consumption of the fixture used

Operating Voltage:

- 110VAC-120VAS, 277VAC - Auto-Sensing Voltage Switch

Operating Hertz:

- 60 Hz

Startup Temperature:

- -4°F to 104°F (-20°C to 40°C)

Operating Temperature:

- -4°F to 104°F (-20°C to 40°C)

Storage Temperature:

- -40°F to 176°F (-40°C to 80°C)

Control Requirements**Dimming:**

- 110-120VAC; ELV (reverse) - RP; converted from 0-10V Controller
- 277VAC; ELV (reverse) - RP; converted from 0-10V Controller

Rating & Certifications

- ETL / cETL Damp Locations

Warranty

Five year warranty standard

This product is provided by Cooper Lighting Solutions in cooperation with EcoSense Lighting Inc.

Overview

Linear Dimming Control Module Plenum Rated (LDCM-PL) takes a 0-10V dimming signal and a fixed line voltage input and converts it to an ELV dimmed output for up to 1000W with a 277V load and 450W on a 120V load. One LDCM can be used per run up to the maximum wattage. The LDCM-PL is rated to directly mount to a junction box in a plenum space for easier installations and to meet building requirements.

Dimensional and Mounting Details

