



SL-42 Ledge Light SL-43 Rail Light

SPECIFICATIONS

- FACE PLATE:** Stamped brass (-BRS), Copper (-COP), Stainless Steel (-SS) or Stamped Aluminum
LAMP: 5 watt G-4 bi-pin T-9 Xenon or 10 watt G-4 bi-pin T-9 Xenon. **This fixture is rated 10w. MAX**
LAMP LIFE: 10,000 hrs average rating
WIRING: Black 3 foot 18/2 zip cord for 12v.
CONNECTION: FA-05 Quick Connector (not supplied) from fixture to main cable (12/2, 10/2 or 8/2 only) 12v. only
FINISH: Optional finishes available



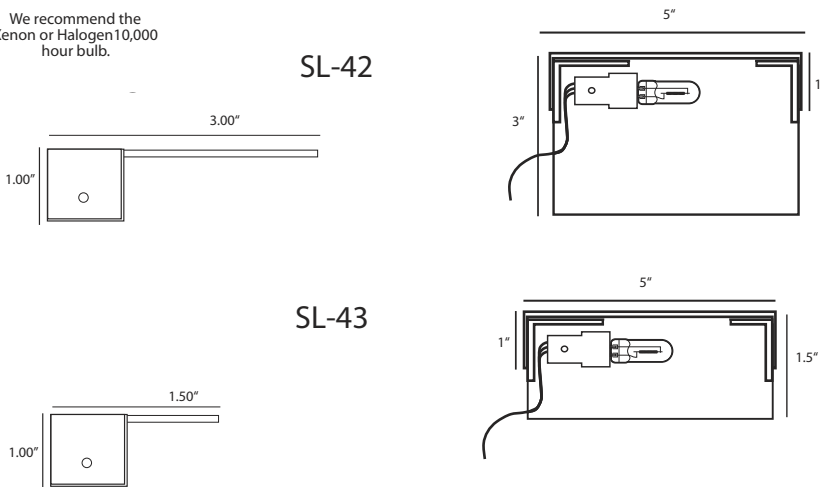
We recommend the Xenon or Halogen 10,000 hour bulb.



SL-42



SL-43

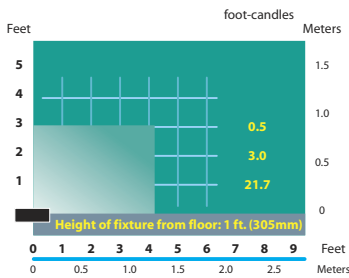


ORDERING INFORMATION

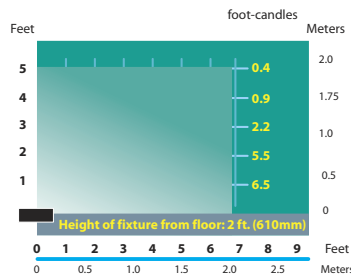
CATALOG NO.	DESCRIPTION	STANDARD FINISH	EST. SHIP. WEIGHT
SL-42	Stamped aluminum Ledge light	Black texture	3.0 lbs.
SL-42-BRS	Stamped brass Ledge light	Brass	3.0 lbs.
SL-42-COP	Copper Ledge light	Copper	3.0 lbs.
SL-42-SS	Stainless steel Ledge light	Stainless Steel	3.0 lbs.
SL-43	Stamped aluminum Rail light	Black texture	3.0 lbs
SL-43-BRS	Stamped brass Rail light	Brass	3.0 lbs
SL-43-COP	Copper Rail light	Copper	3.0 lbs
SL-43-SS	Stainless steel Rail light	Stainless Steel	3.0 lbs

Note: Above lights have aluminum electrical plate. To receive a stainless steel electrical plate replace SL with SSL when ordering. Consult factory for price.

Photometrics



SL-42 & 43 Half Spread Photometrics



SL-42 & 43 Half Spread Photometrics

JOB INFORMATION

Type: _____ Date: _____
 Job Name: _____
 Cat. No.: _____
 Lamp(s): _____
 Specifier: _____
 Contractor: _____
 Notes: _____

FOCUS INDUSTRIES INC.
 25301 COMMERCENTRE DRIVE
 LAKE FOREST, CA 92630
 www.focusindustries.com
 sales@focusindustries.com
 (949) 830-1350 • FAX (949) 830-3390

12v. fixtures: 25 foot 16/2 fixture lead wire available; add -25F to catalog number.
 For use with Focus CPC or hub supplied by others.

FSA-00

Powder Coat Finishes	Black Texture (Standard)	Antique Verde	Bronze Texture	Camel	White Texture	Hunter Texture	Rust	Weathered Iron	Weathered Brown	Stucco	Rubbed Verde	Chrome Powder	Terra Cotta
Ordering Code	-BLT	-ATV	-BRT	-CAM	-WTX	-HTX	-RST	-WIR	-WBR	-STU	-RBV	-CPR	-TRC



INSTALLATION INSTRUCTONS

For SL-42 Ledge Lights **12volt.**

This fixture is rated 10w. MAX

Inspected by

Read these instructions carefully before installing this fixture.

1. Make sure power is turned OFF before installing or servicing this fixture.
2. Insert mounting plate between layers of hardscape material.
3. Gluing in place with cap stone is optional.
4. Create a channel 1/4" wide by 1/8" deep so wire is not pinched by capstone.
5. Route wire through break in wall to low voltage power cable.
5. Connect fixture wires to supply using FA-05 quick connector (optional) or other suitable means.
6. Turn power ON

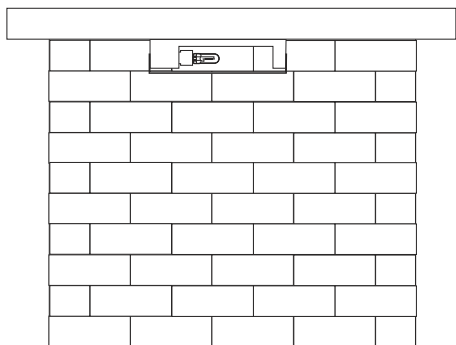
IMPORTANT SAFETY INSTRUCTIONS TO REDUCE THE RISK OF FIRE AND INJURY TO PERSONS:

- 1) Lamp gets hot quickly; turn off/unplug/ disconnect and allow to cool down before replacing the bulb.
- 2) DO NOT touch fixture when it is operation
- 3) DO NOT look into lamp when on
- 4) Keep lamp away from materials that may burn
- 5) Use only with wattage/lamp marked on fixture warning or instructions.
- 6) Use correct light bulb base w/ corresponding socket
- 7) DO NOT operate fixture with missing/ damaged cover plate.

Additional wire and connectors may be purchased directly from FOCUS INDUSTRIES.

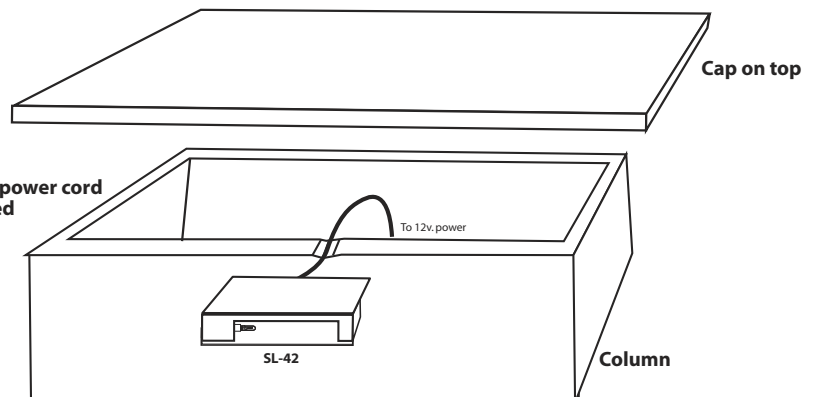
This fixture is intended for installation in accordance with the National Electrical Code (NEC) and local code specifications. Failure to adhere to these codes and instructions may result in serious injury and /or damage to the fixture and will void the warranty. These instructions do not cover all details or variations in equipment, nor provide for every possible contingency related to installation, operation, maintenance, or mounting situation. Please call for assistance in alternate circumstances

For Questions Call 1-888-882-1350



Illustrations shown without coverplate

**Notch a channel for power cord
so wire is not pinched**





INSTALLATION INSTRUCTONS

For SL-43 Rail Lights **12volt.**

This fixture is rated 10w. MAX

Inspected by

Read these instructions carefully before installing this fixture.

1. Make sure power is turned OFF before installing or servicing this fixture.
2. Mount SL-43 in desired location with supplied screws
3. Route wire to low voltage power cable.
4. Connect fixture wires to supply using FA-05 quick connector (optional) or other suitable means.
5. Turn power ON

IMPORTANT SAFETY INSTRUCTIONS TO REDUCE THE RISK OF FIRE AND INJURY TO PERSONS:

- 1) Lamp gets hot quickly; turn off/unplug/ disconnect and allow to cool down before replacing the bulb.
- 2) DO NOT touch fixture when it is operation
- 3) DO NOT look into lamp when on
- 4) Keep lamp away from flammable materials
- 5) Use only with wattage/lamp marked on fixture warning or instructions.
- 6) Use correct light bulb base w/corresponding socket
- 7) DO NOT operate fixture with missing/ damaged cover plate.

Additional wire and connectors may be purchased directly from FOCUS INDUSTRIES.

This fixture is intended for installation in accordance with the National Electrical Code (NEC) and local code specifications. Failure to adhere to these codes and instructions may result in serious injury and /or damage to the fixture and will void the warranty. These instructions do not cover all details or variations in equipment, nor provide for every possible contingency related to installation, operation, maintenance. or mounting situation. Please call for assistance in alternate circumstances

For Questions Call 1-888-882-1350

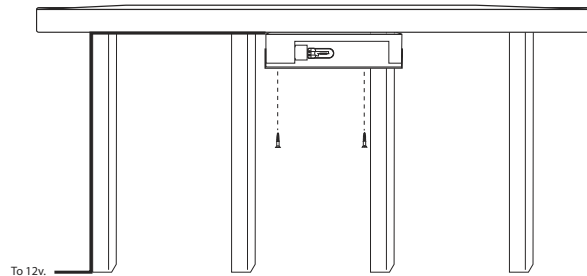


Illustration shown without coverplate