



SURFACE AND DIRECTIONAL FIXTURES SL-25-SERIES

SPECIFICATIONS

CONSTRUCTION: Cast aluminum or brass adjustable surface lights, adjustable aiming bracket on **-AB** models; copper models bearing a **-COP** suffix are constructed from spun copper

LENS: Convex high-impact clear tempered glass for brass (**-BRS** models) or flat tempered glass for aluminum and copper (**-COP**) models

SOCKET: High temperature ceramic bi-pin GU5.3 for MR16, GZ4 for MR11 with 250° C silicone lead wires

WIRING: Black 3 foot 18/2 zip cord

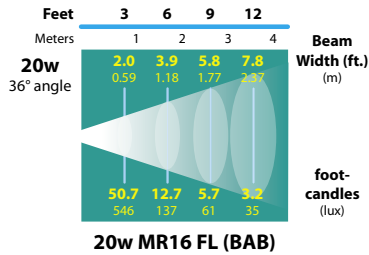
MOUNT: FA-111-SM surface mount

FINISH: Optional finishes available

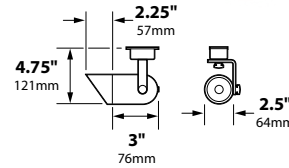
ORDERING INFORMATION

CATALOG NO.	DESCRIPTION	STANDARD FINISH
SL-25	Cast aluminum adjustable surface light	Black texture
SL-25-BRS	Cast brass adjustable surface light	Unfinished brass
SL-25-COP	Spun copper adjustable surface light	Unfinished copper

LIGHT DISTRIBUTIONS AND PHOTOMETRICS



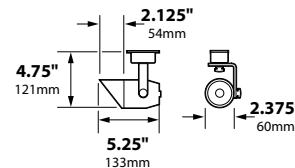
SL-25-BRS



SL-25



SL-25-COP



SL-25-COP



ACCESSORIES

CATALOG NO.	DESCRIPTION
RECOMMENDED ENHANCEMENTS FOR SL-25 SERIES:	
FA-08-21	Round 1/8" Hex Cell Louver
FA-11-BLUE	Blue Tempered Glass Lens
FA-11-GREEN	Green Tempered Glass Lens
FA-98	Linear Spread Tempered Glass Lens
FA-99	Convex Tempered Glass Lens
FA-104	Wide Spread Tempered Glass Lens Softener

12v. fixtures: 25 foot 16/2 fixture lead wire available; add **-25F** to catalog number. For use with Focus CPC or hub supplied by others.

FSA-00

Powder Coat Finishes	Black Texture (Standard)	Antique Verde	Bronze Texture	Camel	White Texture	Hunter Texture	Rust	Weathered Iron	Weathered Brown	Stucco	Rubbed Verde	Chrome Powder	Terra Cotta
Ordering Code	-BLT	-ATV	-BRT	-CAM	-WTX	-HTX	-RST	-WIR	-WBR	-STU	-RBV	-CPR	-TRC

JOB INFORMATION

Type: _____ Date: _____

Job Name: _____

Cat. No.: _____

Lamp(s): _____

Specifier: _____

Contractor: _____

Notes: _____

FOCUS INDUSTRIES INC.
25301 COMMERCE DRIVE
LAKE FOREST, CA 92630

www.focusindustries.com
sales@focusindustries.com
(949) 830-1350 • FAX (949) 830-3390

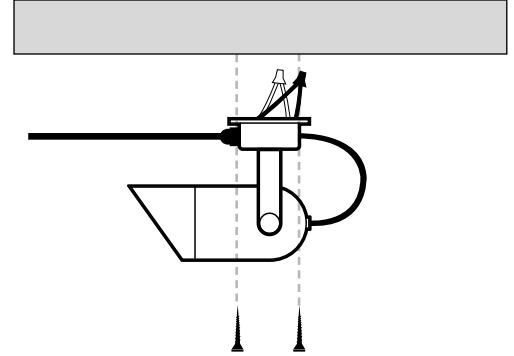


FOCUS[™]
INDUSTRIES

**INSTALLATION INSTRUCTIONS (12V)
FOR SL-25 SURFACE AND DIRECTIONAL FIXTURES**

Inspected by

- 1) Using Junction Box as a template mark holes to attach to surface. Drill hole if necessary.
- 2) Bring in 12v supply wire through liquid tight connector and wire to 18/2c zip cord using blue wirenuts provided.
- 3) Attach/screw box to surface with appropriate fastener. Wire supply wire to 12v and check for proper installation.



For Questions Call 1-888-882-1350