



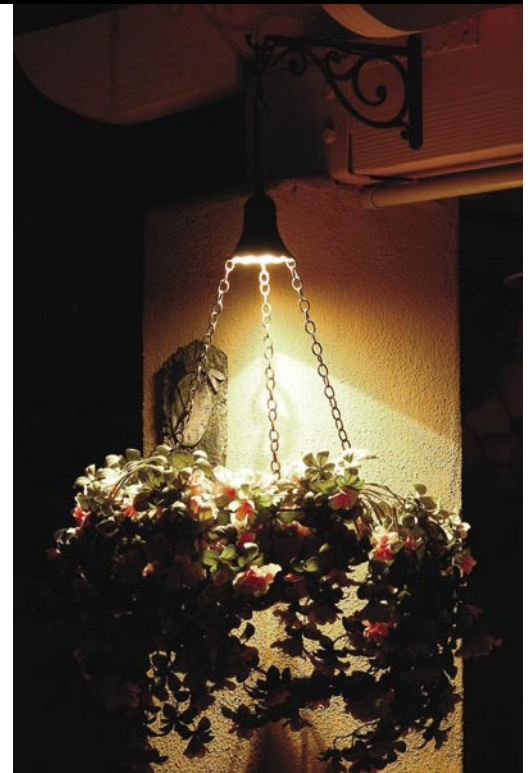
WALL MOUNTING LIGHTS SL-06-XBAS-SERIES

SPECIFICATIONS

CONSTRUCTION-SL-06-XBAS-BRS: Solid brass tulip
SL-06-XBAS: Cast aluminum tulip
 All supplied with 18" long baby oval brass chain with cast brass hoop

LAMP: 20 watt, xenon single contact base (25 watt max.)
LAMP LIFE: 10,000 hours average rating for xenon
SOCKET: Single contact bayonet, brass nickel plated screw shell (Ba15s) 200°C silicone lead wires
WIRING: Black 10 foot 18/2 zip cord
MOUNTING: FA-111 hanging mini junction box supplied
FINISH-SL-06-XBAS-BRS: Unfinished brass
SL-06-XBAS: Black texture
 Optional finishes available

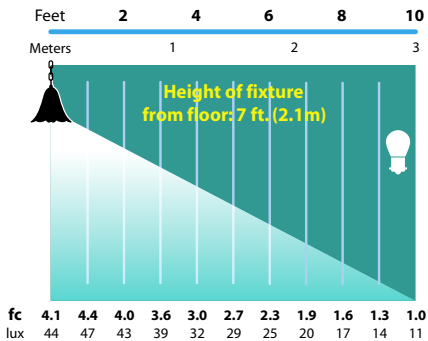
NOTE: 3 x 18" chains with snap hooks for quick connection to basket (not supplied). 10 feet of 18/2 lead wire supplied. White 18/2 lead wire is standard with white fixture, all other fixtures have black 18/2 wire.



ORDERING INFORMATION

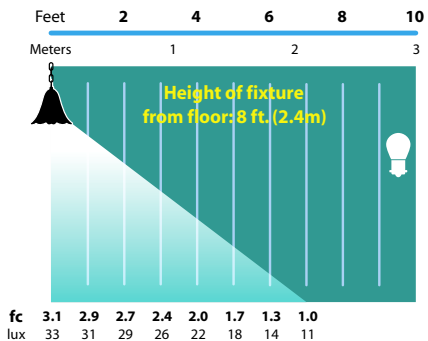
CATALOG NO.	DESCRIPTION	MATERIAL
SL-06-XBAS	Hanging Basket Light	Aluminum
SL-06-XBAS-BRS	Hanging Basket Light	Brass

LIGHT DISTRIBUTIONS AND PHOTOMETRICS



SL-06

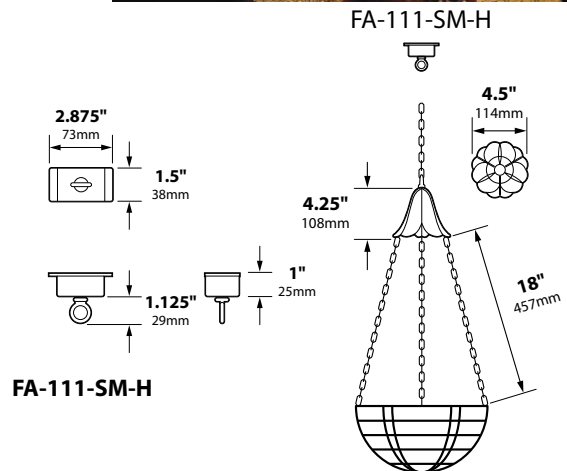
Half Spread Photometrics
20 ft. (6.0m) diameter



SL-06

Half Spread Photometrics
14 ft. (4.3m) diameter

12v. fixtures: 25 foot 16/2 fixture lead wire available; add **-25F** to catalog number.
 For use with Focus CPC or hub supplied by others.



FA-111-SM-H

FA-111-SM-H

SL-06XBAS
(Basket not included)



JOB INFORMATION

Type: _____ Date: _____

Job Name: _____

Cat. No.: _____

Lamp(s): _____

Specifier: _____

Contractor: _____

Notes: _____

FOCUS INDUSTRIES INC.
 25301 COMMERCENTRE DRIVE
 LAKE FOREST, CA 92630

www.focusindustries.com
sales@focusindustries.com
 (949) 830-1350 • FAX (949) 830-3390

FSA-00

Powder Coat Finishes	Black Texture (Standard)	Antique Verde	Bronze Texture	Camel	White Texture	Hunter Texture	Rust	Weathered Iron	Weathered Brown	Stucco	Rubbed Verde	Chrome Powder	Terra Cotta
Ordering Code	-BLT	-ATV	-BRT	-CAM	-WTX	-HTX	-RST	-WIR	-WBR	-STU	-RBV	-CPR	-TRC

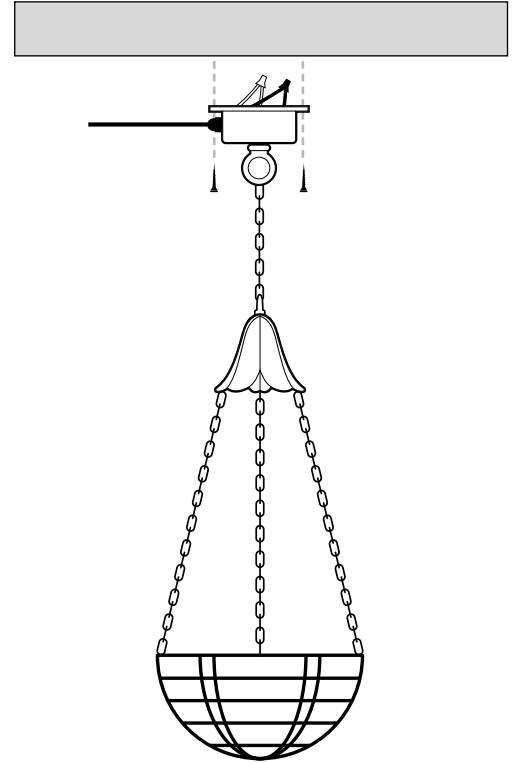


FOCUS[™]
INDUSTRIES

INSTALLATION INSTRUCTIONS (12V) FOR HANGING LIGHT FIXTURES

Inspected by

- 1) Using Junction Box as a template mark holes to attach to surface. Drill hole if necessary.
- 2) Bring in 12v supply wire through liquid tight connector and wire to 18/2c zip cord using blue wirenuts provided.
- 3) Attach/screw box to surface with appropriate fastner. Wire supply wire to 12v and check for proper installation.



For Questions Call 1-888-882-1350