



# PUTTING GREEN LIGHTS PGL-05-SERIES

## SPECIFICATIONS

**CONSTRUCTION:** PGL-05: Die cast brass cuplight with stamped brass bracket

**LENS:** Clear convex glass lens with optional color

**LAMP:** 20w MR16 (ESX) spot 5000 hr

**LAMP LIFE:** 5,000 hr

**WIRING:** 25 feet 16/2c leadwire

## ORDERING INFORMATION

CATALOG NO.	DESCRIPTION	MATERIAL	EST. SHIP. WEIGHT
PGL-05	Die Cast Cup Light with Stamped Brass Bracket	Brass	4 lb

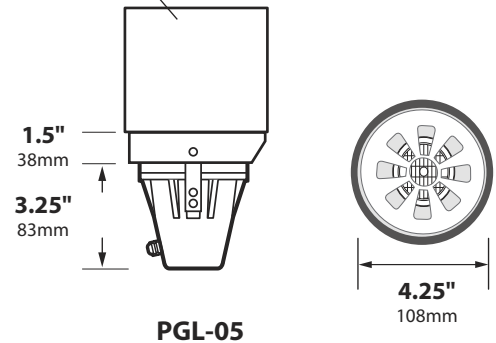


PGL-05

## ACCESSORIES

CATALOG NO.	DESCRIPTION
FA-FLAG-(1-5)	Clear Acrylic Flag with Specified Number

Note: Cup not supplied.



PGL-05



### JOB INFORMATION

Type: \_\_\_\_\_ Date: \_\_\_\_\_

Job Name: \_\_\_\_\_

Cat. No.: \_\_\_\_\_

Lamp(s): \_\_\_\_\_

Specifier: \_\_\_\_\_

Contractor: \_\_\_\_\_

Notes: \_\_\_\_\_

FOCUS INDUSTRIES INC. 25301 COMMERCENTRE DRIVE LAKE FOREST, CA 92630  
 www.focusindustries.com sales@focusindustries.com (949) 830-1350 • FAX (949) 830-3390

FSA-00

Powder Coat Finishes	Black Texture (Standard)	Antique Verde	Bronze Texture	Camel	White Texture	Hunter Texture	Rust	Weathered Iron	Weathered Brown	Stucco	Rubbed Verde	Chrome Powder	Terra Cotta
Ordering Code	-BLT	-ATV	-BRT	-CAM	-WTX	-HTX	-RST	-WIR	-WBR	-STU	-RBV	-CPR	-TRC



## INSTALLATION INSTRUCTIONS FOR PGL-05 PUTTING GREEN CUP LIGHT FIXTURES

Inspected by

**NOTE:** Fixtures should be installed prior to turf installation.

1) Insert PGL-05 into cup and place in desired location. Leave extra wire in bottom of cup to change lamp.

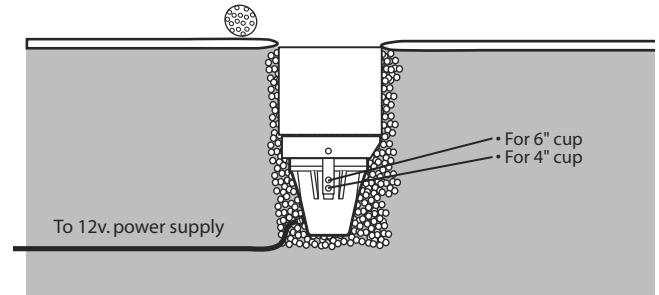
**NOTE:** Bracket will need to be adjusted to top hole if using 6" cup.

2) Run wire to 12v power supply.  
3) Check for proper installation.

### LAMP INSTALLATION/REPLACEMENT

**CAUTION: Do not exceed maximum wattage marked on fixture label.**

1) Insure power is off.  
2) Remove cup and unscrew top cover.  
3) Remove lamp and replace with same type/wattage  
4) Replace cap, reinstall into cup.  
5) Check for proper installation.



**For Questions please Call: 1-888-882-1350**



## INSTALLATION INSTRUCTIONS FOR PGL-05 PUTTING GREEN CUP LIGHT FIXTURES

Inspected by

**NOTE:** Fixtures should be installed prior to turf installation.

1) Insert PGL-05 into cup and place in desired location. Leave extra wire in bottom of cup to change lamp.

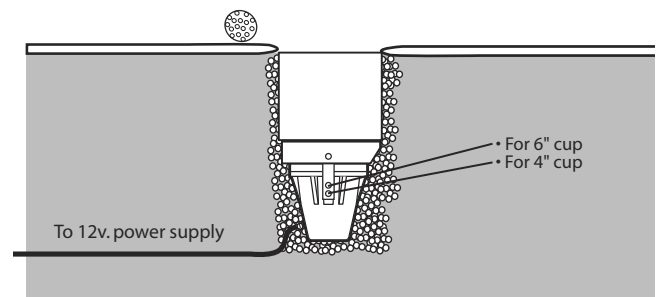
**NOTE:** Bracket will need to be adjusted to top hole if using 6" cup.

2) Run wire to 12v power supply.  
3) Check for proper installation.

### LAMP INSTALLATION/REPLACEMENT

**CAUTION: Do not exceed maximum wattage marked on fixture label.**

1) Insure power is off.  
2) Remove cup and unscrew top cover.  
3) Remove lamp and replace with same type/wattage  
4) Replace cap, reinstall into cup.  
5) Check for proper installation.



**For Questions please Call: 1-888-882-1350**