



PATH LIGHTS PL-18

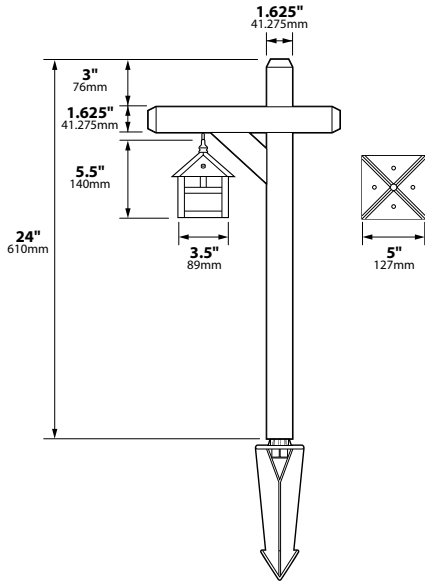


SPECIFICATIONS

CONSTRUCTION-PL-18: Solid brass hanging lantern on wood post
POST: 2" x 2" rough sawn Douglas Fir, stained dark walnut.
LENS: Gold iridescent glass. Cracked Ice plastic lens available (-ICE)
LAMP SUPPLIED: 18 watt 5-8 #1141; 1200 hours average rating (25w max.)
LAMP OPTIONS: 12v.-We recommend 10,000 hours average rating Xenon (-X) or Halogen (-H) or 1.5w 35,000 hours average rating OMNI LED
 120v.- T-4H, T-7, T-8 2,500 hours average rating
SOCKET: Single contact bayonet, brass nickel plated screw shell (Ba15s), 200° silicone lead wires
WIRING: Black 3 foot 18/2 (SPT-1W) zip cord from base of fixture
MOUNTING: FA-03-LG 9" black ABS stake. Optional mounting available
LANTERN FINISH: Unfinished Brass, see bottom of page for optional finishes available
OPTIONAL FINISHES: Brass Acid Rust (-BAR), Brass Acid Verde (-BAV)

ORDERING INFORMATION

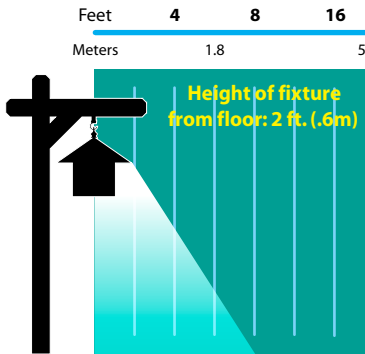
| CATALOG NO. | DESCRIPTION | MATERIAL | EST WT |
|-------------|--|-----------------------------|--------|
| PL-18-BRS | Solid brass hanging lantern on wood post | Solid brass, hard wood post | 4 lbs |



PL-18

10,000 HOUR
XENON
&
HALOGEN
RECOMMENDED

LIGHT DISTRIBUTIONS AND PHOTOMETRICS



PL-18

Half Spread Photometrics
16 ft. (4.87m) diameter

12v. fixtures: 25 foot 16/2 fixture lead wire available; add -25F to catalog number.
For use with Focus CPC or hub supplied by others.



JOB INFORMATION

Type: _____ Date: _____

Job Name: _____

Cat. No.: _____

Lamp(s): _____

Specifier: _____

Contractor: _____

Notes: _____

FOCUS INDUSTRIES INC.
25301 COMMERCENTRE DRIVE
LAKE FOREST, CA 92630

www.focusindustries.com
sales@focusindustries.com
(949) 830-1350 • FAX (949) 830-3390

FSA-00

| Powder Coat Finishes | Black Texture (Standard) | Antique Verde | Bronze Texture | Camel | White Texture | Hunter Texture | Rust | Weathered Iron | Weathered Brown | Stucco | Rubbed Verde | Chrome Powder | Terra Cotta |
|----------------------|--------------------------|---------------|----------------|-------|---------------|----------------|------|----------------|-----------------|--------|--------------|---------------|-------------|
| Ordering Code | -BLT | -ATV | -BRT | -CAM | -WTX | -HTX | -RST | -WIR | -WBR | -STU | -RBV | -CPR | -TRC |