



# COMMERCIAL BARBECUE LIGHT BQ-CWB01 COMMERCIAL SERIES

TYPE

## SPECIFICATIONS

- CONSTRUCTION:** 316 stainless steel housing
- ARM:** 24" tall 316 stainless steel ridged stem and 335° x 90° rotating swivel
- MOUNT:** 7" diameter, 6 pound weight with stainless steel cover and non-skid rubber padding
- FINISH:** Stainless Steel – Brushed
- LENS:** High impact clear tempered flat glass
- O-RING:** High temperature red silicone, 70 durometer
- SWITCH:** On/Off push button with weatherproof rubber boot cover

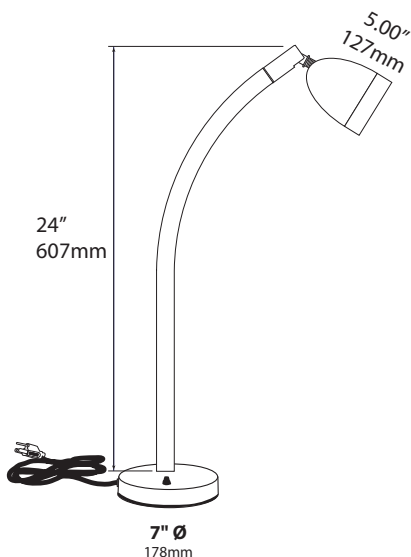
### 120v ELECTRICAL SPECIFICATIONS:

- LED SUPPLIED:** 7w ARROW PAR16 (L-134)
- 40,000 hours average rating
- SOCKET:** High temperature ceramic Base (E26/27) medium base, 250°C silicone insulated lead wires
- WIRING:** Standard Three Wire 16" lead wires from base of fixture



## ORDERING INFORMATION

CATALOG NO.	DESCRIPTION	LAMP	SHIP WEIGHT
<b>120v</b> BQCWB01L134SS	Commercial Weighted Base BQ Light.	7w PAR16 LED SS	7.0 lbs



JOB INFORMATION	
Type:	Date:
Job Name:	
Cat. No.:	
Lamp(s):	
Specifier:	
Contractor:	
Notes:	
<b>FOCUS INDUSTRIES INC.</b> 25301 COMMERCENTRE DRIVE LAKE FOREST, CA 92630	
www.focusindustries.com sales@focusindustries.com (949) 830-1350 • FAX (949) 830-3390	