



BARBECUE LIGHTS BQ-16- SERIES



TYPE

SPECIFICATIONS

CONSTRUCTION:

- FIXTURE:** Cast 316 stainless steel body and matching angle cap.
- ARM:** 12" 316 stainless steel rigid stem with 16" Stainless steel flex arm on top. Clear polyolefin shrink cover protection on flex arm.
- MOUNT:** Cast 316 stainless steel deck mount canopy
- SWITCH:** On/Off push button with weatherproof rubber boot cover
- LENS:** High impact clear tempered flat glass
- O-RING:** High temperature red silicone
- FINISH:** Stainless Steel - Brushed

12v ELECTRICAL SPECIFICATIONS:

- LED LAMP SUPPLIED:** 7w (-L48) MR16 ARROW Super Saver LED
- SOCKET:** High temperature ceramic GU5.3 bi-pin with 250°C silicone lead wires
- WIRING:** Black 7 foot 18/2 zip cord from base of fixture
For 25 foot 16/2 fixture lead wire add **-25F** to catalog number

120v ELECTRICAL SPECIFICATIONS:

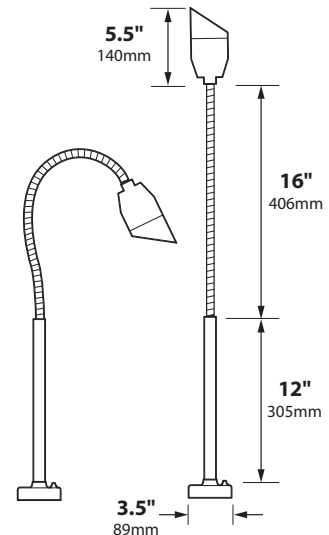
- LED LAMP OPTION:** 7w PAR16; (L-134) 40,000 hour
- SOCKET:** High temperature ceramic medium base with 250°C silicone lead wires
- WIRING:** Standard Black, White and Ground 9" lead wires



ORDERING INFORMATION

CATALOG NO.	DESCRIPTION	LAMP	SHIP WEIGHT
12v			
BQ-16-FD-L48-SS	316 Stainless Steel Flex Deck BBQ Light	7w MR16 LED SS	4.0 lbs.
BQ-16-FC-L48-SS	316 Stainless Steel Flex Deck 5" clamp Mount BBQ Light	7w MR16 LED SS	4.0 lbs.
BQ-16-QCS-L48-SS	316 Stainless Steel Flex Deck Quick connect Mount BBQ Light	7w MR16 LED SS	4.0 lbs.
BQ-16-WB-L48-SS	316 Stainless Steel Flex Deck Weighted base BBQ Light	7w MR16 LED SS	4.0 lbs.
120v			
BQ-16-FD-L134-SS	316 Stainless Steel Flex Deck BBQ Light	7w PAR16LED SS	4.0 lbs.
BQ-16-FC-L134-SS	316 Stainless Steel Flex Deck 5" clamp Mount BBQ Light	7w PAR16LED SS	4.0 lbs.
BQ-16-QCS-L134-SS	316 Stainless Steel Flex Deck Quick connect Mount BBQ Light	7w PAR16LED SS	4.0 lbs.
BQ-16-WB-L134-SS	316 Stainless Steel Flex Deck	7w PAR16LED SS	4.0 lbs.

** FOR 3" CLAMP MOUNT PLEASE ADD **FC3** TO PART NUMBER



JOB INFORMATION	
Type:	Date:
Job Name:	
Cat. No.:	
Lamp(s):	
Specifier:	
Contractor:	
Notes:	
FOCUS INDUSTRIES INC. 25301 COMMERCENTRE DRIVE LAKE FOREST, CA 92630	
www.focusindustries.com sales@focusindustries.com (949) 830-1350 • FAX (949) 830-3390	

Black Texture (Standard)	Antique Verde	Bronze Texture	Camel	White Texture	Hunter Texture	Rust	Weathered Iron	Weathered Brown	Stucco	Rubbed Verde	Chrome Powder	Acid Rust	Acid Verde	Black Acid Treatment
-BLT	-ATV	-BRT	-CAM	-WTX	-HTX	-RST	-WIR	-WBR	-STU	-RBV	-CPR	-BAR/CAR	-BAV/CAV	-BAT