



BARBECUE LIGHTS

BQ-03-FC, -FD-SERIES

SPECIFICATIONS

CONSTRUCTION: Heavy-duty spun aluminum bell (**BQ-03-FC**) mounted to 24" or 36" (designated **-36**) stainless steel flex arm, chrome plated with black polyolefin shrink cover

CLAMP: 5" heavy duty stainless steel C-clamp with 6" black plastic T-handle

SWITCH: On/off push button control with rubber boot cover

WIRING: 12v. models: 18/2 black zip cord, 9 foot length from base of fixture, 120v. models: 1 foot black SJT-WA grounded power cord supplied

CONNECTION: Optional FA-05 Quick Connector required to attach fixture lead to main cable of landscape lighting system. (12 volt only)

SOCKET: Brass nickel plated screw shell with high-temperature ceramic contact and stainless steel spring (Ba15s) 200°C silicone lead wires

LAMP LIFE: 2000 hours average rating

STANDARD FINISH: Black texture polyester powder coat. With powder coat options, fixture heads will have black shrink tubing over flex arms, clamp will have black finish-optional finishes available

CONSTRUCTION: Spun aluminum bell (**BQ-03-FD**) mounted to 24" or 36" (designated **-36**) stainless steel flex arm, chrome plated with black polyolefin shrink cover.

BASE AND SWITCH: New style stainless steel base with on/off push button control with rubber boot cover

WIRING: 12v. models: 18/2 black zip cord, 7 foot length from base of fixture

SOCKET: Brass nickel plated screw shell with ceramic contact and stainless steel spring (Ba15s) 200°C silicone lead wires

CONNECTION: Optional FA-05 Quick Connector required to attach fixture lead to main cable of landscape lighting system. (12 volt only)

LAMP LIFE: 2000 hours average rating

STANDARD FINISH: Black texture polyester powder coat-optional finishes available

ORDERING INFORMATION

| CATALOG NO. | DESCRIPTION | ARM LENGTH | LAMP SUPPLIED | STANDARD FINISH |
|-------------|-------------|------------|---------------|-----------------|
|-------------|-------------|------------|---------------|-----------------|

12 VOLT

Transformer required for all low-voltage BBQ lights.

| | | | | |
|-----------------------|--|-----|------------|-----------------|
| BQ-03-FC | 4.5" dia. heavy-duty spun alum. bell | 24" | 20 watt T4 | Black texture |
| BQ-03-FC-SS | 4.5" dia. heavy-duty spun stainless steel bell | 24" | 20 watt T4 | Stainless steel |
| BQ-03-FC-36 | 4.5" dia. heavy-duty spun alum. bell | 36" | 20 watt T4 | Black texture |
| BQ-03-FC-36-SS | 4.5" dia. heavy-duty spun stainless steel bell | 36" | 20 watt T4 | Stainless steel |
| BQ-03-FD | 4.5" dia. heavy-duty spun alum. bell | 24" | 20 watt T4 | Black texture |
| BQ-03-FD-SS | 4.5" dia. heavy-duty spun stainless steel bell | 24" | 20 watt T4 | Stainless steel |
| BQ-03-FD-36 | 4.5" dia. heavy-duty spun alum. bell | 36" | 20 watt T4 | Black texture |
| BQ-03-FD-36-SS | 4.5" dia. heavy-duty spun stainless steel bell | 36" | 20 watt T4 | Stainless steel |

120 VOLT

9 foot black SJT-WA grounded power cord supplied with all 120v. Flex Clamp (-FC) fixtures.

| | | | | |
|----------------------------|--|-----|------------|-----------------|
| BQ-03-FC-120V | 4.5" dia. heavy-duty spun alum. bell | 24" | 35 watt T4 | Black texture |
| BQ-03-FC-120V-SS | 4.5" dia. heavy-duty spun stainless steel bell | 24" | 35 watt T4 | Stainless steel |
| BQ-03-FC-120V-36 | 4.5" dia. heavy-duty spun alum. bell | 36" | 35 watt T4 | Black texture |
| BQ-03-FC-120V-36-SS | 4.5" dia. heavy-duty spun stainless steel bell | 36" | 35 watt T4 | Stainless steel |

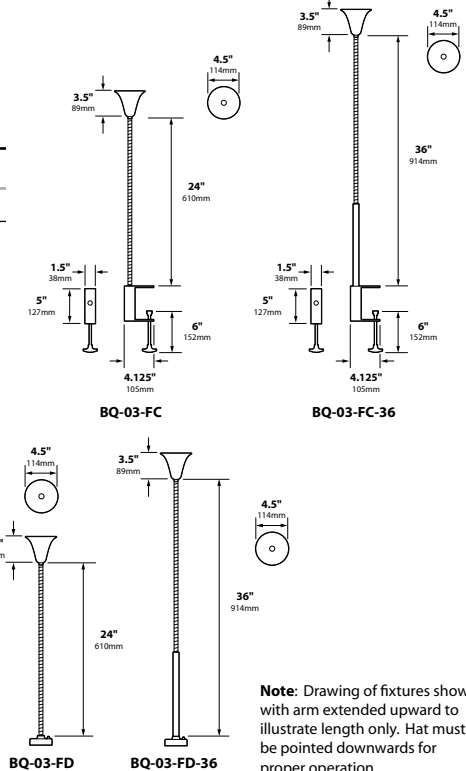
Standard wiring black, white and ground with 9" leads

| | | | | |
|----------------------------|--|-----|------------|-----------------|
| BQ-03-FD-120V | 4.5" dia. heavy-duty spun alum. bell | 24" | 35 watt T4 | Black texture |
| BQ-03-FD-120V-SS | 4.5" dia. heavy-duty spun stainless steel bell | 24" | 35 watt T4 | Stainless steel |
| BQ-03-FD-120V-36 | 4.5" dia. heavy-duty spun alum. bell | 36" | 35 watt T4 | Black texture |
| BQ-03-FD-120V-36-SS | 4.5" dia. heavy-duty spun stainless steel bell | 36" | 35 watt T4 | Stainless steel |

10,000 HOUR
XENON
&
HALOGEN
AVAILABLE



BQ-03-FD-SS



Note: Drawing of fixtures shown with arm extended upward to illustrate length only. Hat must be pointed downwards for proper operation.



12v. fixtures: 25 foot 16/2 fixture lead wire available; add **-25F** to catalog number. For use with Focus CPC or hub supplied by others.

FSA-00

JOB INFORMATION

| | |
|-------------|-------|
| Type: | Date: |
| Job Name: | |
| Cat. No.: | |
| Lamp(s): | |
| Specifier: | |
| Contractor: | |
| Notes: | |

FOCUS INDUSTRIES INC.
25301 COMMERCENTRE DRIVE
LAKE FOREST, CA 92630

www.focusindustries.com
sales@focusindustries.com
(949) 830-1350 • FAX (949) 830-3390

| Powder Coat Finishes | Black Texture (Standard) | Antique Verde | Bronze Texture | Camel | White Texture | Hunter Texture | Rust | Weathered Iron | Weathered Brown | Stucco | Rubbed Verde | Chrome Powder | Terra Cotta |
|----------------------|--------------------------|---------------|----------------|-------------|---------------|----------------|-------------|----------------|-----------------|-------------|--------------|---------------|-------------|
| Ordering Code | -BLT | -ATV | -BRT | -CAM | -WTX | -HTX | -RST | -WIR | -WBR | -STU | -RBV | -CPR | -TRC |