



AREA LIGHTS AL-01 SERIES



TYPE

SPECIFICATIONS

CONSTRUCTION: Cast aluminum or cast brass China Hat; matching extruded aluminum or brass stanchion

LAMP SUPPLIED: 18w S8 #1141; 1200 hours average rating (25w max.)

LAMP OPTIONS: We recommend 10,000 hours average rating 20w Xenon (-X) or 20w Halogen (-H) or 2.2w 50,000 hours average rating OMNI-2 LED (-LED2)

SOCKET: Single contact bayonet, brass nickel plated lamp socket screw shell (Ba15s); double contact bayonet base (Ba15d) for 120v, both with 200°C silicone lead wires

WIRING: Black 3 foot 18/2 zip cord from base of fixture (12v only)

For 25 foot 16/2 fixture lead wire add -25F to catalog number.
120v Standard wiring

CONNECTION: FA-05 Quick Connector (not supplied) from fixture to main cable (12/2, 10/2 or 8/2 only) 12v only

MOUNTING: FA-03 black 9" ABS stake, tapped 1/2" NPS

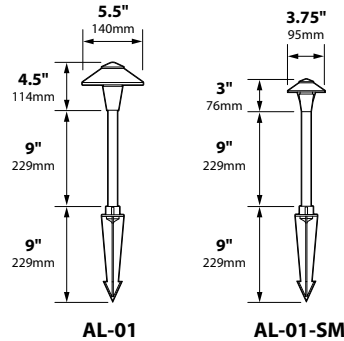
FINISH: Aluminum-Black texture polyester powder coat. Optional finishes available.
Brass-Unfinished brass. Optional finishes available.

ORDERING INFORMATION

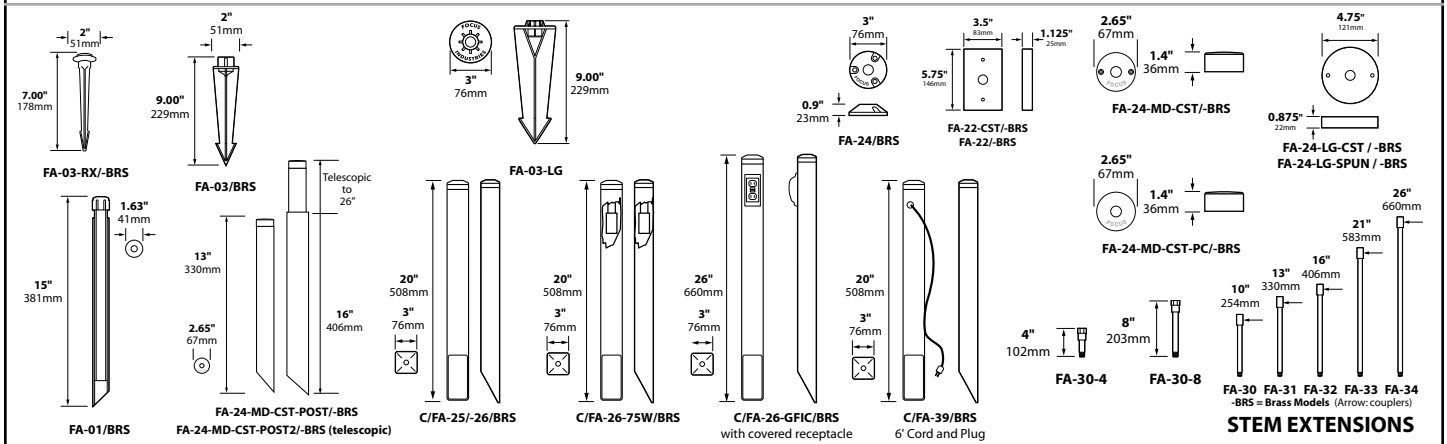
CATALOG NO.	DESCRIPTION	LAMP	SHIP WEIGHT
AL-01-BLT	Cast Aluminum 5.5" China Hat	18w S8 #1141	2.0 lbs.
AL-01-BRS	Cast Brass 5.5" China Hat	18w S8 #1141	3.0 lbs.
AL-01-SM-BLT	Cast Aluminum 3.75" China Hat	18w S8 #1141	2.0 lbs.
AL-01-SM-BRS	Cast Brass 3.75" China Hat	18w S8 #1141	3.0 lbs.



AL-01-BAR



MOUNTING ACCESSORIES

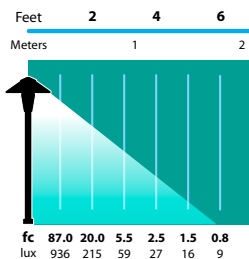


BEAM/GLARE CONTROL ACCESSORIES

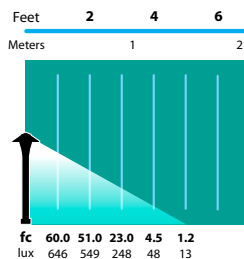
FA-97-01 AL-01 Sprinkler Guard / Glare Shield
FA-97-01-SM AL-01-SM Sprinkler Guard / Glare Shield

-AH Add to catalog # for Adjustable Hub

LIGHT DISTRIBUTIONS AND PHOTOMETRICS



AL-01
Half Spread Photometrics
12 ft. (3.7m) diameter



AL-01-SM
Half Spread Photometrics
10 ft. (3.0m) diameter

JOB INFORMATION

Type: _____ Date: _____

Job Name: _____

Cat. No.: _____

Lamp(s): _____

Specifier: _____

Contractor: _____

Notes: _____

FOCUS INDUSTRIES INC.
25301 COMMERCENTRE DRIVE
LAKE FOREST, CA 92630

www.focusindustries.com
sales@focusindustries.com
(949) 830-1350 • FAX (949) 830-3390

Black Texture (Standard)	Antique Verde	Bronze Texture	Camel	White Texture	Hunter Texture	Rust	Weathered Iron	Weathered Brown	Stucco	Rubbed Verde	Chrome Powder	Terra Cotta	Acid Rust	Acid Verde	Black Acid Treatment
-BLT	-ATV	-BRT	-CAM	-WTX	-HTX	-RST	-WIR	-WBR	-STU	-RBV	-CPR	-TRC	-BAR/CAR	-BAV/CAV	-BAT