

DATE:	LOCATION:
TYPE:	PROJECT:
CATALOG #:	

# EZ-2™ Series

LED EMERGENCY LIGHT

## FEATURES

- Fully adjustable LED lamp heads
- Up to 39' multiple unit spacing
- Easy access battery compartment
- Intelligent 2-wire input connection
- External push-to-test switch and AC-on indicator
- Battery recharge within 24 hours
- AC Lock-out circuit
- Low voltage disconnect (LVD)
- Conduit entry knock-out located at the top center
- Microprocessor-controlled pulse charger



## RELATED PRODUCTS

- [EZ-EVWPC - White Adapter Plate](#)
- [EZ-EVWPCB - Black Adapter Plate](#)



## SPECIFICATIONS

### APPLICATION

- The EZ-2 series is a commercial emergency lighting unit designed for fast wall mount installation and reliable service
- Optional wall plate for retrofit or new construction
- The EZ-2 has a flame-rated, UV stable thermoplastic housing available in white and black textured finish
- Includes an easy access front battery compartment for ease of maintenance
- Unit provides a full 90 minutes of emergency lighting
- Includes fully automatic microprocessor-controlled pulse charger and Nickel Metal Hydride(NiMH) battery
- The EZ-2 accepts dual-voltage input of 120 or 277VAC at 60 Hz
- Available with optional Spectron® self-test/self-diagnostic circuitry

### CONSTRUCTION

- The EZ-2 series housing and lamp heads are made from durable injection molded thermoplastic
- Models use two high-output 1 watt LED lamp heads made with an acrylic lens

### INSTALLATION

- Universal mounting template and wiring knock-out molded in the back plate aids in quick installation
- Unit can be ceiling or wall mounted
- Unit wall mounts to all standard 3 1/2" and 4" square or octagonal electrical boxes
- Conduit entry through a molded-in knock-out at the top center
- Ordered separately, the EZ-2 Adapter plate accessory matches the larger footprint of previous EZ-2 fixtures. It eliminates the need for cosmetic wall fixes during retrofit
- Fixture includes a battery compartment and door, which allows easy access to the battery assembly and connection for ease of service
- Pre-stripped AC input leads provided

### ILLUMINATION

- The EZ-2 series provides illumination with two fully adjustable high lumen LED lamp heads
- Photometrics are available for download at [www.dual-lite.com](http://www.dual-lite.com)

### COMPLIANCES

- Listed to UL924 Standard
- NFPA 101
- NFPA 70
- Damp Location Listed to UL924
- CEC T20 Compliant

### WARRANTY

- LED Lifetime Warranty
- EZ-2 Full 3-year Warranty
- EZ-2 with Spectron® Full 5-year Warranty
- See [HLI Standard Warranty](#) for additional information

KEY DATA	
Lamp Color	5000K
Total Lamp Output	1W, 139lm/Lamp Head
System Efficacy (LPW)	157
Rated LED Lifecycle (Hours)	>100,000

DATE:	LOCATION:
TYPE:	PROJECT:
CATALOG #:	

# EZ-2™ Series

LED EMERGENCY LIGHT

## ORDERING GUIDE

Example: EZ-2L

CATALOG #

EZ-2L					
Model		Self Diagnostics		Finish	
EZ-2L <sup>1</sup>	Commercial Emergency Light	<b>Blank</b>	None	<b>Blank</b>	White Housing
		<b>I</b>	Spectron® Self-test/Self-diagnostic Electronics <sup>1</sup>	<b>B</b>	Black Housing

### Accessories (Order Separately)

- EZ-EVWPC White Adapter Plate
- EZ-EVWPCB Black Adapter Plate



Adapter Plate

Notes:  
1 Damp Location standard on all EZ-2 Models

## ELECTRONICS

Upon failure of normal utility power, a solid-state transfer switch automatically activates the emergency LED lamp-heads. Upon resumption of normal utility power, the battery is disconnected from the load and recharged through a microprocessor-controlled pulse charger. The battery is a maintenance-free Nickel Metal Hydride(NiMH) type. The EZ-2 Series accepts dual-voltage input of 120 or 277VAC at 60 Hz. A low voltage battery disconnect (LVD) feature protects the battery from severe damage during prolonged power failures. Manual testing is available at any time using the push-to-test button.

Number of Lamps - 2 High Power LEDs at 1 watt each configured so that if 1 lamp malfunctions, the remaining lamp will continue to provide illumination.

## OPTIONAL SPECTRON® FEATURES

- Self-diagnostics monitors LED status, LED load transfer circuit, battery capacity and charger function and displays any fault detection by means of a flashing code
- Self-Test feature automatically runs a 1 minute test once a month and an alternating 30 or 60 minute test once every 6 months. Multi-color LED indicator provides visible fault detection and charging status.
- User initiated 1 or 90-minute system test feature
- 15-minute retransfer delay
- Automatic unit transfer in brown-out conditions (below 80% of nominal AC input voltage)

## OPERATING TEMPERATURE RANGE

Standard Models: (Damp Listed): 50° to 104°F (10° to 40°C)

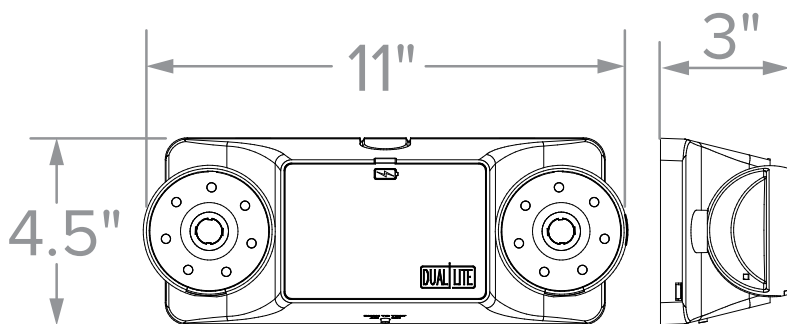
## WEIGHT

1.52 lbs

## MAXIMUM POWER CONSUMPTION

	AC Voltage	Hz.	Amps.	Watts	Power Factor
EZ-2	120	60	0.015	1.10	0.61
	277	60	0.008	1.45	0.62

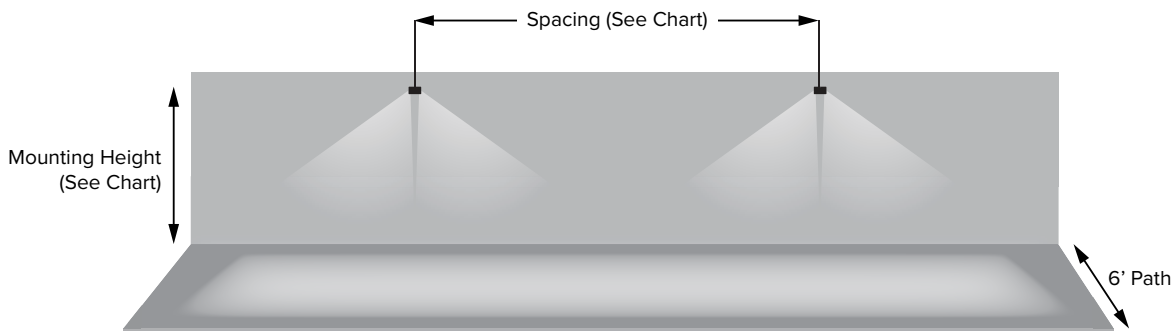
## DIMENSIONS



# EZ-2™ Series

LED EMERGENCY LIGHT

## SPACING CRITERIA



Wall/Ceiling Mount Spacing		
Mounting Height	Path Width	Multiple Unit Spacing
7.5'	6'	30'
9'	6'	39'

## EZ-2

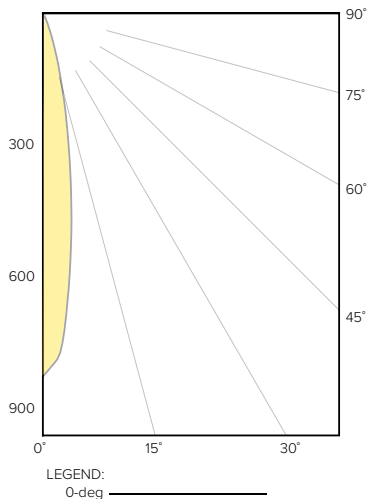
### LUMINAIRE DATA

Test No.	20.00149
Description	Commercial Emergency Light
Watts	9.0
Efficacy	1571 lm/W
Mounting	Wall
Spacing Criterion	0.31

### ZONAL LUMEN SUMMARY

Zone	Lumens	% Luminaire
0-40	127	91.5
0-60	375	97.0
0-90	139	100.0
0-180	139	100.0

### POLAR GRAPH



### CANDELA DISTRIBUTION

Angle	Candela (0.0)
0	827
5	657
15	173
25	34
35	10
45	6
55	4
65	18
75	1
85	0
90	0