



# WGC42FE

## UL 924 Listed Outdoor Emergency Full Cutoff Wall Pack

Catalog Number	
Comments	Type

### FEATURES

#### Application

Dual-Lite Ridgeline® outdoor lighting fixtures provide task and convenience lighting for outdoor entrance/exit ways, perimeter walkways and under canopy installations. Built-in battery packs provide 90 minutes of emergency illumination in the event of a utility power failure

#### Construction

The WGC42FE is constructed of die-cast aluminum back housing and backbox, tempered glass lens with a dark bronze finish

#### Installation

Universal housing knockouts for mounting to 4" octagon or 4" square electrical boxes in ceiling mount applications. Recommended mounting height is 8' to 15'.

#### Lamp

Illumination is provided by a 4-pin, 42W low mercury compact fluorescent lamp

#### Compliances

- UL 924 Listed (emergency models only)
- UL 1598 Listed (luminaires)
- Wet Location Listed
- StarView™ Compliant
- NFPA 101 Life Safety Code
- NFPA 70 National Electrical Code

#### Warranty

Three-year warranty for unit, electronics and battery

## Ridgeline®

WGC42FE, Full Cutoff Wall Pack

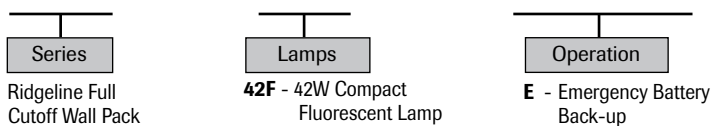


StarView™  
compliant



### ORDERING GUIDE

## WGC





### SPECIFICATIONS

#### Electronics

When normal utility supplied power is interrupted, Ridgeline outdoor lighting fixtures will automatically transfer to inverted battery power and provide emergency fixture illumination for 90-minutes. The battery is optimized for use with a low mercury lamp. Following the return of normal utility power, the charging circuit will bring the battery pack to full recharge in 24 hours. A test switch and LED charge indicator light is provided for testing and monitoring of unit performance. Universal input allows operation from either 120 or 277VAC.

Input: 120/277VAC

AC Input Power:

Heater On: 16 watts

Heater Off: 4 watts

RidgeLine Emergency Wallpack Temperature Range:

-20°C to 40°C (-4°F to 104°F)

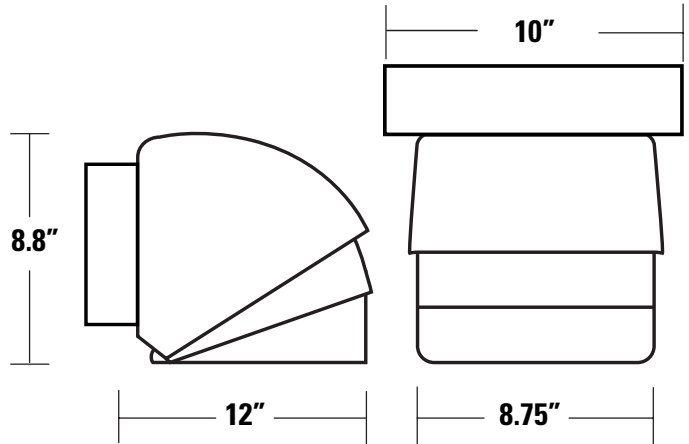
Normal Lamp Ballast: Per manufacturer's specifications

Emergency Operation Ballast:

- Nickel-cadmium battery
- Solid state battery charger
- Automatic transfer circuit
- High-frequency inverter
- Up to 1250 initial lumens output
- End-of-lamp-life compatible

Shipping Weight: 12.5 lbs

### DIMENSIONS



### PHOTOMETRY

PHOTOMETRIC FILENAME : WGC-42CFL-E.IES

ISOFOOTCANDLE LINES OF HORIZONTAL ILLUMINANCE

