



C1D2 Series

Wet location emergency lighting units, listed for use in NEC Class I, Division 2, Groups B, C and D, and Class I, Zone 2, Group IIB+H₂ environments.



Single Head Remote Fixture, Left Side Hub (3/4"), Shown With Mounting Feet Installed



Twin Head Remote Fixture, Left Side Hub (3/4"), Shown With Mounting Feet Installed

Catalog Number	
Comments	Type

Features

- Compact, factory assembled system
- Operates for two hours (minimum)
- 8-watt PAR 36 sealed beam halogen lamps standard
- 12-watt halogen lamps optional
- 36-watt or 72-watt unit capacity
- 6 or 12VDC emergency operation
- Remote fixtures available
- Universal transformer allows 120, 220, 240 or 277VAC operation
- Maintenance-free battery
- Solid-state, temperature-compensated battery charging circuit
- Reliable, solid-state transfer circuit
- 15-minute time delay circuit provided
- Non-metallic, polymeric enclosure and lighting heads
- Corrosion-resistant stainless steel exterior hardware
- One-piece cover gasket provides superior sealing
- 4 captive cover screws for easy removal/installation
- Sealed test switch and LED "AC ON" indicator
- Temperature range: 0°C to 40°C (32°F to 104°F)
- T5 (100°C) environmental temperature rating
- UL Listed to standard 924 (Emergency Lighting Equipment) and standard 844 (Hazardous Locations Classified)
- Meets or exceeds applicable NEC and Life Safety Code requirements

Product Selector

Model Number	DC Volts	Lamp Watts ⁽¹⁾	Total Watts For 2 hours ⁽²⁾
C1D2-6V36	6	8	36
C1D2-6V72	6	8	72
C1D2-12V36	12	8	36
C1D2-12V72	12	8	72

Options (add suffix to model)

-0	Unit supplied with no lighting heads
-1	Unit supplied with single lighting head
-12W	Unit supplied with 12W halogen lamps

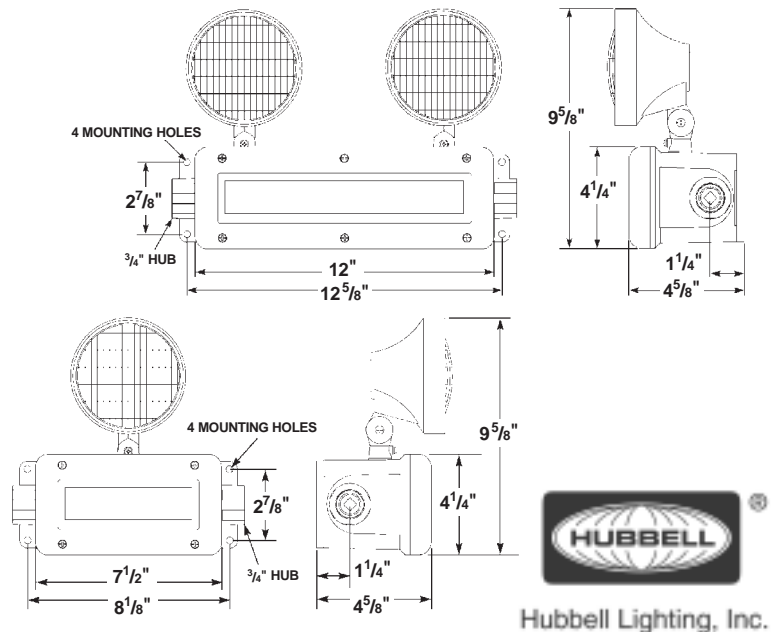
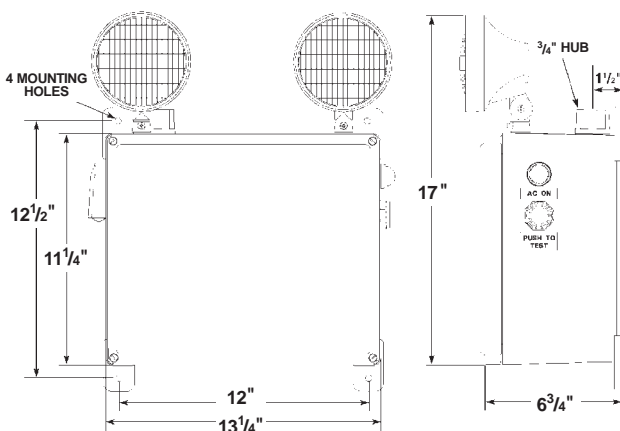
Remote Fixtures

Lamp(s) ⁽¹⁾		Model Numbers		
		Single Head:		
Volts	Watts	Hub, Left side	Hub, Right side	Hub, Both sides
6	8	C1D2R-6V8W	C1D2R-6V8WR	C1D2R-6V8WF
6	12	C1D2R-6V12W	C1D2R-6V12WR	C1D2R-6V12WF
12	8	C1D2R-12V8W	C1D2R-12V8WR	C1D2R-12V8WF
12	12	C1D2R-12V12W	C1D2R-12V12WR	C1D2R-12V12WF
Lamp(s) ⁽¹⁾		Twin Head:		
		Volts	Watts	Hub, Left side
6	8	C1D2TR-6V8W	C1D2TR-6V8WR	C1D2TR-6V8WF
6	12	C1D2TR-6V12W	C1D2TR-6V12WR	C1D2TR-6V12WF
12	8	C1D2TR-12V8W	C1D2TR-12V8WR	C1D2TR-12V8WF
12	12	C1D2TR-12V12W	C1D2TR-12V12WR	C1D2TR-12V12WF

(1) Halogen lamps standard.

(2) NEC requires 1 1/2 hours of emergency lighting.

Dimensions



Hubbell Lighting, Inc.

Applications

Provides reliable illumination for egress areas in environments where flammable gases or vapors may become present under abnormal, unusual or accidental conditions. Withstands conditions of moisture, dirt, dust or corrosion that would limit the life of ordinary emergency lighting systems.

Construction

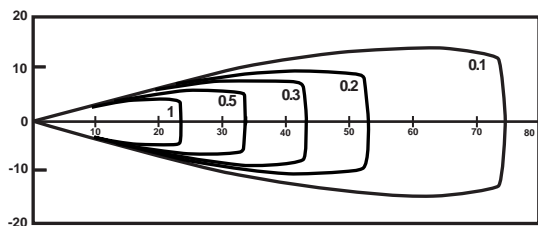
Housing and Cover: Non-metallic polymeric
Lamp Housing: Non-metallic polymeric
Finish Color: Black

Illumination

Lamp Type: PAR 36 sealed beam, halogen
Lamp Voltage: 6- or 12-volt, depending on model
Lamp Wattage: 8W standard, 12W optional

Photometrics

6- and 12-volt, 8W halogen lamp



(typical 6V, 8W horizontal isofootcandle distribution)

Installation

Unit Wall Mounting: Mounts to vertical supporting surface. Mounting feet included.
Wiring: AC entrance through top-mounted 3/4" conduit hub. All connections made inside unit housing.

Electronics

Input: 120, 220, 240, 277VAC, 60Hz (standard)
Built in-Protection: Transformer isolation and low battery voltage disconnect
Charger: Fully automatic, temperature-compensated
Transfer: Solid-state, with (defeatable) 15-minute time delay circuit on retransfer to utility supply
Distribution: Terminal block
Battery Recharge Cycle: Per UL time standard
Test Means: Test switch
Indicators: LED "AC-ON"

Battery

Type: Maintenance-free lead-acid

Power Consumption

Maximum: 25 watts (all models)

Thermal Performance

Maximum Ambient Temp.	Temperature Code
40°C	T5 (100°C)

Compliances

UL 924, UL 844, NFPA-71 and NFPA-101

Warranty

Unit and Electronics: 3 years full
Battery: 3 years full, 3 years pro-rata (6 years total)

Suggested Specifications

Emergency lighting shall be provided by Dual-Lite Industrial Products Series hazardous location unit, model _____, listed for operation in NEC Class I, Division 2, Groups B, C and D and Class I, Zone 2, Group IIB + H₂ environments. The unit shall also be listed to the requirements for NEMA Type 3R enclosures. It shall be designed to provide a minimum of 2 hours of emergency lighting upon failure or interruption of the normal power supply. The enclosure and lighting heads shall be constructed of non-metallic polymeric material, incorporating corrosion-resistant stainless steel hardware. The cover shall be gasketed, and secured with four stainless steel screws. Emergency power source batteries shall be maintenance-free, sealed lead-acid, rated (6V) (12V). Electronics shall be of solid-state design and include a low voltage battery disconnect circuit. A time delay circuit shall hold the unit in emergency condition for 15 minutes following restoration of normal power, allowing utility voltage to stabilize and HID-type lighting to reach full illumination (if applicable). The time delay feature can be deleted from the transfer circuit. A universal transformer shall allow operation from 120, 220, 240 or 277VAC. A test switch to check emergency transfer operation and an LED "AC-ON" indicator shall be included. Emergency illumination will be provided by PAR 36 sealed beam (8W) (12W) halogen lamps. Optional remote lighting fixtures, model number(s) _____, shall be provided (if applicable).