



LE Series

RECESSED MOUNTING EDGE-LIT LED EXIT SIGN

DATE:	LOCATION:
TYPE:	PROJECT:
CATALOG #:	

FEATURES

- Easy to install
- Extruded aluminum construction
- Available in six color finishes: white, black, satin aluminum, satin brass, chrome, and dark bronze
- Long-life LED lamps
- Molded acrylic plaque
- Clear acrylic plaque standard
- Ceiling, wall or end mounted models for recessed installations
- Red or green letter models
- Universal rough-in box
- 120/277 VAC, 60 Hz. operation
- AC On Indicator Light



Ceiling Mount



SPECIFICATIONS

APPLICATION

- The LE Series provides bright, even letter illumination in an energy-saving LED edge-lit exit sign configuration
- AC or Emergency operation with optional Spectron® self-test/self-diagnostic circuitry.
- Special Wording ("SW") option allows customizing the stencil field to convey important information

CONSTRUCTION

- Water-clear injection-molded acrylic EXIT plaque is available with clear, white or mirror backgrounds
- High strength extruded aluminum trim available in six finishes
- Exit face design in single or double face with red or green letters. Custom printed directional chevron arrows
- Standard EXIT stencil with 6" letters and 3/4" stroke. Rough-in kit: galvanized steel, .036 (20 Ga.) housing, .060 (16 Ga.) mounting bars

INSTALLATION

- Universal rough-in box accommodates recessed installation of all models in wall, ceiling or end-mount applications
- All mounting hardware is fully concealed

ILLUMINATION

- Exit face illumination is provided by energy saving, long life red or green LEDs
- Exceeds UL 924 requirements for brightness and uniformity
- 10 year LED life

COMPLIANCES

- UL 924 Listed
- NFPA 70
- NFPA 101
- CEC T20 Compliant

WARRANTY

- 5 year warranty

KEY DATA	
Power Factor, Average	.8 (lagging)
Wattage Range	2.2-5.0
Battery Type	Sealed Nickel Cadmium
Reported Life (Hours)	60,000
Input Current Range	120/277VAC, 60 Hz



LE Series

RECESSED MOUNTING EDGE-LIT LED EXIT SIGN

DATE: _____ LOCATION: _____

TYPE: _____ PROJECT: _____

CATALOG #: _____

ORDERING GUIDE

Example: LEWDRRNE

CATALOG #

LE									
Model	Mounting	Faces	Letter Color	Directional Arrows	Finish	Operation	Self-Diagnostic	Options	
LE	Edge-lit Exit	C Ceiling Mount W Wall Mount E End Mount	S Single D Double* <small>* Not for use with wall mounted models</small>	R Red G Green	X No Arrows EXIT R Right Arrow* <EXIT> L Left Arrow* <EXIT> D Double Arrows <EXIT> C L/R Arrows** <Exit/Exit> <small>* Not for use with double face models. Use "C" L/R arrow designator ** Double face models only. Provides reversible right or left arrow indicator</small>	N Satin Aluminum W White C Chrome B Black S Satin Brass Z Dark Bronze	A AC Only E Emergency	Blank None I Spectron® self-testing/self-diagnostic electronics ¹	SW See available special wording choices on page 3 ^{9,10} 2C 2 Circuit Operation ^{2,5} 24K 220-240VAC, 60Hz. operation ⁸ XK Recessed mount exit sign less rough-in-kit ^{6,8} W White plaque background M Mirror-plaque background ⁷

Accessories (Order Separately)

- URK** Universal Rough-in Kit
- URK2C** Universal 2-circuit rough-in kit^{12,3}

- 1 For use with AC models only.
- 2 Rough-in kit may not be ordered separately on models specified with -24K option
- 3 Must be ordered in conjunction with -2C option on exit sign

To order Rough-in kit only for field installation, add "XK" option suffix to exit model number and order "URK" or "URK2C" kit separately.

Notes:

- 1 For use with emergency models only
- 2 For use with AC models only
- 4 For emergency illumination of sign from remote 6-24VDC power sources.
- 6 Allows ordering of rough-in kit separately for recessed mount (LE) models. See "Accessories"
- 7 For use with single face models only. Standard on double face models.
- 8 Rough-in kit may not be ordered separately on models specified with -24K option.
- 9 Specify special wording code from page 3 when ordering. Example: SW41
- 10 Some special wording signs not available with directional arrows

ELECTRONICS

Available with AC, emergency and Spectron® self-test/self-diagnostic electronics option. Emergency and self-diagnostic models equipped with isolation transformer and fully automatic constant current solid state charger with sealed maintenance-free nickel-cadmium battery. All emergency models with 90-minute run-time. All components mounted inside housing. Includes test switch and AC-on indicator. Transient/surge protection, low voltage disconnect and AC lock-out features included. Battery re-charge within UL time standards. Includes pre-stripped AC input pigtail leads.

POWER CONSUMPTION (120/277VAC)

Model	Single Face	Double Face
Red AC Only	2.2 watts	3.4 watts
Green AC Only	2.5 watts	4.0 watts
Red Emergency	3.3 watts	4.5 watts
Green Emergency	3.6 watts	5.0 watts

* Wattage figures include LED lamps, transformer and electronics power requirements.

Power Factor, Average: .8 (lagging)

Battery Type: Maintenance-free sealed nickel cadmium battery

AC Input: 120/277VAC, 60 Hz. (all models)

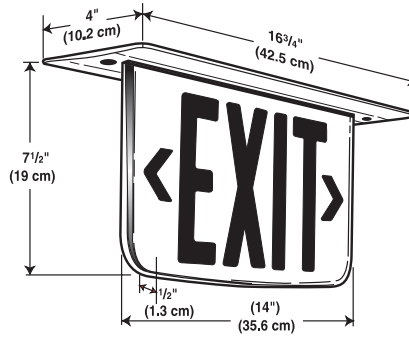
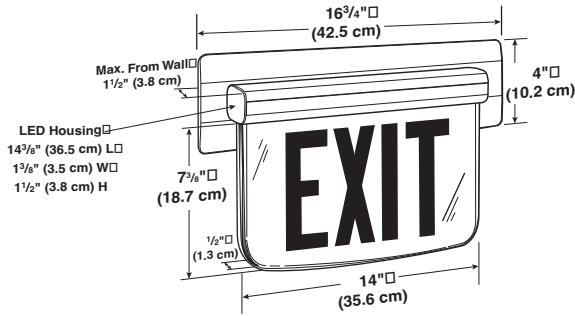
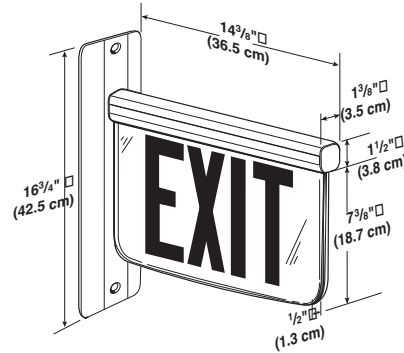
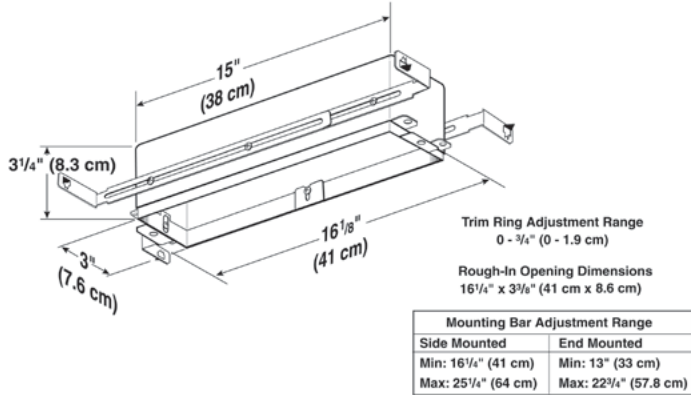
Operating Temperature Range: 20°C to 30°C (68°F to 86°F)



LE Series

RECESSED MOUNTING EDGE-LIT LED EXIT SIGN

DIMENSIONS



MOUNTING OPTIONS



Ceiling Mount



End Mount



Wall Mount



LE Series

RECESSED MOUNTING EDGE-LIT LED EXIT SIGN

SPECIAL WORDING

LE Series architectural recessed LED edge-lit exit signs feature an option for standard or custom special-wording. The images below represent standard special-worded signs available for the LE Series. The artwork and silk-screening for the standard signs shown below were previously developed therefore pricing for these special-worded signs do not incur a setup charge.

If your special-worded requirements do not appear on this page, please contact the factory to request your custom special-wording sign. Custom special wording signs incur a one time set-up charge for each development.

STANDARD SPECIAL WORDING SIGNS WITH DIRECTIONAL ARROWS



SW118



SW41 (Arabic/Exit)



SW13



SW10



SW69



SW11

STANDARD SPECIAL WORDING SIGNS WITHOUT DIRECTIONAL ARROWS



SW4



SW3



SW31



SW2

STANDARD SPECIAL WORDING SIGNS

Category	Special Wording Number	Description
EXIT	SW 2	NOT AN EXIT
	SW 142	EXIT (TEXT IS INVERTED)
	SW 144	EXIT (W/ WHEELCHAIR SYMBOL)
DO NOT ENTER	SW 3	IN USE
EVACUATION	SW 10	AREA OF REFUGE
	SW 11	AREA OF REFUGE WITH WHEELCHAIR SYMBOL
	SW 13	AREA OF RESCUE ASSISTANCE WITH WHEELCHAIR SYMBOL
	SW 48	STAIRS
	SW 117	TO AREA/OF REFUGE
	SW 149	AREA OF RESCUE
LABORATORY	SW 4	X-RAY IN USE
	SW 21	BEAM ON
	SW 28	MRI IN USE
	SW 31	LASER IN USE
	SW 62	RADIATION IN USE
	SW 57	CT IN USE
	SW 166	TESTING IN PROGRESS
RESTROOM/FACILITIES	SW 30	ROOM IN USE
	SW 118	HANDICAPPED (SYMBOL ONLY)
	SW 167	RESTROOM OCCUPIED
	SW 168	ELEVATOR
	SW 169	MEN (NO ARROWS/CHEVRONS)
INTERNATIONAL EXITS	SW 41	ARABIC/ EXIT
	SW 69	SALIDA
	SW 165	SALIDA (INVERTED TEXT)
AREA/ALERTS	SW 9	ON AIR
	SW 178	EMERGENCY CALL STATION

NOTE: Special worded signs do not meet letter size requirements of UL 924.



Special Wording Option