

NOTE: Components shown in images are representative only and may vary based on the configuration ordered.

IMPORTANT SAFEGUARDS

When using electrical equipment, basic safety precautions should always be followed including the following:

- **READ AND FOLLOW ALL SAFETY INSTRUCTIONS.**

- Do not use outdoors (this item may be omitted if the product is suitable for outdoor use).
- Do not mount near gas or electric heaters.
- Equipment should be mounted in locations and at heights where it will not readily be subjected to tampering by unauthorized personnel.
- The use of accessory equipment not recommended by the manufacturer may cause an unsafe condition.
- Do not use this equipment for other than intended use.

WARNINGS:

- This product contains chemicals known to the state of California to cause cancer, birth defects and/or other reproductive harm. Thoroughly wash hands after installing, handling, cleaning, or otherwise touching this product.
- Contact Current for information and direction before relamping or replacing this light fixture.
- Disconnect power before installing or servicing. Observe all precautions usually followed when dealing with high voltage equipment when installing or servicing this light fixture.
- The product must be installed in accordance with the applicable installation code by a person familiar with the construction and operation of the product and the hazards involved.
- Protect all wiring connections with approved insulators rated 600V / 90°C (by others).
- Selected fixture voltage must match supply line voltage.

SAVE THESE INSTRUCTIONS FOR FUTURE REFERENCE

Upon receipt of this fixture, thoroughly inspect it for any damage. If any is found, the carrier should be notified and held accountable.

CONTENTS:

1. [Labeling & Markings](#)
2. [T-Grid installation Diagram](#)
3. [Installation Method 1: Recessed Mounting](#)
 - a. [Wiring Connection](#)
4. [Installation Method 2: Luminaire Fitting](#)
 - a. [Wiring Connection](#)
5. [Installation Method 3: Cable Mount — Non-Power Feed Suspension Kit](#)
6. [Installation Method 4: Cable Mount — Power Feed Suspension Kit](#)
7. [NX Lighting Controls](#)
8. [Battery Backup Option \(ELL14\)](#)
9. [Battery Backup Self-Test Option \(ELL14ST\)](#)

LABELING & MARKINGS

(Actual labeling position may vary)

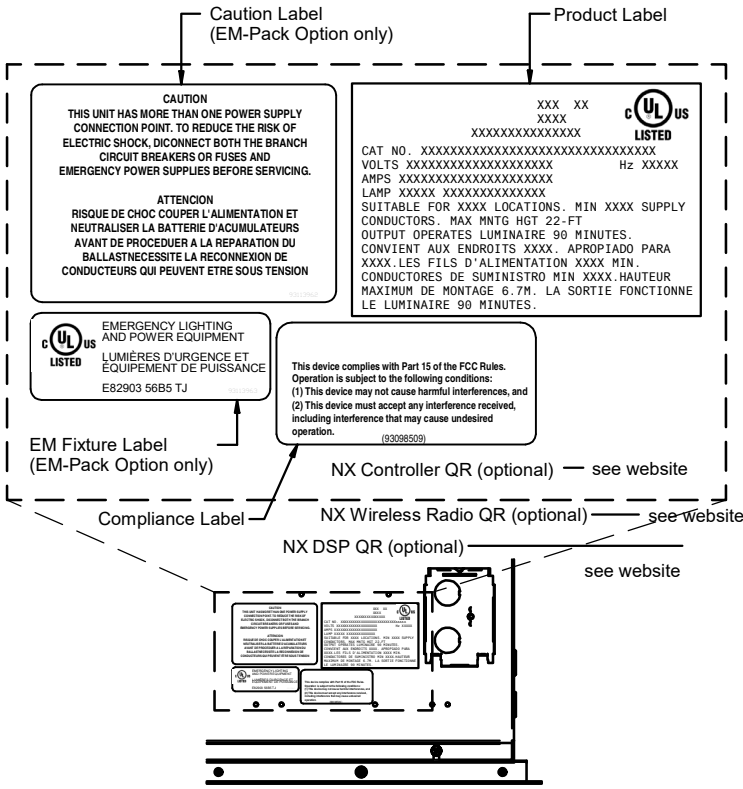


Figure 1A
Labeling detail

T-GRID INSTALLATION DIAGRAM

(Actual grid installation conditions may vary)

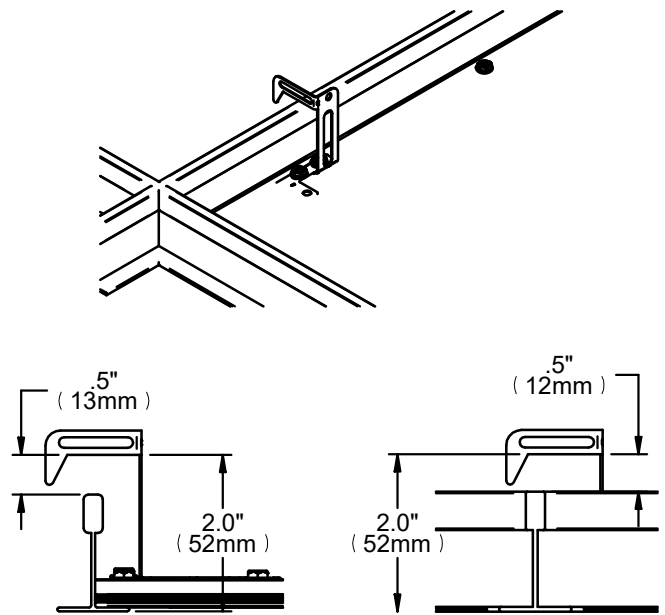
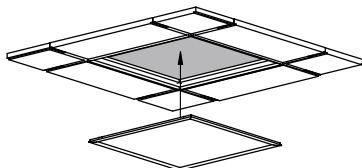


Figure 1B
T-Grid Install

INSTALLATION METHOD 1: RECESSED MOUNTING

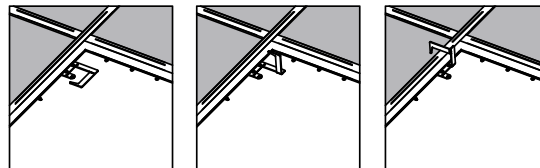
STEP 1

Raise unit into ceiling. Cross tees may need to be trimmed when fixtures are installed in certain applications. For instance when installing a 2x4 recessed troffer into a 2x2 ceiling grid the cross tees would need to be trimmed or a zero clearance cross tee utilized.



STEP 2

Bend T-bar clips into position.



INSTALLATION METHOD 2: LUMINAIRE FITTING

*Finished installation depth is 2.5" from the ceiling surface.

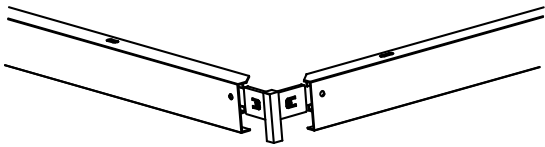
NOTE: The maximum load for SRPSMK-14 is 9.92 lbs.

The maximum load for SRPSMK-22 is 10.14 lbs.

The maximum load for SRPSMK-24 is 14.99 lbs.

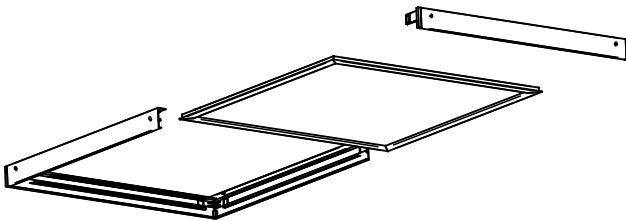
STEP 1

Snap corner bracket to extruded rails, making sure that mounting flanges are on opposite sides.



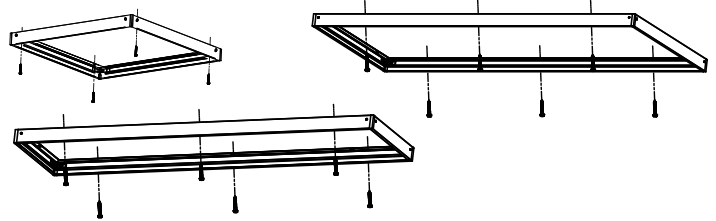
STEP 3

Remove one non-mounting frame side and slide in flat-panel. Make all electrical connections using appropriate fittings.



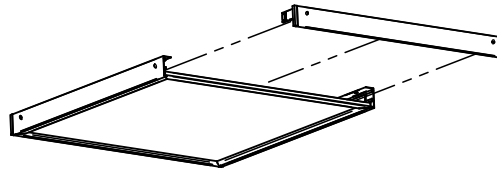
STEP 2

Attach frame to ceiling structure.



STEP 4

Reinstall frame side to complete.

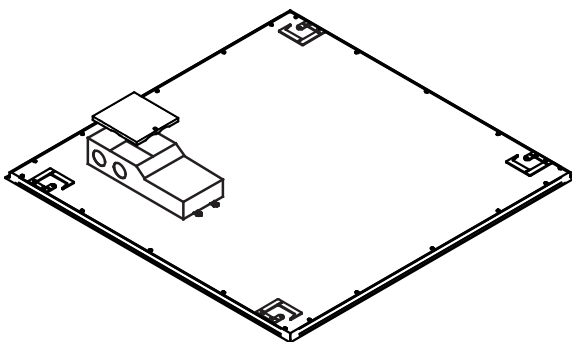


WIRING CONNECTION

*Wiring connection of both installation methods above are the same.

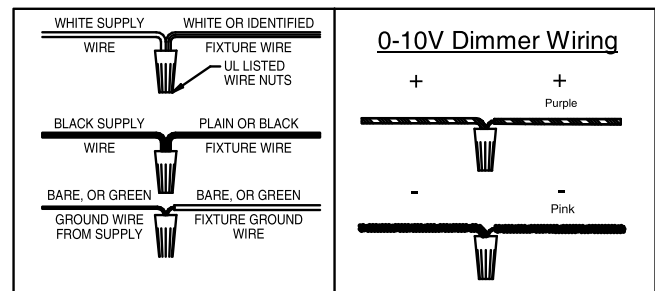
STEP 1

Open access plate. Use knockouts to connect power access using appropriately-sized electrical fittings.



STEP 2

Make wiring connections.



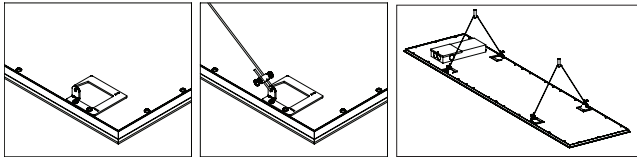
INSTALLATION METHOD 3: CABLE MOUNT – NON-POWER FEED SUSPENSION KIT

CAUTION

- All connections and assembled components need to be tightened and securely fastened. Do not remove die cast end from cable. Crimps are factory pressed onto cable for maximum strength. Hubbell will not be responsible for damage or injuries which occur due to the cable/crimp alterations.
- This product must be installed in accordance with the applicable installation code by a person familiar with the construction and operation of the product and the hazards involved.

STEP 1

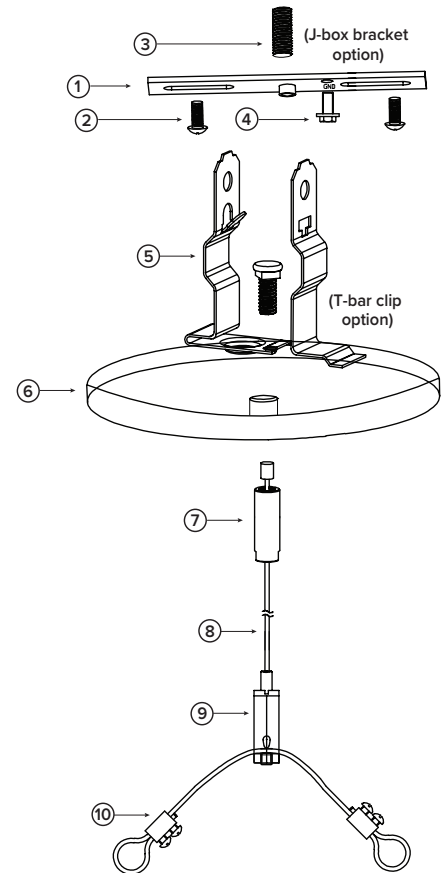
Thread one end of gripper cross cable through safety stop ⑩, then through fixture bracket hole, and back through safety stop to complete loop as shown in picture. Secure with screws. Repeat on other side.



STEP 2 (CHOOSE J-BOX BRACKET OR T-BAR CLIP)

J-box bracket option: Securely install J-box bracket ① onto the junction box with the two #8-32 screws ②. Install the 1/4-20 threaded stud ③ into center hole of the bracket. Leave approx. 1/2"-3/4" exposed thread. Install the ground screw ④, which will be used later.

T-bar clip option: Place 1/4-20 stud into square opening on the bottom of T-bar clip ⑤ as pictured. Position T-bar clip on ceiling grid at required location. Secure clip to structural member by inserting support wire through 1/4" diameter hole located at the top of the clip (support wire not included).



STEP 3

Thread cable with stop ⑧ through top threaded end of barrel coupler ⑦ and pull cable until stop is seated inside coupler.

STEP 4

Place 5" canopy ⑥ over mounting stud on T-bar and hold canopy against ceiling surface. Thread barrel coupler ⑦ onto stud and secure.

STEP 5

Feed open end of cable through top plunger end of cable gripper. Gripper will engage around cable to prevent slipping. Adjust cable gripper position by pressing top plunger down. With the plunger depressed the gripper will move freely to any position.

STEP 6

Lift fixture to ceiling and thread cable completely through gripper. After the final cable gripper position is determined, trim excess cable no less than 3" beyond cable gripper outlet.

J-box bracket option

Item	Description	QTY
1	J-Box Bracket	1
2	#8-32 screws	2
3	1/4-20 Threaded Stud	1
4	Ground Screw	1
6	5" Canopy	1
7	Barrell Coupler	1
8	Cable with stop	1
9	Gripper with cross cable	1
10	Safety Stop	1

T-bar clip option

Item	Description	QTY
5	T-Bar Clip	1
6	5" Canopy	1
7	Barrell Coupler	1
8	Cable with stop	1
9	Gripper with cross cable	1
10	Safety Stop	1

INSTALLATION METHOD 4: CABLE MOUNT – POWER FEED SUSPENSION KIT

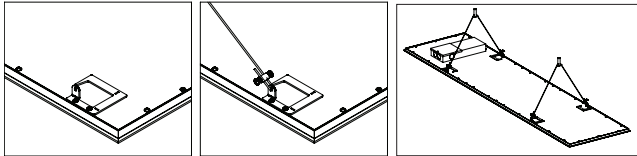
(Universal voltage only)

CAUTION

- All connections and assembled components need to be tightened and securely fastened. Do not remove die cast end from cable. Crimps are factory pressed onto cable for maximum strength. Hubbell will not be responsible for damage or injuries which occur due to the cable/crimp alterations.
- This product must be installed in accordance with the applicable installation code by a person familiar with the construction and operation of the product and the hazards involved.

STEP 1

Thread one end of gripper cross cable through safety stop (12), then through fixture bracket hole, and back through safety stop to complete loop as shown in picture. Secure with screws. Repeat on other side.



STEP 2

Securely install J-box bracket (1) onto the junction box with the two #8-32 screws (2). Install the 1/4-20 threaded stud (3) into center hole of the bracket. Leave approx. 1/2"-3/4" exposed thread. Install the ground screw (4), which will be used later.

STEP 3

Insert the cord set (10) into the junction box and make the connections per all the appropriate electrical codes. For T-bar ceilings, the junction box installation is not covered in these instructions, but code requirements must be followed.

STEP 4

Thread cable with stop (9) through top threaded end of barrel coupler (7) and pull cable until stop is seated inside coupler.

STEP 5

Feed cord set through larger canopy hole and secure canopy to 1/4-20 stud with barrel coupler. You may need to adjust the height of the 1/4-20 stud.

STEP 6

Use pliers to install strain relief bushing (6) around cord set and into canopy hole.

STEP 7

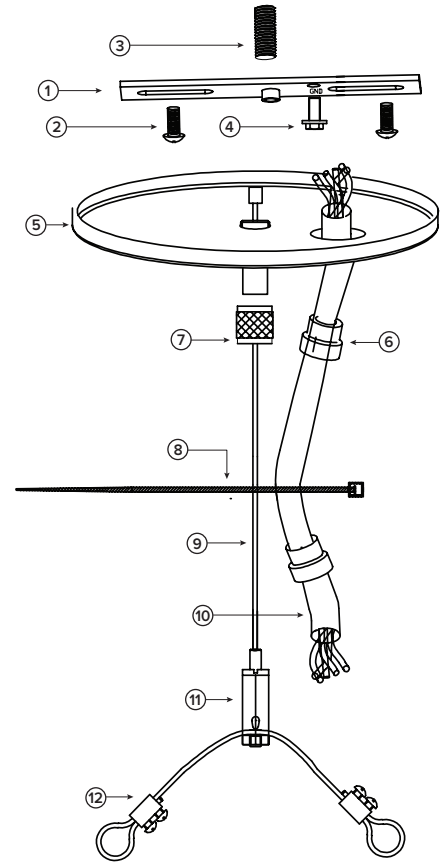
Thread cable through top plunger end of gripper. Insert cable completely through cable gripper. Gripper will engage around cable to prevent slipping. Adjust cable gripper position by pressing top plunger down, with the plunger depressed the gripper will move freely to any position.

STEP 8

Determine the final position of the fixture and the length of the cord set and cable that are required for the application. If necessary, trim the cord set length and adjust cord guide as appropriate to the fixture design. After the final cable gripper position is determined, trim excess cable no less than 3" beyond cable gripper outlet. Cord set can be secured to cable with provided cable ties (8).

STEP 9

Make electrical connections in the lighting fixture as appropriate. Be sure to follow all local and national code requirements.



J-box bracket option

Item	Description	QTY
1	J-Box Bracket	1
2	#8-32 screws	2
3	1/4-20 Threaded Stud	1
4	Ground Screw	1
5	5" Canopy	1
6	Strain Relief Bushing	2
7	Coupler	1
8	Cable tie	1
9	Cable with stop	1
10	18/5 SJT Cord set	1
11	Gripper with cross cable	1
12	Safety Stop	1

Note: Approved electrical box must be attached appropriately and by qualified person. Installation must comply with local and/or national code. Check local building codes prior to installation.

Warning: Risk of electric shock. Cable kit installation requires knowledge of lighting luminaire electric systems. If not qualified, do not attempt installation—contact qualified electrician.

Warning: Install this cable kit securely only with a lighting luminaire that has been designed or modified to accommodate the components supplied with this kit and secured to a structural member.

Notice: Turn off the electrical power to the lighting luminaire circuit during the installation process.

NX LIGHTING CONTROLS

NOTE:

1. Control devices are voltage specific.
2. Cables are used to control modules to other family devices and are orientation specific. See Figures 1–4 below.
3. SRP fixture is NOT for wet location applications.

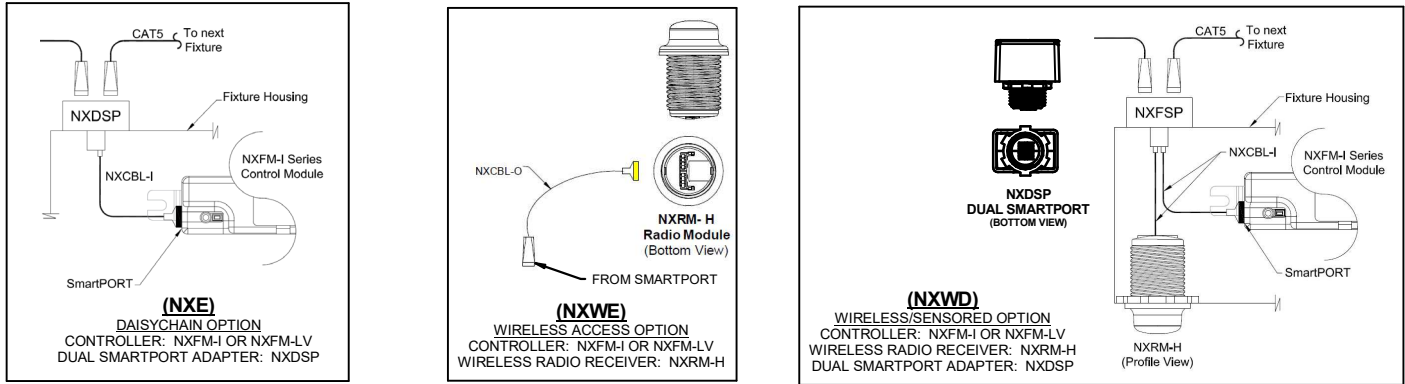


Figure 2

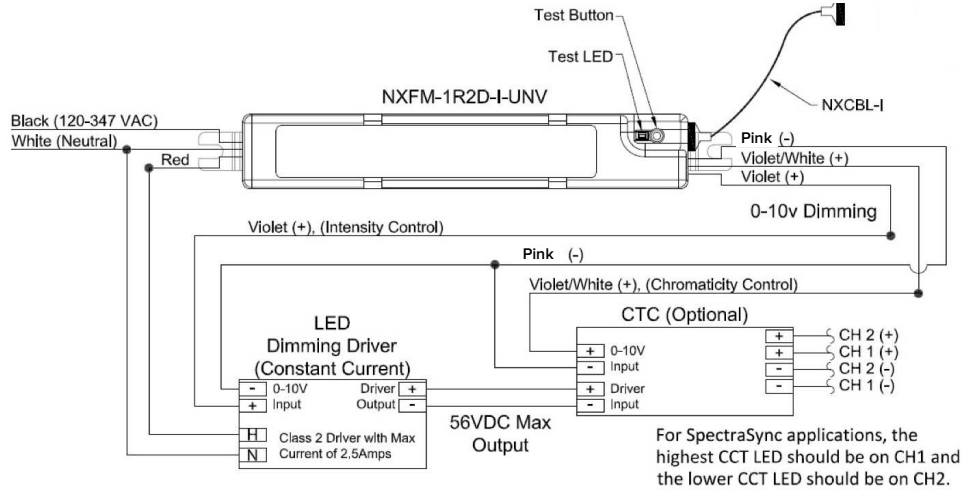


Figure 3

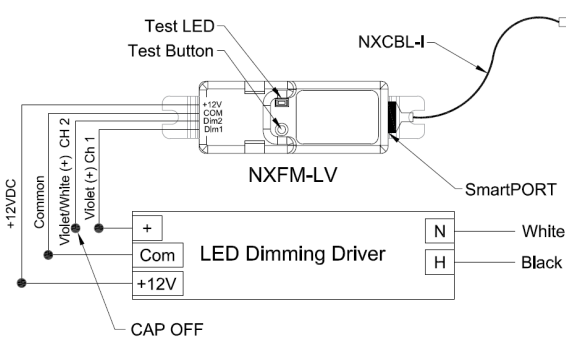


Figure 4

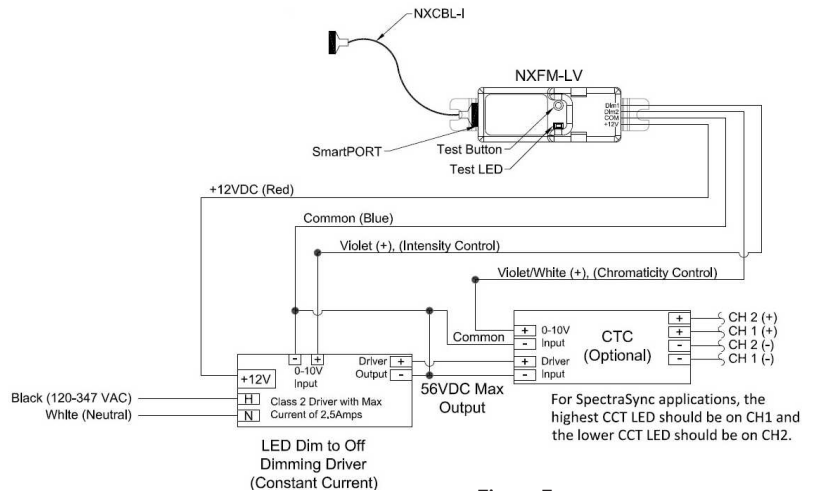


Figure 5

BATTERY BACK-UP OPTION (ELL14)

CAUTION:

1. Follow OEM instructions provided regarding all warnings and guidelines connection and operation.
2. The unit engage connector pins must be connected for the emergency driver and AC driver to operate normally.
3. Wiring diagram provided is for reference only. For labeling, refer to page 2.
4. Make sure the necessary branch circuit wiring is available. An unswitched source of power is required. The emergency driver must be fed from the same branch circuit as the AC driver.
5. To prevent high voltage from being present on yellow & yellow/black output leads prior to installation, converter connector must be open. Do not join converter connector until installation is complete and AC power is supplied to the emergency driver.

NOTE: Typical schematics only. May be used with other drivers. Consult the factory for other wiring diagrams.

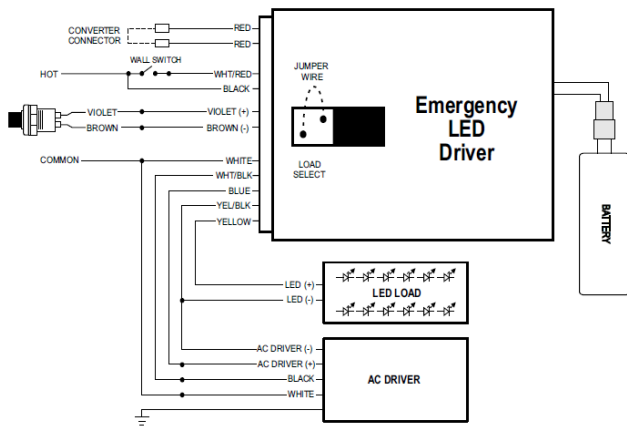


Figure 6
2-Wire Integrated Test Switch

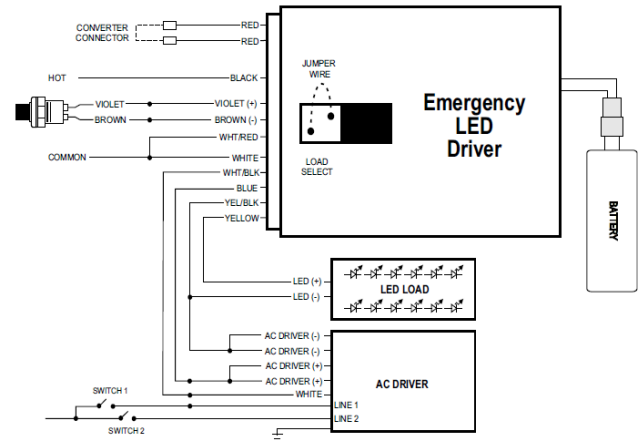


Figure 7
Step Dimming Installation

NOTE: For short-term testing of the emergency function, the battery must be charge for at least one hour. The emergency driver must be charged for at least 24 hours before conducting a long-term test.

NOTE: SRP fixtures equipped with integral ELL14 option require remote test switch via PLRTS device ordered separately.

BATTERY BACKUP SELF-TEST OPTION (ELL14ST)

CAUTION:

1. Follow OEM instructions provided regarding all warnings and guidelines connection and operation.
2. The unit engage connector pins must be connected for the emergency driver and AC driver to operate normally.
3. Wiring diagram provided is for reference only. For labeling, refer to page 2.
4. Make sure the necessary branch circuit wiring is available. An unswitched source of power is required. The emergency driver must be fed from the same branch circuit as the AC driver.
5. To prevent high voltage from being present on yellow & yellow/black output leads prior to installation, converter connector must be open. Do not join converter connector until installation is complete and AC power is supplied to the emergency driver.

NOTE: Typical schematics only. May be used with other drivers. Consult the factory for other wiring diagrams.

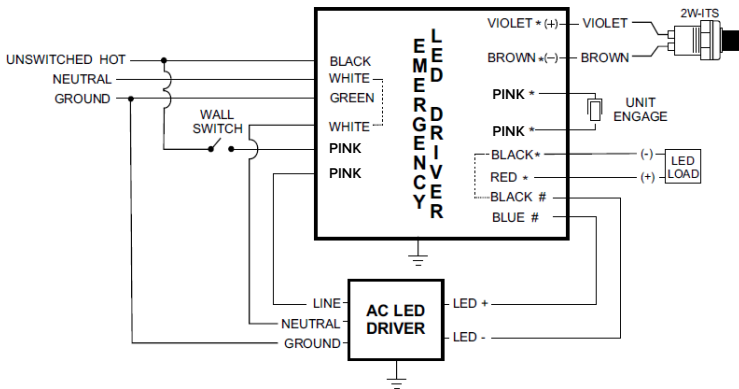


Figure 8

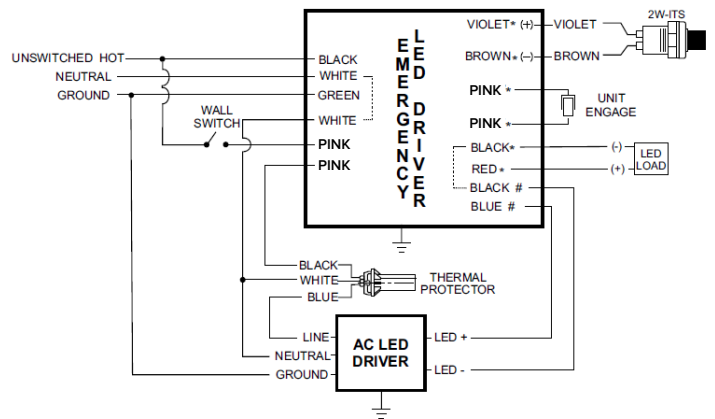


Figure 9
With Thermal Protector

NOTE: Connections with * are Class 2 rated outputs. Connections with # are Class 2 rated inputs only.

NOTE: For short-term testing of the emergency function, the battery must be charge for at least one hour. The emergency driver must be charged for at least 24 hours before conducting a long-term test.

NOTE: SRP fixtures equipped with integral ELL14ST option require remote test switch via PLRTS device ordered separately.