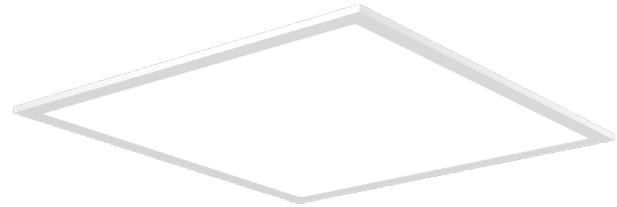


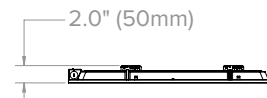
tradeSELECT®

FEATURES

- Switchable Lumen technology: 4400/3300/2750 lumens (1x4 and 2x2)
5500/4400/3300 lumens (2x4)
- Switchable CCT technology: 3500/4000/5000K
- 1x4, 2x2, and 2x4 sizes
- 0-10V 1% Dim to Off driver (standard) provides superior dimming capabilities
- IC rated
- Back-lit design and frosted lens provides smooth, even illumination across the face of the luminaire
- All CBT LSCS Generation A units are priced as single units and must be ordered as single units in even quantities, as this product is packed two fixtures per box.



SERVICE PROGRAMS



Typical Dimensions and Weights			
	CBT14 (1x4)	CBT22 (2x2)	CBT24 (2x4)
Length	11.9" / 303 mm	23.7" / 603 mm	23.7" / 603 mm
Width	47.8" / 1213 mm	23.7" / 603 mm	47.8" / 1213 mm
Height	2.0" / 50 mm	2.0" / 50 mm	2.0" / 50 mm
Weight*	4.99lbs / 2.26kg	4.92lbs / 2.23kg	9.37lbs / 4.25kg

*Base configurations; weight varies by option

SPECIFICATIONS

CONSTRUCTION

- Aluminum lens frame has a matte white finish
- Luminaire housing is die formed code-gauge steel
- Low profile design is ideal for shallow plenum applications

OPTICS

- Acrylic micro-optics over each LED provide edge to edge illumination without pixelation or bright spots
- Frosted textured lens provides smooth surface brightness

INSTALLATION

- Integral T-bar clips for secure mounting to 9/16" and 15/16" grid ceiling
- For surface mount applications use surface mount kit accessories
- For plaster or sheet rock installations, use flange kit accessories

ELECTRICAL

- 60,000 hour LEDs at L90 for reduced maintenance
- Operates at 120–277V. 1V minimum low-end trim recommended when paired with a 0-10V dimmer
- 0–10V 1% Dim to Off driver is standard. See additional info on page 6
- Switchable luminaire default settings at highest lumen output and 3500K

PACKAGING

- All CBT LSCS Generation A units are priced as single units and must be ordered as single units in even quantities, as this product is packed two fixtures per box. It should be noted in receiving documents that one box has two units and should be received as two units

CERTIFICATIONS

- All luminaires are built to UL 1598 standards and bear appropriate cULus labels
- Damp location label standard
- Adheres to LM79, LM80, and TM21 industry standards for photometrics and lifetime calculations
- DLC® (DesignLights Consortium Qualified.) Please refer to the DLC website for specific product qualifications at www.designlights.org

WARRANTY

- 5 year warranty

KEY DATA	
Lumen Range	2750 - 5700
Wattage Range	24w - 48w
Efficacy Range (LPW)	115 -123
Reported Life (Hours)	L90/60,000

DATE: _____ LOCATION: _____
 TYPE: _____ PROJECT: _____
 CATALOG #: _____

ORDERING GUIDE

Example: CBT14-A-LSCS-EDD-2PK

CATALOG #

CBT	Model	Size	Generation	Selectable	Driver	Controls	Packaging	Options
CBT Back-lit Troffer	14 22 24	1x4 2x2 2x4	A Generation A	LSCS Lumen Selectable, CCT Selectable	EDD 0-10V Dim to Off ¹	Blank No Controls (Standard)	2PK 2 Pack ²	ELL14 Factory Installed CBP EMBB Kit 10 Watt

Notes:

- 1 EDD - Dim to Off Standard. See additional detail on page 6
- 2 2PK - All CBT LSCS Generation A units are priced as single units and must be ordered as single units in even quantities, as this product is packed two fixtures per box. It should be noted in receiving documents that one box has two units and should be received as two units.

STOCKED OPTIONS

Catalog No.	UPC	Description	Setting	Lumens			Watts	LPW			Weight	Carton QTY
				3500K	4000K	5000K		3500K	4000K	5000K		
<input type="checkbox"/> CBT14-A-LSCS-EDD-2PK	840141412184	1x4 Back-Lit Troffer; 4400/3300/2750 Switchable Lumens; 3500/4000/5000K Switchable CCT; 80 CRI; 0-10V 1% Dim to Off; 120-277V	LOW	2750	2850	2800	24	115	119	117	4.99lbs (2.26kg)	2
			MED	3300	3400	3350	28	118	121	120		
			HIGH	4400	4600	4500	38	116	121	118		
<input type="checkbox"/> CBT22-A-LSCS-EDD-2PK	840141412207	2x2 Back-Lit Troffer; 4400/3300/2750 Switchable Lumens; 3500/4000/5000K Switchable CCT 80 CRI; 0-10V 1% Dim to Off; 120-277V	LOW	2750	2850	2800	24	115	119	117	4.92lbs (2.23kg)	2
			MED	3300	3400	3350	28	118	121	120		
			HIGH	4400	4600	4500	38	116	121	118		
<input type="checkbox"/> CBT24-A-LSCS-EDD-2PK	840141412221	2x4 Back-Lit Troffer; 5500/4400/3300 Switchable Lumens; 3500/4000/5000K Switchable CCT 80 CRI; 0-10V 1% Dim to Dark; 120-277V	LOW	3300	3450	3400	28	118	123	121	9.37 lb (4.25 kg)	2
			MED	4400	4600	4500	38	116	121	118		
			HIGH	5500	5800	5700	48	115	121	119		

MADE TO ORDER OPTIONS

Factory Installed Battery Options

Catalog Number	UPC	Description	Carton Qty
<input type="checkbox"/> CBT14-A-LSCS-EDD-ELL14	840141430058	1x4 Back-lit LED Troffer, 4400/3300/2750lm, 3500/4000/5000K, Dim to Off, Factory Installed 10W EM Battery	1
<input type="checkbox"/> CBT22-A-LSCS-EDD-ELL14	840141430065	2x2 Back-lit LED Troffer, 4400/3300/2750lm, 3500/4000/5000K, Dim to Off, Factory Installed 10W EM Battery	1
<input type="checkbox"/> CBT24-A-LSCS-EDD-ELL14	840141430072	2x4 Back-lit LED Troffer, 5500/4400/3300lm, 3500/4000/5000K, Dim to Off, Factory Installed 10W EM Battery	1

Can be ordered in single unit (odd number) quantities as this is a factory installed option
 ELL14 option uses Dual-Lite PLD10 (10 watt) Emergency Battery. To determine lumen output in emergency mode, multiply 10w by the fixture lumens per watt (LPW). EX: 10w x 123LPW = 1230 Lumens in Emergency Mode
 CBP Gen A fixtures with ELL14 option require a remote mounted test switch, we recommend Dual-Lite PLRTS

ORDERING GUIDE CONTINUED

Accessories (Order Separately)	Part #	UPC	Notes & Restrictions
Flange Kits			
<input type="checkbox"/> FK14	FK14	078531000745	1x4 Single Flange Kit
<input type="checkbox"/> FK22	FK22	078531000752	2x2 Single Flange Kit
<input type="checkbox"/> FK24	FK24	078531038991	2x4 Single Flange Kit
Surface Mount Kits - Suitable for CBT standard fixture only. Not compatible with any options or other field installable kits. Height = 2.5 Inches (see dimensions section on page 5)			
<input type="checkbox"/> PSMK14 1x4 Surface Mount Kit	93302543	662055127905	1x4 Flat Panel Surface Mount Kit.
<input type="checkbox"/> PSMK22 2x2 Surface Mount Kit	93302544	662055127912	2x2 Flat Panel Surface Mount Kit.
<input type="checkbox"/> PSMK24 2x4 Surface Mount Kit	93302545	662055127929	2x4 Flat Panel Surface Mount Kit.
Emergency Battery - CBP Gen A EMBB Kits use the Dual Lite PLD10 (10 Watt) Emergency Battery. To Determine lumen output in emergency mode, multiply 10w by the fixture lumens per watt (LPW). Ex: 10w x 123 LPW = ~1230 lumens in emergency mode. CBP GEN A fixtures with ELL14 option require a remote mounted test switch, we recommend the Dual Lite PLRTS			
<input type="checkbox"/> CBP14A EMBB Kit	93308995	662055313940	1x4 CBP Gen A EMBB Field Installable Kit
<input type="checkbox"/> CBP2224A EMBB Kit	93308998	662055313971	2x2 & 2x4 CBP Gen A EMBB Field Installable Kit
347V			
<input type="checkbox"/> CBP14A 347V Kit	93308996	662055313957	1x4 CBP Gen A 347V Field Installable Kit
<input type="checkbox"/> CBP2224A 347V Kit	93308999	662055313988	2x2 & 2x4 CBP Gen A 347V Field Installable Kit
Dimming Bypass Module			
<input type="checkbox"/> CBP14A DTS Kit	93308997	662055313964	1x4 CBP Gen A DTS Field Installable Kit
<input type="checkbox"/> CBP2224A DTS Kit	93309000	662055313995	2x2 & 2x4 CBP Gen A DTS Field Installable Kit
Switch Cover			
<input type="checkbox"/> PSC Switch Cover 50PK	93167456	840141413426	CBP Gen A Selectable Driver Switch Cover

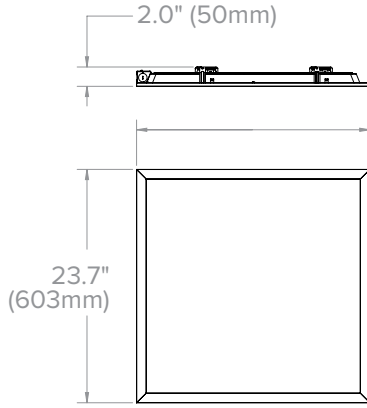
DLC LISTINGS

Size	CCT	Setting	DLC Model #	DLC Product ID #
1x4	3500K	LOW	CBT14-A-LSCS-EDD-2PK-LOW-3500K	S-H27U4G
	3500K	MED	CBT14-A-LSCS-EDD-2PK-MED-3500K	S-2ZTPXS
	3500K	HIGH	CBT14-A-LSCS-EDD-2PK-HIGH-3500K	S-V0XH25
	4000K	LOW	CBT14-A-LSCS-EDD-2PK-LOW-4000K	S-TUNA2H
	4000K	MED	CBT14-A-LSCS-EDD-2PK-MED-4000K	S-GA476K
	4000K	HIGH	CBT14-A-LSCS-EDD-2PK-HIGH-4000K	S-160G73
	5000K	LOW	CBT14-A-LSCS-EDD-2PK-LOW-5000K	S-ORLSWB
	5000K	MED	CBT14-A-LSCS-EDD-2PK-MED-5000K	S-VZMAFK
2x2	5000K	HIGH	CBT14-A-LSCS-EDD-2PK-HIGH-5000K	S-4XZSLT
	3500K	LOW	CBT22-A-LSCS-EDD-2PK-LOW-3500K	S-5AHXQ2
	3500K	MED	CBT22-A-LSCS-EDD-2PK-MED-3500K	S-FP1S0V
	3500K	HIGH	CBT22-A-LSCS-EDD-2PK-HIGH-3500K	S-TGP9ED
	4000K	LOW	CBT22-A-LSCS-EDD-2PK-LOW-4000K	S-S9UPC7
	4000K	MED	CBT22-A-LSCS-EDD-2PK-MED-4000K	S-WRBOV1
	4000K	HIGH	CBT22-A-LSCS-EDD-2PK-HIGH-4000K	S-R3J2EK
	5000K	LOW	CBT22-A-LSCS-EDD-2PK-LOW-5000K	S-8J9OT6
2x4	5000K	MED	CBT22-A-LSCS-EDD-2PK-MED-5000K	S-MOVDUI
	5000K	HIGH	CBT22-A-LSCS-EDD-2PK-HIGH-5000K	S-U72ERV
	3500K	LOW	CBT24-A-LSCS-EDD-2PK-LOW-3500K	S-VKB2IM
	3500K	MED	CBT24-A-LSCS-EDD-2PK-MED-3500K	S-IFNX6U
	3500K	HIGH	CBT24-A-LSCS-EDD-2PK-HIGH-3500K	S-9KC4SA
	4000K	LOW	CBT24-A-LSCS-EDD-2PK-LOW-4000K	S-Y15VDH
	4000K	MED	CBT24-A-LSCS-EDD-2PK-MED-4000K	S-Q3TDCU
	4000K	HIGH	CBT24-A-LSCS-EDD-2PK-HIGH-4000K	S-UT4QYD
2x4	5000K	LOW	CBT24-A-LSCS-EDD-2PK-LOW-5000K	S-HCFD15
	5000K	MED	CBT24-A-LSCS-EDD-2PK-MED-5000K	S-JRTBZ6
	5000K	HIGH	CBT24-A-LSCS-EDD-2PK-HIGH-5000K	S-7VJ18U

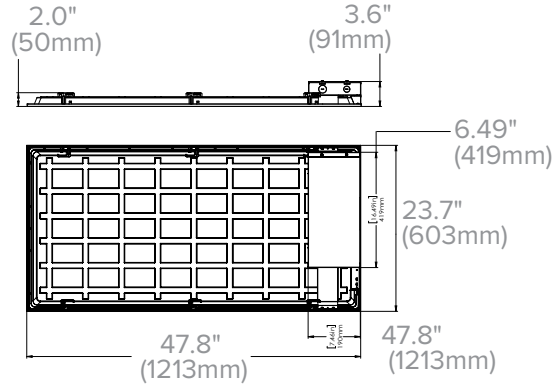
DIMENSIONS

Basic Version

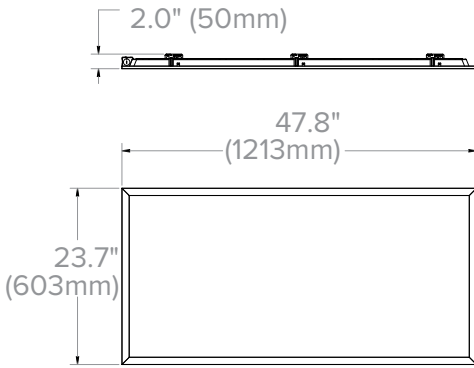
2x2 example



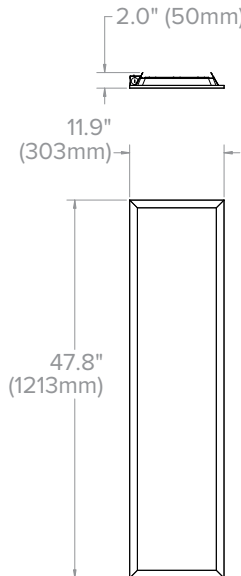
2x4 example with EMBB kit



2x4 example

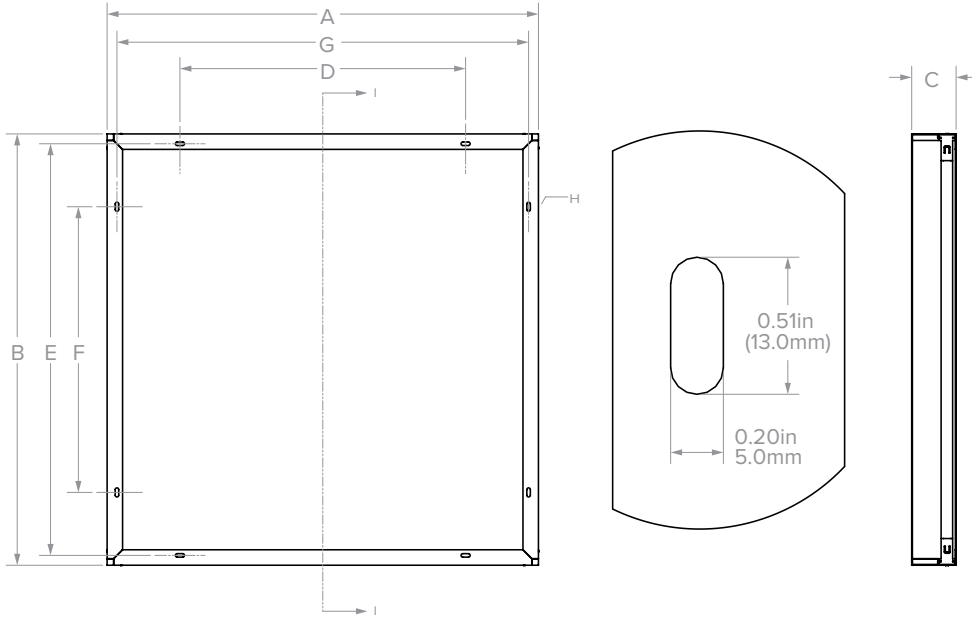


1x4 example



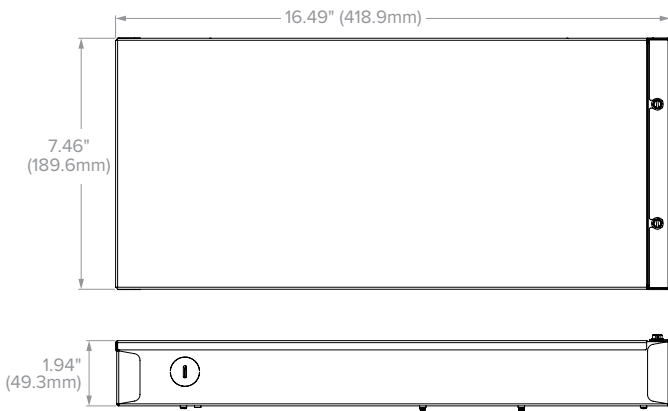
ACCESSORY DIMENSIONS

Surface Mount PSMK Dimensions - 2x2 example see below chart for all size dimensions

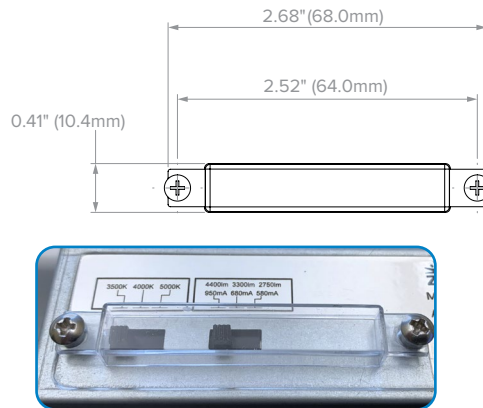


Product Code	Description	A (in)	B (in)	C (in)	D (in)	E (in)	F (in) Between Holes	G (in)
93302543	PSMK-14	12.05	48.0	2.5	1 hole	46.88	16.0 (3 holes)	10.92
93302544	PSMK-22	24.16	24.16	2.5	16.0	23.06	16.0	23.06
93302545	PSMK-24	24.16	48.0	2.5	16.0	46.88	16.0 (3 holes)	23.06

Control Box



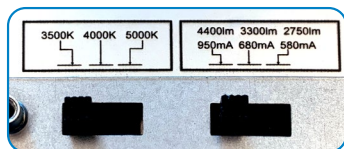
PSC Switch Cover



ADDITIONAL INFO

LSCS Switches Default Settings

Maximum Lumen Output and 3500K CCT



0-10V DIMMER COMPATIBILITY

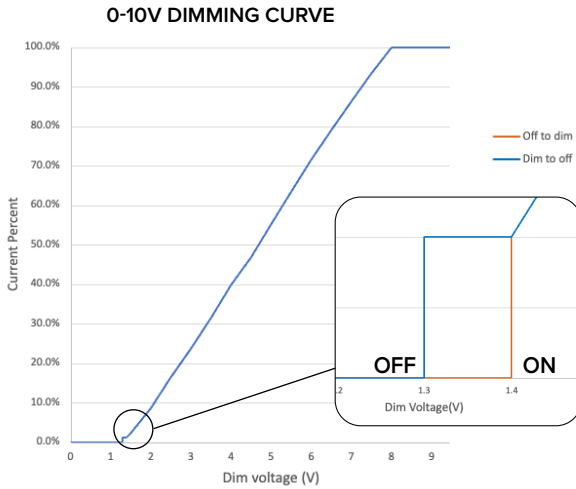
Fixture operates at 120-277V. 0-10V dimmable driver, down to 1%.

1V minimum low-end trim recommended when paired with a 0-10V dimmer.

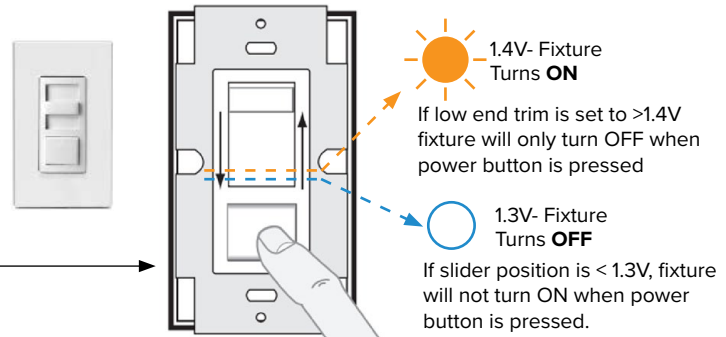
List of suitable dimmers based on laboratory testing. Compatibility must be verified by customer before install. Columbia cannot guarantee dimmer compatibility

- NX Lighting Controls RSD710
- LUTRON DVTV
- Synergy® ISD BC120/277
- NX Lighting Controls PSD710
- LUTRON NTSTV-DV
- Enerlites® 51300L
- Lutron® Diva DVST
- Eaton® DF10P-C1

ADDITIONAL DIMMING INFORMATION: DIMMING CURVE



WALLBOX DIMMER EXAMPLE



DIM TO DARK FUNCTION

Dimmer Low End Trim Settings	ON/OFF Operation		Dimmer Control Range
> 1.4V	ON/OFF Toggle power control only		Full output to Low End Trim Setting
1.3V to 1.4V	ON Adjust dimmer control above 1.4V + Set power control to ON	OFF Set power control to OFF	Full output to Low End Trim Setting
< 1.3V	ON Adjust dimmer control above 1.4V + Set power control to ON	OFF Set power control to OFF or Adjust dimmer below 1.3V level	Full output to OFF