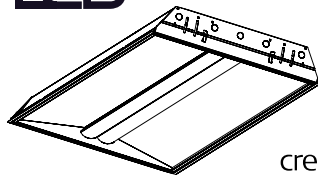


LED



wiHUBB
createchange

FEATURES

- Architecturally enhanced lens design
- Up to 95 lumens per watt
- Long-life, 60,000 hour LEDs at L80 (80% lumen maintenance) reduce life cycle maintenance costs
- Superior color consistency within a 3-step MacAdam ellipse and greater than 83 CRI
- 1x4 and 2x2 companion fixtures available
- Lens design and materials provide uniform appearance without pixilation
- Modular replaceable solid-state components
- Four LED color choices
- Four LED lumen packages
- Dimming driver down to 1% optional
- Integral emergency battery pack optional
- Most configurations produce low W/ft² to meet the most restrictive lighting power density codes
- QR code traceability
- Five year warranty
- Available with exclusive wiHUBB technology preinstalled
- DesignLightsConsortium® (DLC) qualified

PROJECT INFORMATION

Project Name _____

Type _____

Catalog No. _____

Date _____

CONSTRUCTION

Housing is constructed of heavy gauge steel, die formed for extra rigidity. Four T-bar clips integral to housing. Optical system hinges and latches from either side for easy access to LED module and electrical components. Latches are spring loaded.

FINISH

All visible parts are provided with a white powder coat finish.

SHIELDING

Lenses are high transmission frosted acrylic.

INSTALLATION

An access plate or mounting collar is furnished with luminaire for fast wiring connections without the necessity to open the fixture or wireway.

CEILING COMPATIBILITY

Designed for recessed installation in standard inverted tee grid ceilings (G), recessed installation in hard ceilings (G with FK accessory), Surface mount at ceiling plane (SM) or cable mount suspension below ceiling plane (CM). For compatibility with specific ceilings contact your Hubbell Lighting representative.

CERTIFICATION

All luminaires are built to UL1598 and 2108 standards, and bear appropriate CSA labels. Damp location labeling is standard. Emergency equipped fixtures labeled UL924. Adheres to LM79, LM80 and TM21 standards. IC rating standard except with thru-wiring. DesignLights Consortium® (DLC) qualified. Please refer to the DLC website for specific product qualifications at www.designlights.org. UL Sanitation approved.

WARRANTY

Five year warranty (Terms and Conditions apply).

ORDERING INFORMATION

EXAMPLE RLA24-35HLG-EU

RLA	24	-		-		U	-
MODEL	COLOR TEMP	LUMEN OUTPUT	CEILING TYPE	DRIVER	VOLTAGE	OPTIONS	
RLA Recessed LED Architectural Luminaire	30 3000K 35 3500K 40 4000K 50 5000K	LW Low Watt ML Medium Lumen HL High Lumen VL Very High Lumen	G Grid ¹ SM Surface Mount CM Cable Mount ²	E Fixed Output ESD Step Dimming ED 0-10V Dimming ED1 0-10V 1% Dimming LUTH Lutron H Series ⁷ LUTS Lutron S Series	U 120V-277V 347 347 (E,ED,ED1 only)	C388 3-Wire Flex C488 4-Wire Flex C588 5-Wire Flex ELL14 Emergency Battery Pack Installed, 1400 Lumens ³ GLR Fast Blow Fuse NYC NYC Compliant WIH wiHUBB Enabled ^{4,5} EOR End of Row (SM and CM only) ⁶ INT Intermediate (SM and CM only) ⁶ PAF Paint After Fabrication CP Chicago Plenum	
SIZE							
24 2' x 4'							

ACCESSORIES (ORDER SEPARATELY)

FK24	2' x 4' Flange Kit, Single Mounting (for rows add FKCR)
FKCR	Flange Kit Row Adaptor
CM 48Y2SC3F-KIT	48" Cable Mount Kit for 2' wide Cable Mount Fixtures, 3-Wire

PRODUCT AVAILABILITY

SIZE	OUTPUT	NOMINAL LUMENS	NOMINAL WATTS	EFFICACY
2' x 4'	LW	4,000-4,350	42	96-104
	ML	4,800-5,220	52	94-101
	HL	5,240-5,700	55	96-104
	VL	7,040-7,660	77	92-100

Actual lumens will vary according to color temperature and shielding. For exact lumens and watts see specific photometric test(s).

¹ For drywall order Flange Kit accessories separately.
² Order hanger accessories separately.
³ For compatibility with Dual-Lite LiteGear® inverters in lieu of installed Battery Pack, contact Hubbell Lighting Representative.
⁴ In-Fixture Module Antenna adds 2" to overall fixture height at power feed location.
⁵ Not available with Surface Mount ceiling types.
⁶ Provides ends with wiring access for continuous row mounting.
⁷ Not available with VL package
 Damp Label - standard

PHOTOMETRIC DATA

Test RLA24-340MLX-EDU Test Date 2/06/2015

LUMINAIRE DATA

Luminaire	RLA24-35ML-EDU, RLA Led, Recessed Architectural 2x4 recessed LED architectural Luminaire
Ballast	D15CC55UNVT-C
Ballast Factor	1.00
Lamp	LED
Fixture Lumens	4801
Watts	51.30
Mounting	Recessed
Shielding Angle	0° = 90 90° = 90
Spacing Criterion	0° = 1.23 90° = 1.11
Luminous Opening in Feet	Length: 3.83 Width: 1.83 Height: 0.00

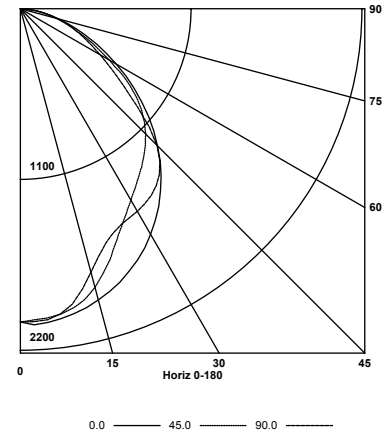
ZONAL LUMEN SUMMARY

Zone	Lumens	% Lamp	% Fixt.
0-30	1456	30.3	30.3
0-40	2343	48.8	48.8
0-60	3976	82.8	82.8
0-90	4801	100.0	100.0
0-180	4801	100.0	100.0

ENERGY DATA

Total Luminaire Efficiency	100%
Total Lumens Per Watt	94
ANSI/IESNA RP-1-2004 Compliance	Noncompliant
Comparative Yearly Lighting Energy Cost per 1000 Lumens	\$2.55 based on 3000 hrs. and \$0.08 per KWH

INDOOR CANDELA PLOT



PHOTOMETRIC DATA

Test RLA24-34VLX-EDU Test Date 2/17/2015

LUMINAIRE DATA

Luminaire	RLA24-35VLX-EDU, RLA Led, Recessed Architectural 2x4 recessed LED architectural Luminaire
Ballast	D23CC90UNVT-F
Ballast Factor	1.00
Lamp	LED
Fixture Lumens	7044
Watts	76.60
Mounting	Recessed
Shielding Angle	0° = 90 90° = 90
Spacing Criterion	0° = 1.24 90° = 1.38
Luminous Opening in Feet	Length: 3.81 Width: 1.83 Height: 0.00

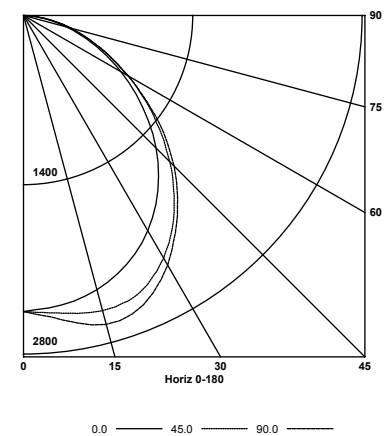
ZONAL LUMEN SUMMARY

Zone	Lumens	% Lamp	% Fixt.
0-30	2048	29.1	29.1
0-40	3360	47.7	47.7
0-60	5749	81.6	81.6
0-90	7044	100.0	100.0
0-180	7044	100.0	100.0

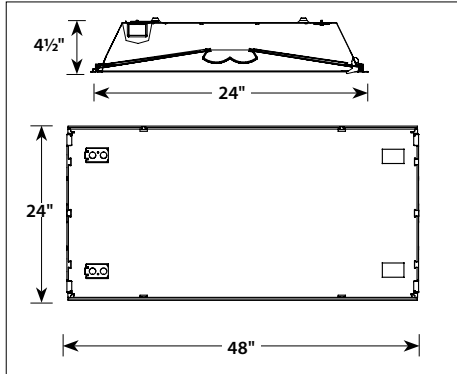
ENERGY DATA

Total Luminaire Efficiency	100%
Total Lumens Per Watt	92
ANSI/IESNA RP-1-2004 Compliance	Noncompliant
Comparative Yearly Lighting Energy Cost per 1000 Lumens	\$2.64 based on 3000 hrs. and \$0.08 per KWH

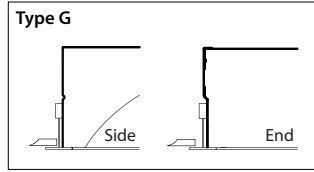
INDOOR CANDELA PLOT



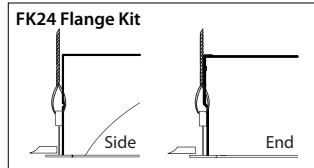
DIMENSIONAL DATA - GRID



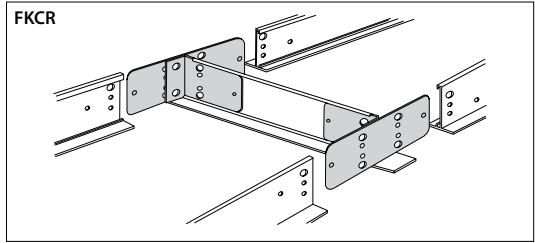
CEILING COMPATIBILITY



For lay-in installation in exposed grid ceilings. Maximum tee widths of 1" and maximum tee heights of 2" allowed.



For hard ceiling applications, order FK24 flange kit. Flange kit wires directly into concealed ceiling opening for a clean, finished appearance.

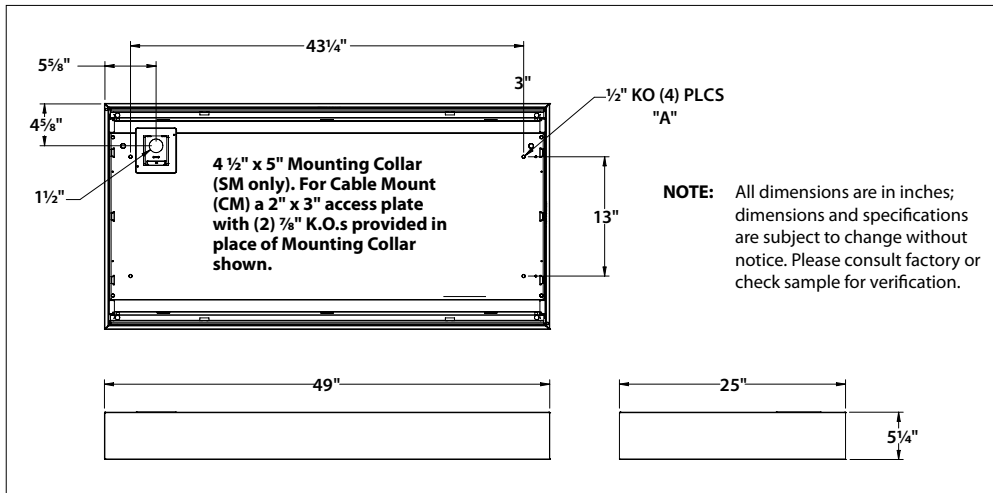


For flanged fixtures in row configurations, the FKCR adapter bracket kit is required in addition to the FK24 kit. Order one less FKCR than the total number of fixtures in row. (Example: Row of two, order (2) FK24 & (1) FKCR)

Row cut out dimensions using FK24s & FKCR adapters:
Width 24 3/8", Length [48" x (# in row)] + 3/8"
Example: (48" x 2) + 3/8" = 96 3/8"

Flange kit cut out dimension for single unit only: 24 3/8" x 48 3/8"

DIMENSIONAL DATA - SURFACE MOUNT



SURFACE MOUNT

Order SM ceiling type. Mounting collar required for surface mounting. (4) Mounting knock outs, 1/4" to 1/2" provided as shown, marked "A".

CABLE MOUNT

Order CM ceiling type. Access plate supplied for cable mounting or suspension. Use CM48Y2C3F-KIT 48" cable mount kit. Includes 3-wire feed cord. For other wiring needs, contact Hubbell representative. Mounting knock-outs, 1/4" to 1/2", provided as shown, marked "A".