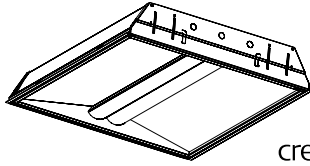


**LED**



create**change**

**PROJECT INFORMATION**

Project Name \_\_\_\_\_

Type \_\_\_\_\_

Catalog No. \_\_\_\_\_

Date \_\_\_\_\_

**FEATURES**

- Architecturally enhanced lens design
- Up to 91 lumens per watt
- Long-life, 60,000 hour LEDs at L80 (80% lumen maintenance) reduce life cycle maintenance costs
- Superior color consistency within a 3-step MacAdam ellipse and greater than 83 CRI
- 1x4 and 2x4 companion fixtures available
- Lens design and materials provide uniform appearance without pixilation
- Modular, replaceable solid-state components
- Four LED color choices
- Four LED lumen packages per size
- Dimming driver down to 1% optional
- Integral emergency battery pack optional
- Most configurations produce low W/ft<sup>2</sup> to meet the most restrictive lighting power density codes
- QR code traceability
- Five-year warranty
- Available with exclusive wiHUBB technology preinstalled
- DesignLightsConsortium® (DLC) qualified

**CONSTRUCTION**

Housing is constructed of heavy gauge steel, die formed for extra rigidity. Four T-bar clips integral to housing. Optical system hinges and latches from either side for easy access to LED module and electrical components. Latches are spring loaded.

**FINISH**

All visible parts are provided with a white powder coat finish.

**SHIELDING**

Lenses are high transmission frosted acrylic.

**INSTALLATION**

An access plate or mounting collar is furnished with luminaire for fast wiring connections without the necessity to open the fixture or wireway.

**CEILING COMPATIBILITY**

Designed for recessed installation in standard inverted tee grid ceilings (G), recessed installation in hard ceilings (G with FK accessory), Surface mount at ceiling plane (SM) or cable mount suspension below ceiling plane (CM). For compatibility with specific ceilings contact your Hubbell Lighting representative.

**CERTIFICATION**

All luminaires are built to UL1598 and 2108 standards, and bear appropriate CSA labels. Damp location labeling is standard. Emergency equipped fixtures labeled UL924. Adheres to LM79, LM80 and TM21 standards. IC rating standard except with thru-wiring. DesignLights Consortium® (DLC) qualified. Please refer to the DLC website for specific product qualifications at [www.designlights.org](http://www.designlights.org). UL Sanitation Approved.

**WARRANTY**

Five year warranty (Terms and Conditions apply).

**ORDERING INFORMATION**

**EXAMPLE RLA22-35HLG-EU**

MODEL	COLOR TEMP	LUMEN OUTPUT	CEILING TYPE	DRIVER	VOLTAGE	OPTIONS
<b>RLA</b> Recessed LED Architectural Luminaire	<b>30</b> 3000K <b>35</b> 3500K <b>40</b> 4000K <b>50</b> 5000K	<b>LW</b> Low Watt <b>ML</b> Medium Lumen <b>HL</b> High Lumen <b>VL</b> Very High Lumen	<b>G</b> Grid <sup>1</sup> <b>SM</b> Surface Mount <b>CM</b> Cable Mount <sup>2</sup>	<b>E</b> Fixed Output <b>ESD</b> Step Dimming <b>ED</b> 0-10V Dimming <b>ED1</b> 0-10V 1% Dimming <b>LUTH</b> Lutron H Series <b>LUT5</b> Lutron 5 Series	<b>U</b> 120V-277V <b>347</b> 347 (E,ED,ED1 only)	<b>C388</b> 3-Wire Flex <b>C488</b> 4-Wire Flex <b>C588</b> 5-Wire Flex <b>ELL14</b> Emergency Battery Pack Installed, 1400 Lumens <sup>3</sup> <b>GLR</b> Fast Blow Fuse <b>NYC</b> NYC Compliant <b>WIH</b> wiHUBB Enabled <sup>4,5</sup> <b>EOR</b> End of Row (SM and CM only) <sup>6</sup> <b>INT</b> Intermediate (SM and CM only) <sup>6</sup> <b>PAF</b> Paint After Fabrication <b>CP</b> Chicago Plenum
<b>SIZE</b> 22 2' x 2'						
<b>ACCESSORIES (ORDER SEPARATELY)</b>						
<b>FK22</b> 2' x 2' Flange Kit, Single Mounting (for rows add FKCR)						
<b>FKCR</b> Flange Kit Row Adaptor						
<b>CM 48Y2SC3F-KIT</b> 48" Cable Mount Kit for 2' wide Cable Mount Fixtures, 3-Wire						

PRODUCT AVAILABILITY				
SIZE	OUTPUT	NOMINAL LUMENS	NOMINAL WATTS	EFFICACY
2' x 2'	LW	2,450-2,665	27	91-99
	ML	3,200-3,480	37	86-94
	HL	3,540-3,850	41	86-94
	VL	4,380-4,765	57	77-84

Actual lumens will vary according to color temperature and shielding. For exact lumens and watts see specific photometric test(s).

<sup>1</sup> For drywall order Flange Kit accessories separately.

<sup>2</sup> Order hanger accessories separately.

<sup>3</sup> For compatibility with Dual-Lite LiteGear® inverters in lieu of installed Battery Pack, contact Hubbell Lighting Representative.

<sup>4</sup> In-Fixture Module Antenna adds 2" to overall fixture height at power feed location.

<sup>5</sup> Not available with Surface Mount ceiling types.

<sup>6</sup> Provides ends with wiring access for continuous row mounting.

Damp Label - standard

**PHOTOMETRIC DATA**

**LUMINAIRE DATA**

Luminaire	RLA22-30MLX-EDU, RLA Led, Recessed Architectural 2x2 recessed LED architectural Luminaire
Ballast	D15CC55UNVT-C
Ballast Factor	1.00
Lamp	LED
Fixture Lumens	3202
Watts	36.90
Mounting	Recessed
Shielding Angle	0° = 90 90° = 90
Spacing Criterion	0° = 1.19 90° = 1.10
Luminous Opening in Feet	Length: 1.83 Width: 1.79 Height: 0.00

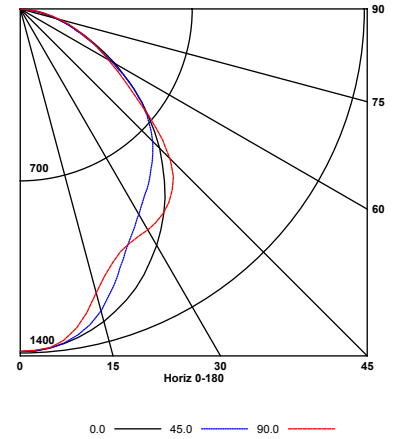
**ZONAL LUMEN SUMMARY**

Zone	Lumens	% Lamp	% Fixt.
0-30	991	30.9	30.9
0-40	1589	49.6	49.6
0-60	2673	83.5	83.5
0-90	3202	100.0	100.0
0-180	3202	100.0	100.0

**ENERGY DATA**

Total Luminaire Efficiency	100%
Total Lumens Per Watt	87
ANSI/IESNA RP-1-2004 Compliance	Noncompliant
Comparative Yearly Lighting Energy Cost per 1000 Lumens	\$2.76 based on 3000 hrs. and \$0.08 per KWH

Test 15.00213 Test Date 2/05/2015



**LUMINAIRE DATA**

Luminaire	RLA22-30VLX-EDU, RLA Led, Recessed Architectural 2x2 recessed LED architectural Luminaire
Ballast	D15CC55UNVT-C
Ballast Factor	1.00
Lamp	LED
Fixture Lumens	4382
Watts	56.90
Mounting	Recessed
Shielding Angle	0° = 90 90° = 90
Spacing Criterion	0° = 1.18 90° = 1.09
Luminous Opening in Feet	Length: 1.83 Width: 1.79 Height: 0.00

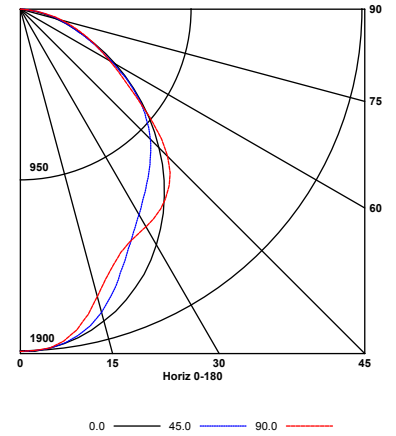
**ZONAL LUMEN SUMMARY**

Zone	Lumens	% Lamp	% Fixt.
0-30	1358	31.0	31.0
0-40	2169	49.5	49.5
0-60	3644	83.1	83.1
0-90	4382	100.0	100.0
0-180	4382	100.0	100.0

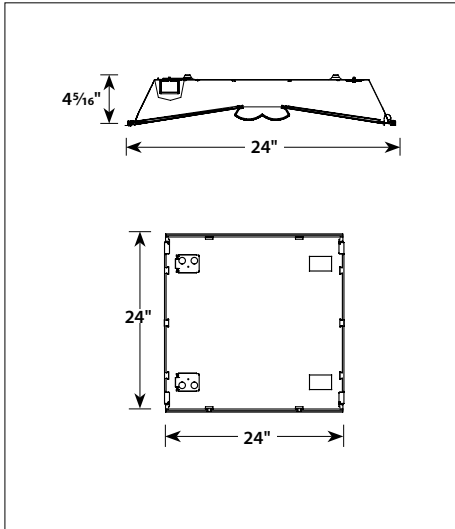
**ENERGY DATA**

Total Luminaire Efficiency	100%
Total Lumens Per Watt	77
ANSI/IESNA RP-1-2004 Compliance	Noncompliant
Comparative Yearly Lighting Energy Cost per 1000 Lumens	\$3.12 based on 3000 hrs. and \$0.08 per KWH

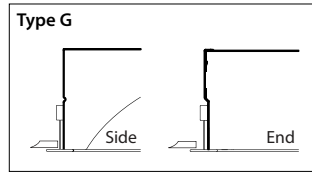
Test 15.00215 Test Date 2/05/2015



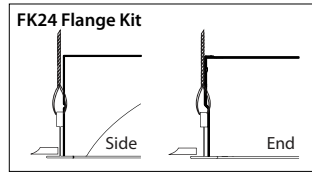
**DIMENSIONAL DATA - GRID**



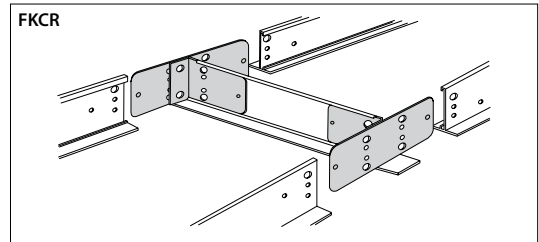
**CEILING COMPATIBILITY**



For lay-in installation in exposed grid ceilings. Maximum tee widths of 1" and maximum tee heights of 2" allowed.



For hard ceiling applications, order FK24 flange kit. Flange kit wires directly into concealed ceiling opening for a clean, finished appearance.

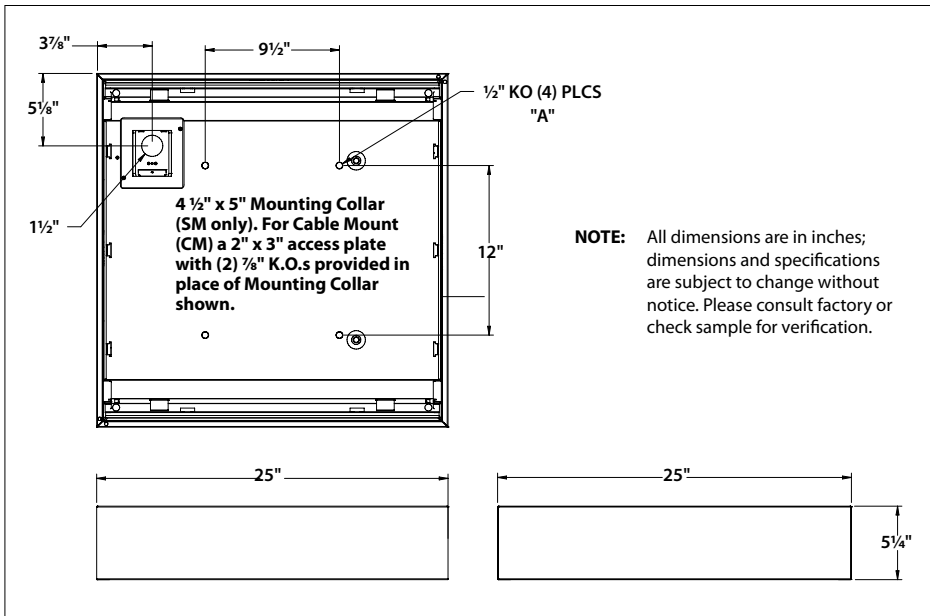


For flanged fixtures in row configurations, the FKCR adapter bracket kit is required in addition to the FK22s kit. Order one less FKCR than the total number of fixtures in row. (Example: Row of two, order (2) FK22 & (1) FKCR)

Row cut out dimensions using FK22s & FKCR adapters:  
Width 24 3/8", Length [24" x (# in row)] + 3/8"  
Example: (24" x 2) + 3/8" = 48 3/8"

**Flange kit cut out dimension for single unit only: 24 3/8" x 24 3/8"**

**DIMENSIONAL DATA - SURFACE MOUNT**



**SURFACE MOUNT**  
Order SM ceiling type. Mounting collar required for surface mounting. (4) Mounting knock outs, 1/4" to 1/2" provided as shown, marked "A".

**CABLE MOUNT**  
Order CM ceiling type. Access plate supplied for cable mounting or suspension. Use CM48Y2C3F-KIT 48" cable mount kit. Includes 3-wire feed cord. For other wiring needs, contact Hubbell representative. Mounting knock-outs, 1/4" to 1/2", provided as shown, marked "A".