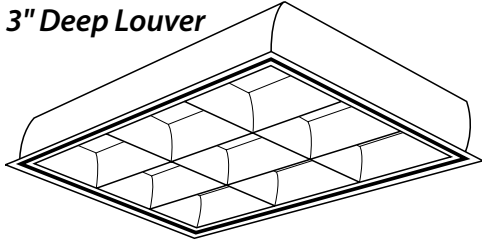


3" Deep Louver



Also available with 2 lamps and 16 cells

FEATURES

- 3" deep cell parabolic louver for optimum control
- IES standard RP-1 glare control models available
- Wide light distribution provides uniform illumination
- Black reveal with full air handling capabilities
- Anodized low iridescent aluminum louver
- Treated with a five stage phosphate bonding process and finished with a baked white enamel
- Mechanical light trap prevents light leaks

PROJECT INFORMATION

Project Name _____

Type _____

Catalog No. _____

Date _____

CONSTRUCTION

Luminaire housing and end caps are die formed code gauge cold rolled steel. Louver is formed from low iridescent anodized aluminum and is secured by die-formed spring steel hinges. Louver hinges from either side. Mechanical light trap prevents light leaks. Latches are finger-tip actuated, positive feed type and completely concealed in the black reveal.

plate is furnished with each luminaire. A plastic dust cover which eliminates construction dust and protects the lamps is provided as standard.

BALLASTS

Energy efficient, thermally protected, automatic resetting, Class P, high power factor, sound rated A, magnetic or electronic ballasts. CEE NEMA Premium compliant.

FINISH

Painted parts are treated with a five stage phosphate bonding process and finished with a high temperature baked white enamel. Louvers are low iridescent semi-specular (diffuse) natural anodized (LD) aluminum as standard.

ELECTRICAL

Standard class "P", thermally protected, autoresetting HPF ballast, sound rated A. CEE NEMA Premium compliant. All ballast leads extend a minimum of 6" through access location. NEC/CEC-compliant ballast disconnect is standard.

AIR HANDLING

All supply/return and air extract functions are shown on the specification sheet and are available as a specified option. Specify air handling requirement by including function number as part of complete catalog number. Directional control vanes and/or extract dampers must be specified. Air extract slots are located out of sight in end caps. See air removal data on specification sheet.

CEILING COMPATIBILITY

Luminaire is available to fit most standard ceiling types. NEC-compliant tee-bar clips supplied with all grid trim fixtures. See ceiling details on reverse. Contact your Columbia representative for compatibility information for specific ceiling types.

INSTALLATION

For fast wiring connections without the necessity of opening fixture or wireway, a flex connector adapter

CERTIFICATION

All luminaires are built to UL 1598 standards and bear appropriate UL and cUL or CSA labels. Damp location labeling is standard. Emergency-equipped fixtures labeled UL 924.

ORDERING INFORMATION

EXAMPLE P422-317G-LD33-S-3EU

P4	22	-	3	-	-	-	-
MODEL	NO. OF LAMPS	CEILING TYPE	NO. CELLS CROSSWISE	NO. CELLS LENGTHWISE	BALLAST	OPTIONS¹	
P4 Recessed Air Handling Parabolic	3 Three	G Grid F Overlap Flange M Modular Fit-in Trim SG Slot Grid	3 Three 4 Four	3 Three 4 Four	E Electronic T8, Instant Start 3E 3-Lamp Electronic T8, Instant Start 3EP 3-Lamp Electronic T5HO or T8, Programmed Start EPTT Electronic Twin Tube, Programmed Start (40TT) <small>For a specific ballast vendor, show as option.</small>	GLR Fast Blow Fuse GMF Slow Blow Fuse EL Emergency Battery Pack C388 3-Wire Flex C488 4-Wire Flex MS9 Master/Satellite w/9' Harness NYC NYC Compliant NYCU NYC Compliant, Union Label	
SIZE	LAMP TYPE	LOUVER FINISH	AIR FUNCTIONS		VOLTAGE		
22 2' x 2'	31U1 U-Bent, 15/16" Leg Spacing T8: 31 Watt 17 2', T8: 17 Watt 40TT Twin Tube Compact, 2G11 Base: 40 Watt	LD Low Iridescent Semi-Specular (Std.) LS Low Iridescent Specular MA Matte Anodized Low Iridescent Semi-Specular Aluminum GW Gloss White Enamel	S Static A Air Handling AV Air Handling w/Supply Vanes C Combination Supply/Extract CV Combination Supply Vanes/Extract CD Combination Supply Extract Dampers CVD Combination Supply Vanes Extract Dampers H Heat Extract HD Heat Extract w/Dampers		U 120V-277V 347 347V		

¹ EL or other options may increase fixture depth.

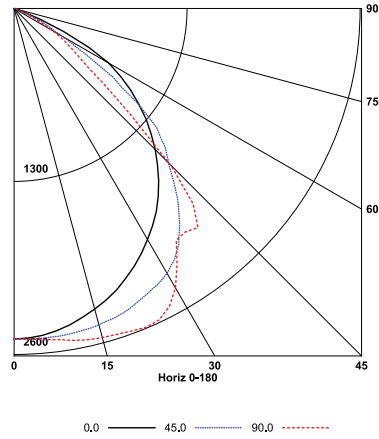
PHOTOMETRIC DATA

Test 8751B Test Date 5/6/08

LUMINAIRE DATA

Luminaire	P422-331U1G-LD33-3E-PAF P4 Parabolic 2 x 2 with 3 T8 U-Lamps, 9-Cell Semi-Specular Louver, BWE
Ballast	Triad Utrad B-3321120
Ballast Factor	0.95
Lamp	FBO31/31K
Lumens per Lamp	2800
Watts	79
Shielding Angle	0° = 0 90° = 0
Spacing Criterion	0° = 1.20 90° = 1.34

INDOOR CANDELA PLOT



ENERGY DATA

Total Luminaire Efficiency	66.9%
Luminaire Efficacy Rating (LER)	68
ANSI/IESNA RP-1-2004 Compliance	Noncompliant
Comparative Yearly Lighting Energy Cost per 1000 Lumens	\$3.53 based on 3000 hrs. and \$0.08 per KWH

AVG. LUMINANCE (Candela/Sq. M.)

	0.0	22.5	45.0	67.5	90.0
0	8531	8531	8531	8531	8531
30	7950	8403	9117	9474	9621
40	7575	8212	8602	8827	9634
45	7284	8012	7964	8333	8090
50	6922	7595	7494	5431	4672
55	6397	6781	5517	3241	3211
60	5648	5456	2955	2343	2309
65	3341	2748	1618	1219	1146
70	784	814	623	432	392
75	372	372	332	319	292
80	257	257	257	237	218
85	158	197	197	197	197

ZONAL LUMEN SUMMARY

Zone	Lumens	% Lamp	% Fixt.
0-30	2020	24.0	35.9
0-40	3317	39.5	59.0
0-60	5327	63.4	94.8
0-90	5621	66.9	100.0
0-180	5621	66.9	100.0

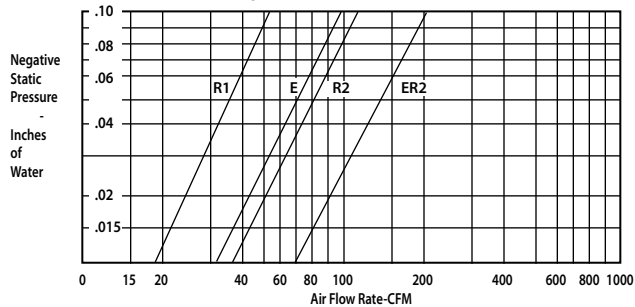
COEFFICIENTS OF UTILIZATION (%)

RCR	RC 80		RC 70				RC 50				RC 0	
	70	50	30	10	70	50	30	10	50	30	10	0
1	75	72	70	68	73	71	69	67	68	66	65	60
2	69	65	61	58	68	64	60	57	61	58	56	52
3	64	58	54	50	62	57	53	50	55	52	49	46
4	59	52	47	43	58	51	47	43	50	46	43	40
5	55	47	42	38	53	47	42	38	45	41	38	36
6	51	43	38	34	50	42	37	34	41	37	33	32
7	47	39	34	30	46	39	34	30	38	33	30	28
8	44	36	31	27	43	35	30	27	35	30	27	25
9	41	33	28	24	40	33	28	24	32	27	24	23
10	39	30	26	22	38	30	25	22	30	25	22	21

RCR = Room Cavity Ratio

RC = Effective Ceiling Cavity Reflectance RW = Wall Reflectance

EXTRACT AIR DATA Report AL-526-1.1



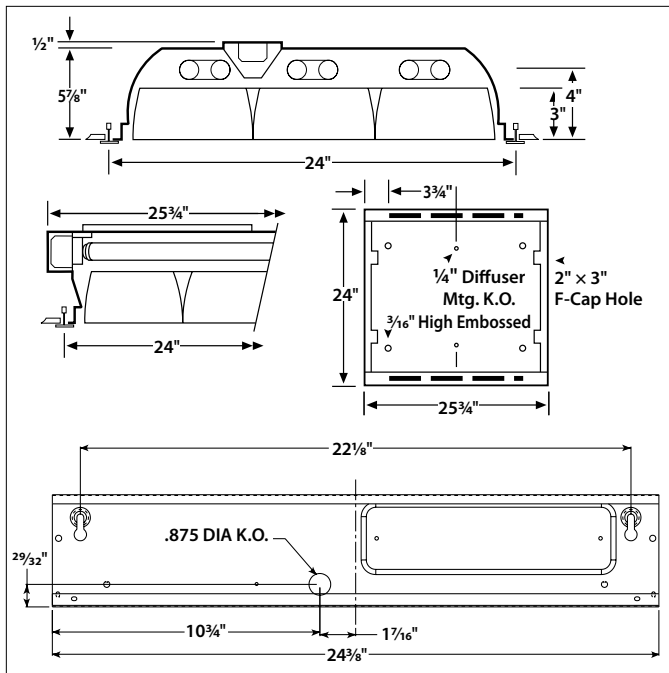
R1 - Air Return thru One Side Passage

R2 - Air Return thru Two Side Passages

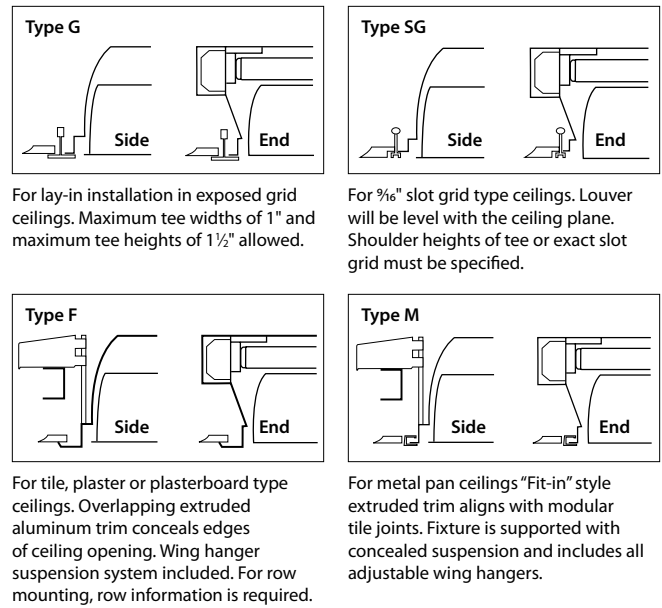
E - Heat Extract thru Lamp Compartment

ER2 - Thru Both Sides and Lamp Compartment

DIMENSIONAL DATA



CEILING COMPATIBILITY



Flange kit rough in dimensions for single unit only: 24 7/8" x 24 7/8"

NOTE: All dimensions are in inches; dimensions and specifications are subject to change without notice. Please consult factory or check sample for verification.