

DATE: _____ LOCATION: _____
 TYPE: _____ PROJECT: _____
 CATALOG #: _____

tradeSELECT®

FEATURES

- Switchable Lumen technology:
5500/4100/3400 lumens (1x4, 2x4)
4000/3300/2800 lumens (2x2)
- Switchable CCT technology: 3500/4000/5000K
- 80 CRI
- 0–10V dimming to 10%
- Recessed, surface, or cable mount
- Universal voltage (120–277V)
- IC rated
- Suitable for ISO Class 5–9 positive pressure and negative cleanrooms



SPECIFICATIONS

CONSTRUCTION

- Extruded aluminum frame has a matte white finish and smooth frame-to-lens transition

OPTICS

- Acrylic blend light guide with frosted/ textured outer lens provides edge to edge illumination without pixelation or bright spots

INSTALLATION

- Integral T-bar clips for secure mounting to grid ceiling
- For surface/cable mount applications use surface/cable mount kit accessories
- For plaster or sheet rock installations, use flange kit

ELECTRICAL

- 54,000 hour LEDs at L70 for reduced maintenance
- Switchable Lumen technology allows for easy field-adjustable lighting output with three level switch located on back of panel
- Switchable Lumen fixtures ship at the highest lumen output setting
- Operates at 120-277V input
- 0–10V dimmable driver, down to 10%

CERTIFICATIONS

- All luminaires are built to UL 1598 standards and bear appropriate cULus labels
- UL Sanitation Certified to NSF 2 Food Equipment standard for non-food zones

CERTIFICATIONS (CONTINUED)

- CSA certified to UL 924 standards with battery pack
- Damp location label standard
- Tested in accordance with ISO 14644-1; suitable for ISO Class 5–9 positive and negative pressure clean rooms
- Adheres to LM79, LM80, and TM21 industry standards for photometrics and lifetime calculations
- DLC® (DesignLights Consortium Qualified, with some Premium Qualified configurations. Please refer to the DLC website for specific product qualifications at www.designlights.org)

WARRANTY

- 5 year warranty

ORDERING GUIDE

Catalog No.	Part #	UPC	Description	Setting	Lumens			Watts			LPW		
					3500K	4000K	5000K	3500K	4000K	5000K	3500K	4000K	5000K
<input type="checkbox"/> CFP14-LSCS	93133730	840141421896	1x4 Edge-Lit Panel, 5500/4100/3400 Switchable Lumens, 3500/4000/5000K Switchable CCT	LOW	3516	3540	3478	29	119	120	118		
				MED	4204	4257	4163	36	117	119	116		
				HIGH	5617	5706	5522	50	112	113	110		
<input type="checkbox"/> CFP22-LSCS	93133732	840141421919	2x2 Edge-Lit Panel, 4000/3300/2800 Switchable Lumens, 3500/4000/5000K Switchable CCT	LOW	3174	3225	3137	24	131	133	129		
				MED	3603	3679	3562	28	128	131	127		
				HIGH	4381	4477	4291	35	124	127	122		
<input type="checkbox"/> CFP24-LSCS	93133736	840141421957	2x4 Edge-Lit Panel, 5500/4100/3400 Switchable Lumens, 3500/4000/5000K Switchable CCT	LOW	3394	3387	3279	25	134	133	129		
				MED	4291	4318	4231	33	129	130	127		
				HIGH	6011	6065	5856	49	122	123	119		
<input type="checkbox"/> CFP24-4ICS-HE	93133738	840141421971	2x4 Edge-Lit Panel, 4100 Lumens, 3500/4000/5000K Switchable CCT	—	4428	4507	4420	35	127	129	126		



10-Day Quick-SHIP options:
 Add ELL14¹ (Emergency Battery Pack Installed, 1400 Lumens) or C588 (5-wire Flex) to any stocked option.
 Examples: CFP14-LSCS-ELL14; CFP14-LSCS-C588

KEY DATA

Lumen Range	3137–6065
Wattage Range	24–49
Efficacy Range (LPW)	110–134
Reported Life (Hours)	L70/54,000

SEE FOLLOWING PAGE FOR CFP ACCESSORIES

ORDERING GUIDE

Accessories (Order Separately)	
PLD10M	Dual-Lite® Emergency LED Battery Pack, field installed ¹
PLRTS	Remote Test Switch/Charge Indicator Module (fits single-gang box)
FK14	1x4 Single Flange Kit
FK22	2x2 Single Flange Kit
FK24	2x4 Single Flange Kit
SRPSMK-14	1x4 CFP Surface Mount Kit
SRPSMK-22	2x2 CFP Surface Mount Kit
SRPSMK-24	2x4 CFP Surface Mount Kit
CFPCM36Y SC5F-KIT	36" Cable Mount Kit for 1' or 2' wide Cable Mount fixtures, 5-wire

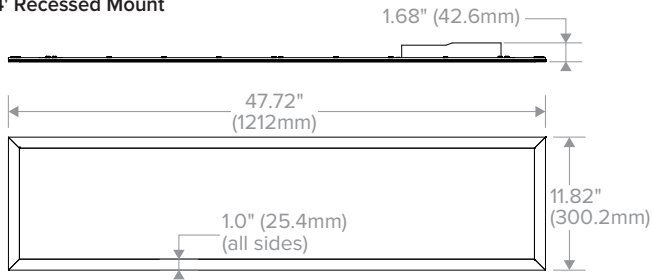
Notes:

1 Fixtures with Emergency Battery Pack require a remote-mounted test switch, we suggest the Dual-Lite PLRTS.

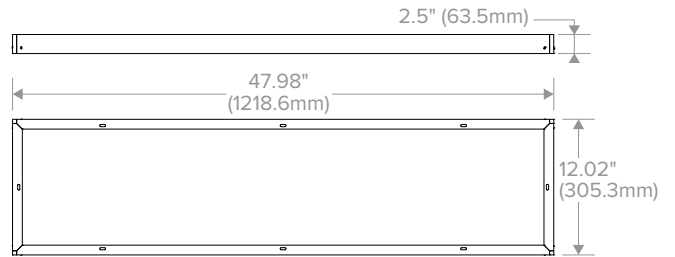
CFP-LSCS
EDGE-LIT FLAT PANEL

DIMENSIONS

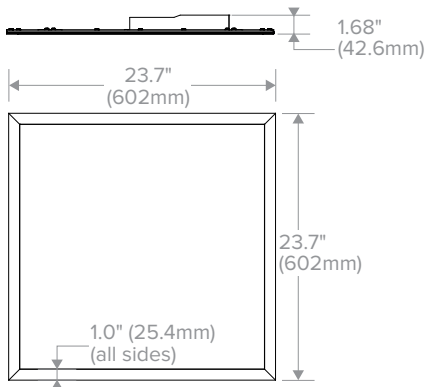
1'x4' Recessed Mount



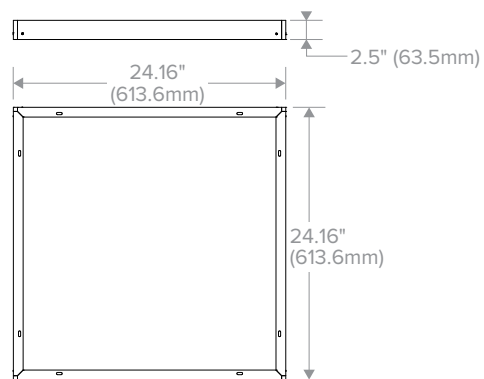
1'x4' Surface Mount



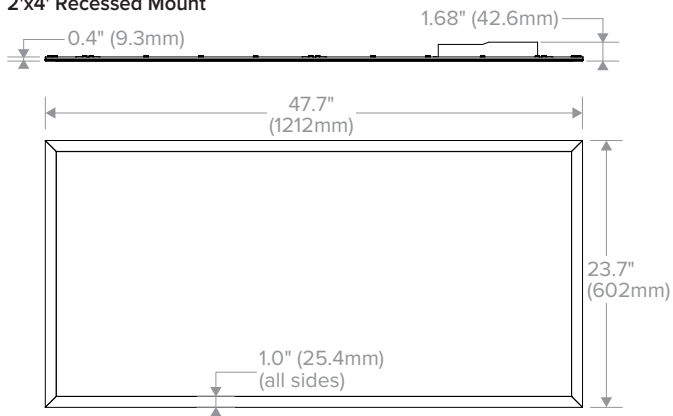
2'x2' Recessed Mount



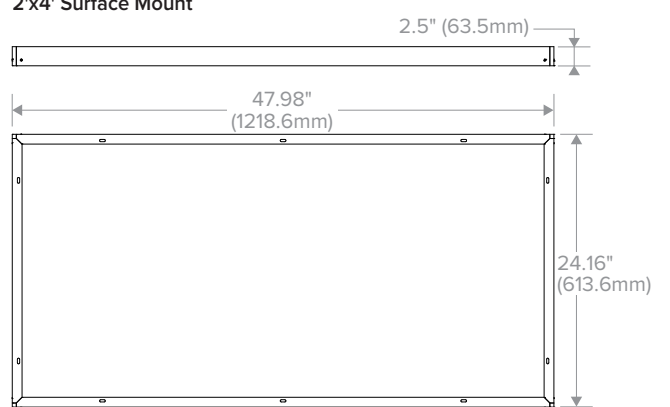
2'x2' Surface Mount



2'x4' Recessed Mount



2'x4' Surface Mount



PHOTOMETRY

CFP14-LSCS

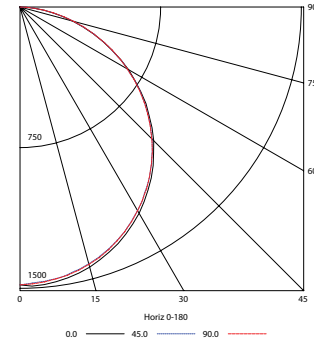
LUMINAIRE DATA

Test No.	20.01296
Description	1x4 LED Flat-Panel; Lumen Switchable, Color Switchable
Delivered Lumens	4295
Watts	35.9
Efficacy	120
Mounting	Recessed
Spacing Criterion	0° = 1.27 90° = 1.25

ZONAL LUMEN SUMMARY

Zone	Lumens	% Luminaire
0-30	1153	26.8
0-40	1891	44.0
0-60	3358	78.2
0-90	4295	100.0
0-180	4295	100.0

POLAR GRAPH



CFP22-LSCS

LUMINAIRE DATA

Test No.	20.01303
Description	2x2 LED Flat-Panel; Lumen Switchable, Color Switchable
Delivered Lumens	2851
Watts	25.1
Efficacy	114
Mounting	Recessed
Spacing Criterion	0° = 1.26 90° = 1.26

ZONAL LUMEN SUMMARY

Zone	Lumens	% Luminaire
0-30	765	26.8
0-40	1255	44.0
0-60	2230	78.2
0-90	2851	100.0
0-180	2851	100.0

POLAR GRAPH

