

**INSTRUCTION MANUAL FOR
ESCALATE™ STAIRWELL LUMINAIRE: 2', 4', 8'**

Components shown in images are representative only and may vary based on the configuration ordered.

Refer to the following sections for instructions on the desired mounting condition:

- A. Surface Mount
- B. Injection Molded ABS Endcap Installation



CAUTION! – READ THIS FIRST - IMPORTANT SAFETY INSTRUCTIONS

WARNING: THIS PRODUCT MUST BE INSTALLED IN COMPLIANCE WITH THE NATIONAL ELECTRICAL CODE AND/OR ANY LOCAL CODES BY A PERSON FAMILIAR WITH THE CONSTRUCTION AND OPERATION OF THE PRODUCT AND THE HAZARDS INVOLVED. IF YOU HAVE ANY QUESTIONS REGARDING THE PROPER INSTALLATION OR LOCAL CODES, CONSULT A QUALIFIED ELECTRICIAN.

WARNING: RISK OF FIRE, MINIMUM OF 90°C SUPPLY CONDUCTOR. CONSULT A QUALIFIED ELECTRICIAN TO ENSURE CORRECT BRANCH CIRCUIT CONDUCTOR.

WARNING: TO AVOID SHOCK HAZARD, DISCONNECT THE POWER AT THE PANEL BOARD (CIRCUIT BREAKER BOX) BEFORE BEGINNING INSTALLATION.

WARNING: INSTALL THE FIXTURE IN ONLY AN INDOOR ENVIRONMENT AND FOR THE INTENDED USE.

WARNING: INJURY TO PERSONS AND DAMAGE TO THE FIXTURE AND/OR MOUNTING SURFACE MAY RESULT IF THE FIXTURE IS PULLED FROM THE SURFACE. TO REDUCE THE LIKELIHOOD OF SUCH INJURY OR DAMAGE, MOUNT ONLY ON A SURFACE THAT IS MECHANICALLY SOUND.

PART NOMENCLATURE

Refer to Figure 1 for identification of the parts referenced in this guide.

- A.** Injection Molded ABS Endcap with sensor
- B.** Metal end cap (2)
- C.** Housing
- D.** Flat Injection Molded ABS Endcap
- E.** Reflector plate assembly
- F.** Lens

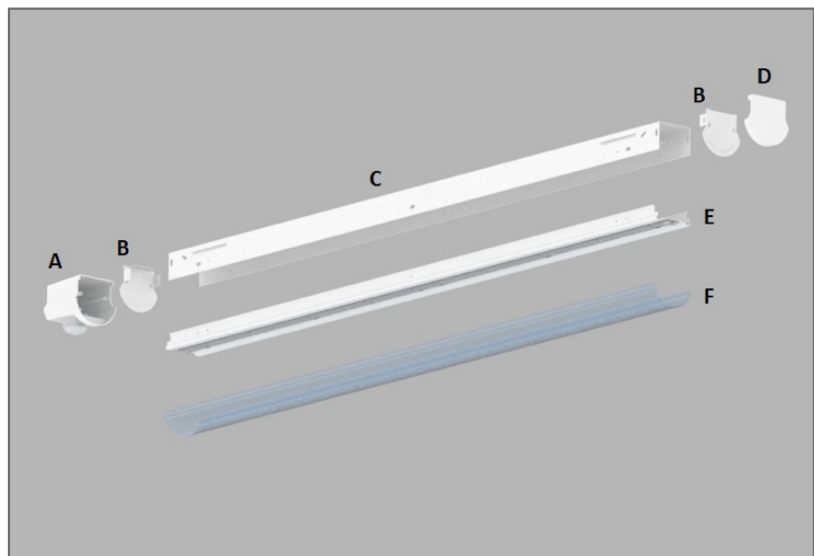


FIGURE 1

A. SURFACE MOUNTING INSTRUCTIONS

1. Separate the lens from the reflector plate by pulling the lens flange away from the housing on both sides. Pull the lens out at an angle so that it clears the endcap with the sensor. This is shown in Figure 2.

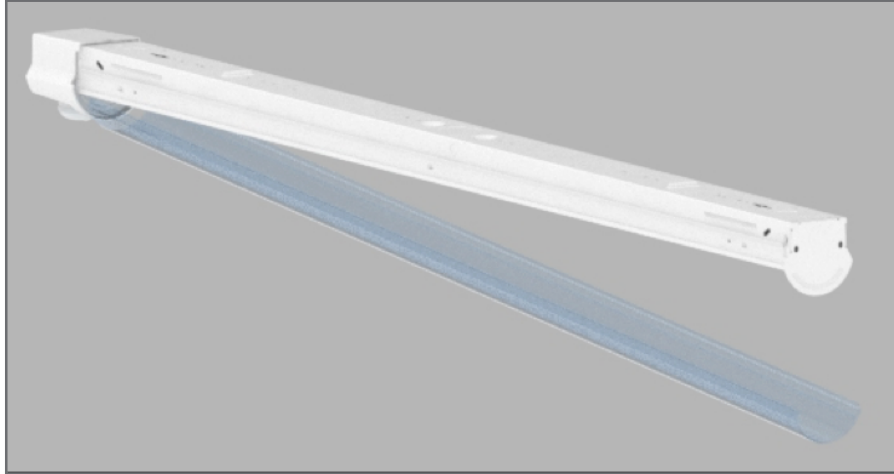


FIGURE 2

2. Starting from the side of the fixture without the sensor, squeeze the housing above each of the engagement points (circled in red in Figure 3) and separate the reflector plate from the housing, pulling at an angle to clear the sensor.

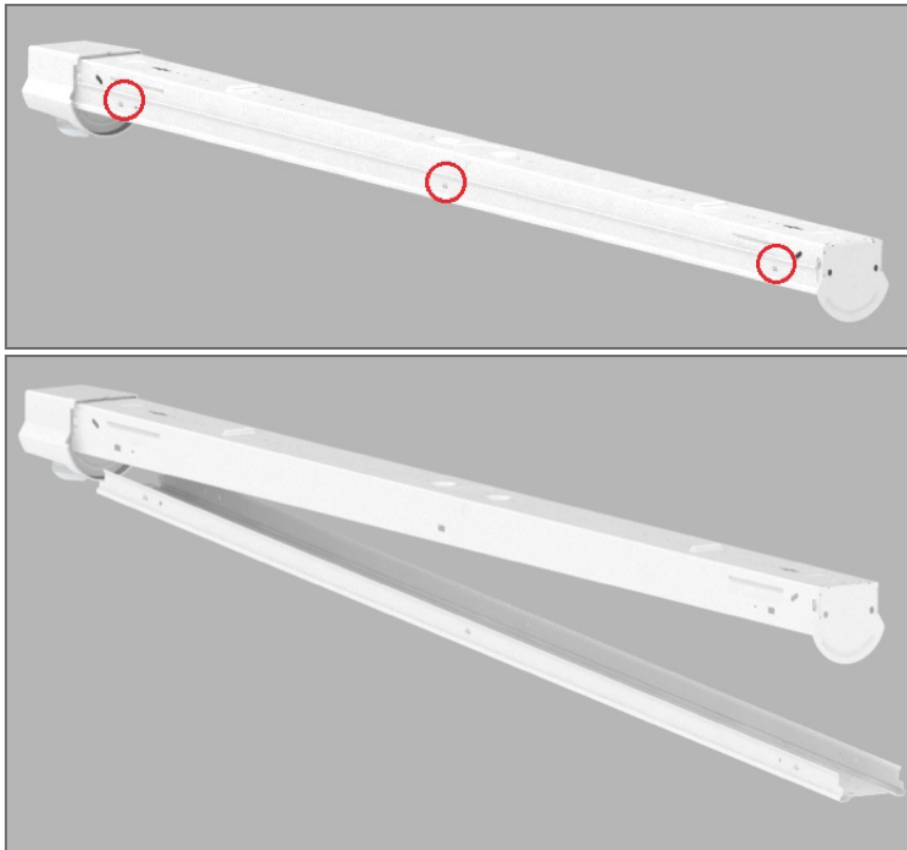


FIGURE 3

3. Select the knockout desired for input wire routing either on the housing or the end cap and remove it.
4. Position the housing to the desired mounting location on the wall or ceiling. At the designated mounting points (circled in blue in Figure 4), use appropriate fasteners (by others) to secure the housing to the mounting surface.



FIGURE 4

5. Route the input wires through the chosen knockout and make electrical connections according to Figure 5.
6. Reinsert the reflector plate and lens, replacing each at an angle to clear the sensor. If desired, screws (by others) can be inserted next to the outer engagement points to further secure the reflector plate to the housing.

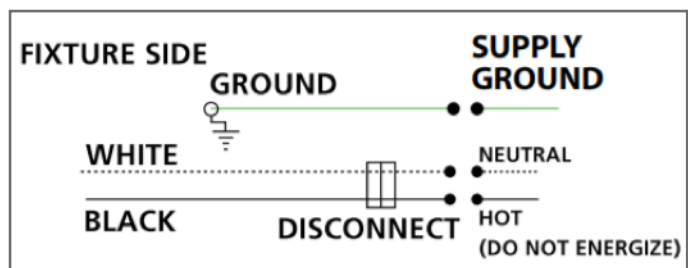


FIGURE 5

B. INJECTION MOLDED ABS ENDCAP INSTALLATION

1. Remove the two oblong knockouts (circled in Figure 6) on the metal end cap.

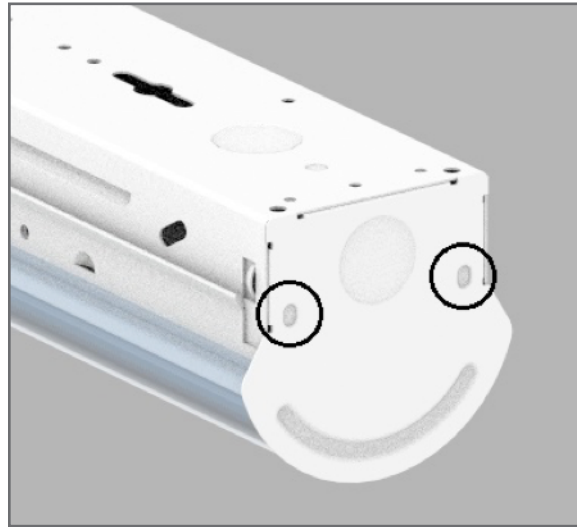


FIGURE 6

2. Snap the Flat Injection Molded ABS Endcap ("D" in Figure 2) into place over the metal end caps as shown in Figure 7.

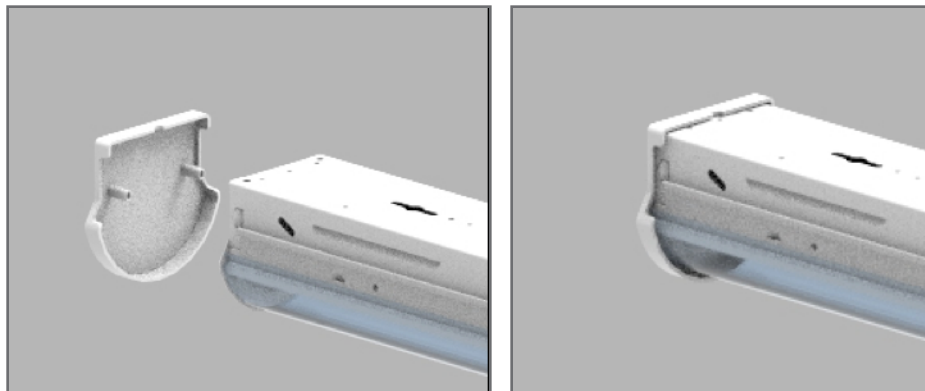


FIGURE 7