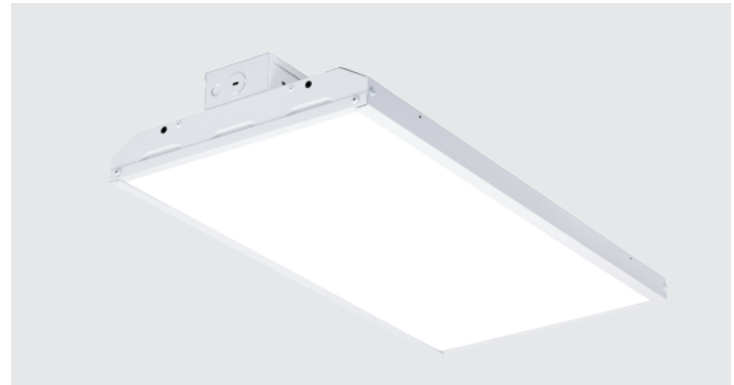


DATE: _____ LOCATION: _____
 TYPE: _____ PROJECT: _____
 CATALOG #: _____

tradeSELECT®

FEATURES

- Lumen packages range from 11,000 to 27,000 lumens in a 2ft housing
- Frosted acrylic lens
- LED light engine provides nominal efficacies of 130 lm/w
- 0-10V dimming to 10%
- -20°C up to 50°C ambient operation; see table for details
- Universal voltage standard (120-277V); 347V, 480V optional
- 80+ CRI
- 6kV surge protection
- Long life LEDs with projected life over 122,000 hours at L70



RELATED PRODUCTS

- Peloton
- LLHV
- CRN

SPECIFICATIONS

CONSTRUCTION

- Painted after fabrication full body steel housing constructed for shipment and job site durability. Channel includes top and side knockouts for simple and accessible wiring

OPTICS

- Optical grade PMMA with diffusion for distribution control and glare reduction

INSTALLATION

- V-hook and chain hanger are standard with each luminaire. Additional mounting options include surface mounting with the use of tong brackets and a single point stem (pendant) mount; refer to Accessories table for details

ELECTRICAL

- Efficient LED light engine (nominal 130 lm/w) with long life (122,000 hours, calculated) LEDs. Driver is 6kV surge protected and available in 120-277V standard or 347V, 480V. 0-10V standard with dimming range of 100% to 10%.

CERTIFICATIONS

- All luminaires are built to UL1598 standards, and bear appropriate cULus labels for damp location
- DLC® (DesignLights Consortium) Premium Qualified. Please refer to the DLC website for specific product qualifications at www.designlights.org

WARRANTY

- 5 year warranty
- See [HLI Standard Warranty](#) for additional information

STOCK GUIDE

Catalog Number	Description	Lumens	Watts	LM/W	Qty on Pallet	Fluorescent Replacement
CHB2-40LX-FA-EDU	2' LED High Bay, 4000K, 0-10V dimming, 120-277V	11,380	87.7	130	44	4-lamp HLT8, 2-lamp T5HO
CHB2-50LX-FA-EDU	2' LED High Bay, 5000K, 0-10V dimming, 120-277V	11,483	87.7	131	44	
CHB2-40ML-FA-EDU	2' LED High Bay, 4000K, 0-10V dimming, 120-277V	17,013	132.6	128	44	6-lamp T8
CHB2-50ML-FA-EDU	2' LED High Bay, 5000K, 0-10V dimming, 120-277V	17,105	131.7	130	44	
CHB2-40MH-FA-EDU	2' LED High Bay, 4000K, 0-10V dimming, 120-277V	21,949	172.7	127	44	6-lamp HLT8, 4-lamp T5HO
CHB2-50MH-FA-EDU	2' LED High Bay, 5000K, 0-10V dimming, 120-277V	22,038	172.4	128	44	
CHB2-40MV-FA-EDU	2' LED High Bay, 4000K, 0-10V dimming, 120-277V	27,343	211.9	129	22	8-lamp HLT8, 6-lamp T5HO
CHB2-50MV-FA-EDU	2' LED High Bay, 5000K, 0-10V dimming, 120-277V	27,522	212.9	129	22	

KEY DATA	
Lumen Range	11,380–27,522
Wattage Range	87.7–212.9
Efficacy Range (LPW)	128–131
Reported Life (Hours)	L70/60,000
Input Current (mA)	.31–1.77

ORDERING GUIDE

Example: CHB2-40ML-FA-EDU

CATALOG #

CHB		2				FA		ED					
Model	Size	Color Temp		Lumen Output		Lens		Driver		Voltage		Options	
CHB Linear High Bay	2 2'	40	4000K	LX	Low Extra High Lumen (11,000)	FA	Frosted Acrylic	ED	0-10V Dimming	U	120-277V	ELL14	Emergency Battery Pack, 1700lm ¹
		50	5000K	ML	Medium Low Lumen (17,000)					347	347V	OS1360	Factory-Installed End Mount PIR Occupancy Sensor, On-Off & Time Delay. 1:1 Mounting Height to Coverage Ratio ¹
				MH	Medium High Lume (22,000)					480	480V	ODS1360	Factory Installed End Mount Microwave Occupancy/Daylight Sensor, Dimming. 1:1 Mounting Height to Coverage Ratio ¹
				MV	Medium Very High Lumen (27,000)							C6TL152	6' cord and Twist-Lock® Plug, 277V, 15A ²
												C6TL202	6' cord with Twist-Lock® Plug, 277V, 20A ²
												F3C6	3-conductor cord, 6ft
												F4C6	4-conductor cord, 6ft ³
												F5C6	5-conductor cord, 6ft
												F6C6	6-conductor cord, 6ft ³
												F3C15	3-conductor cord, 15ft
												F4C15	4-conductor cord, 15ft ³
												F5C15	5-conductor cord, 15ft
												F6C15	6-conductor cord, 15ft ³
												C3P151	3-conductor cord, 6ft straight blade plug, 120V, 15A

Accessories (Order Separately)	
CHB-WG-N	Wire Guard Kit, Narrow, for LX, ML, and MH models
CHB-WG-W	Wire Guard Kit, Wide, for MV model
CHB-SMK-N	Surface Mount Kit, Narrow, for LX, ML, and MH models ⁴
CHB-SMK-W	Surface Mount Kit, Wide, for MV model ¹
CHB-PMK-SM	Pendant Mount Kit, Small, for LX model
CHB-PMK-LG	Pendant Mount Kit, Large, for ML, MH, and MV models
LWSQM5	Aircraft Cable, 5' (pair)
LWSQM10	Aircraft Cable, 10' (pair)
HBMS-REMOTE	Dimming Sensor Commissioning Remote Control

Notes:

- 1 Not available with 347V or 480V
- 2 Only for use with 277V; select "U" voltage option
- 3 Available with ELL14 only
- 4 Not compatible with 347V/480V ML or MH model

MAX AMBIENT OPERATING TEMPERATURE

Max Ambient Operating Temperature (without EM pack)				
Voltage	Lumen Output	Nominal Lumens	Mounted 2' from Ceiling	Surface Mount
120-277V	LX	11,000	50°C	50°C
	ML	17,000	50°C	50°C
	MH	22,000	50°C	50°C
	MV	27,000	50°C	50°C
347-480V	LX	11,000	50°C	50°C
	ML	17,000	55°C	25°C
	MH	22,000	50°C	25°C
	MV	27,000	50°C	25°C

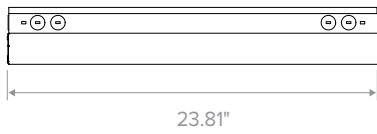
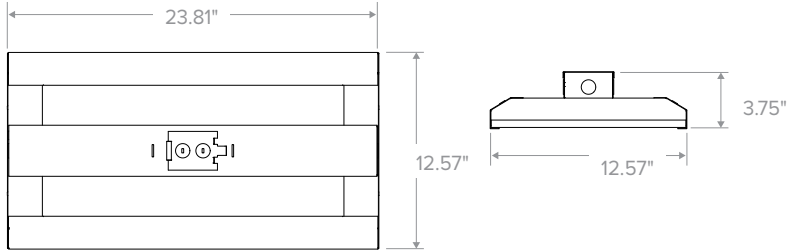
DIMENSIONS

DATE: _____ LOCATION: _____

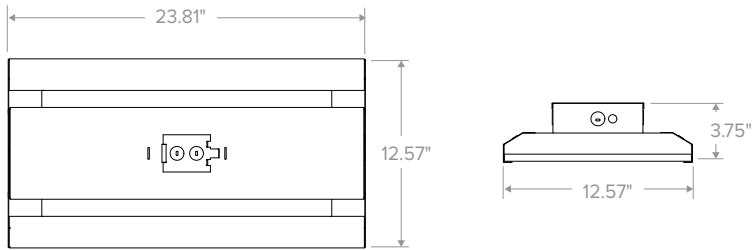
TYPE: _____ PROJECT: _____

CATALOG #: _____

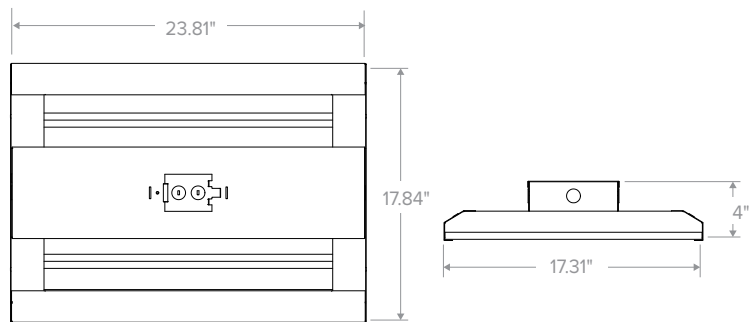
LX MODEL



ML, MH MODELS



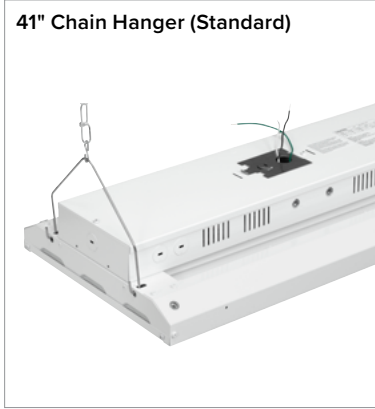
MV MODEL



ADDITIONAL INFORMATION

MOUNTING OPTIONS

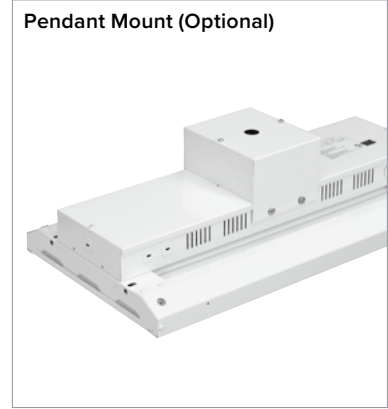
41" Chain Hanger (Standard)



Surface Mount (Optional)



Pendant Mount (Optional)



PHOTOMETRY

CHB2-40ML-FA-EDU

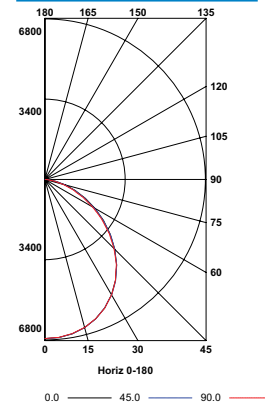
LUMINAIRE DATA

Test No.	RKSB180522019-10
Description	Commercial Linear LED, Highbay 12.5" x 24" LED luminaire with frosted acrylic lens
Delivered Lumens	17401
Watts	132.66
Efficacy	131
Mounting	Recessed
Spacing Criterion	0° = 1.24 90° = 1.24

ZONAL LUMEN SUMMARY

Zone	Lumens	% Luminaire
0-30	5243	30.1
0-40	8509	48.9
0-60	14424	82.9
0-90	17401	100.0
0-180	17401	100.0

INDOOR CANDELA PLOT



CHB-40MH-FA-EDU

LUMINAIRE DATA

Test No.	RKSB180522020-10
Description	Commercial Linear LED, Highbay 12.5" x 24" Led luminaire with frosted acrylic lens
Delivered Lumens	22550
Watts	172.79
Efficacy	131
Mounting	Recessed
Spacing Criterion	0° = 1.24 90° = 1.24

ZONAL LUMEN SUMMARY

Zone	Lumens	% Luminaire
0-30	6808	30.2
0-40	11052	49.0
0-60	18707	83.0
0-90	22550	100.0
0-180	22550	100.0

INDOOR CANDELA PLOT

