

PROJECT INFORMATION

Project Name _____

Type _____

Catalog No. _____

Date _____

FEATURES

- 4' Enclosed and Gasketed Industrial High Bay
- T5, T5HO, or T8 fluorescent
- IP65, IP66, and IP67 rated
- 1500 PSI High Pressure Hose down rating
- Fiberglass housing with F1 weatherability rating, standard
- Gasket is non-porous to ensure seal
- Impact modified acrylic lenses
- Lens selections includes clear, frosted, or clear polycarbonate
- Lens firmly secured with tamper resistance ready latches
- Lens is tethered and gear tray hinges for ease of maintenance
- Stainless steel latching and mounting straps optional
- Removable gear tray electrical access
- V-Hook mounting brackets included standard
- Optional specular aluminum High Bay reflectors provides narrow distribution
- Elevated ambient rating with HT option as high as 50°C 4-Lamp T5HO
- Thermal table below provides details elevated ambient offerings

CONSTRUCTION

Fiberglass reinforced housing and tough injection molded lens. Hinged ballast tray for easy maintenance. Industrial fixture design allows for easy cleaning reduces dirt and water accumulation. 12 captive polycarbonate latches and four fixed installation points secures the fixture during transit and allows for fast installation.

REFLECTOR

Multi-faceted specular reflector provides precise control and excellent efficiency. Wide distribution uses high gloss white gear tray.

BALLAST & ELECTRICAL

Standard class "P" thermally protected, auto starting HPF, sound rated A. NEC /CEC- compliant ballast disconnects are standard. Fixture has plugged 7/8" hole both ends. Fixture can be order with liquid tight cord (16/3 SJO) installed or cord installed with 8' or 15' line voltage disconnect. CEE NEMA Premium compliant.

FINISH

Housing has chemical resistant finish. Internal steel surfaces are painted with high gloss baked white enamel, applied over iron phosphate pre-treatment for maximum adhesion and rust resistance. Stainless steel parts have fine brushed mill finish.

MOUNTING

Fixture is intended to be surface or suspended mounted. Surface mounting requires use of the proper accessories listed below. To suspend the fixture use aircraft cable or chain (See Accessories). V-Hook mounting brackets included standard.

CERTIFICATION

All luminaires are built to UL 1598 wet location standards and have IP65/IP66/IP67 hose down ratings. Housing and lens are made with 5VA (f1) fire rated materials. All XEW fixtures are NSF rated for Splash Zones. See table on page 2 for elevated ambient ratings.



ORDERING INFORMATION

EXAMPLE XEW4-654-CA-N-24EPU-F5841-F3C8W

XEW		4	-	-	-	-	-	-		
MODEL	NO. OF LAMPS IN CROSS SECTION	LENS TYPE	DISTRIBUTION	VOLTAGE	OPTIONS	SIZE	LAMP TYPE	BALLAST	BALLAST FACTOR	LAMPS INSTALLED
XEW Enclosed and Gasketed High Bay	4 Four 6 Six	CA Clear Impact Resistant Acrylic CP Clear UV Stabilized Polycarbonate FA Frost Impact Resistant Acrylic	N Narrow Distribution W Wide Distribution	U 120V-277V 120 120V 277 277V 347 347V 480 480V (54W lamp only)	EL Emergency Battery Pack, 350-450 Lumen (T8 only) ² EL141 900-1400 Lumen T8, Battery Pack ² EL5 390-700 Lumen T5, T5HO Battery Pack ² EL5H 600-1325 Lumen T5, T5HO Battery Pack ² GLR Fast Blow Fuse SSL Stainless Steel Latches ¹ TP Tamper Proof Screws HT Elevated Ambient Rating F3C8W 3-Wire 8' Wet Cord F3C15W 3-Wire 15' Wet Cord F3C8WQ 8' Cord with liquid tight quick disconnect 6.5' from fixture end, 1.5' of cord with no plug at feed end F3C15WQ 15' Cord with liquid tight quick disconnect 13.5' from fixture end, 1.5' of cord with no plug at feed end SWH Single Wet Hub 1/2" NPT Hub DWH Dual Wet Hub 1/2" NPT Hub	4 4' 28 4', T5: 28 Watt 32 4', T8: 32, 30, 28 or 25 Watt 54 4', T5HO 54 or 51 Watt	E Electronic, Instant Start (T8) 3E 3-Lamp Electronic, Instant Start (T8) 4E 4-Lamp Electronic, Instant Start (T8) 24E (1) 2-Lamp and (1) 4-Lamp Electronic, Instant Start (T8) EP Electronic, Programmed Start 3EP 3-Lamp Electronic, Programmed Start ⁵ 4EP 4-Lamp Electronic, Programmed Start ⁵ 24EP (1) 2-Lamp and (1) 4-Lamp Electronic, Programmed Start ⁵ ESD Electronic Step Dimming ³ ED Electronic Dimming ⁴ 3ED (1) 3-Lamp Electronic Dimming (T8) ⁴ 4ED (1) 4-Lamp Electronic Dimming (T8) ⁴ 24ED (1) 2-Lamp and (1) 4-Lamp Electronic Dimming T8 ⁴	Blank Standard LW Low Watt HL 1.18 BF High Lumen 4' T8	F0835 T8 Lamp Installed, 82 CRI, 3500K F0841 T8 Lamp Installed, 82 CRI, 4100K F0850 T8 Lamp Installed, 82 CRI, 5000K F5841 T5, T5HO Lamp Installed, 82 CRI, 4100K F5850 T5, T5HO Lamp Installed, 82 CRI, 5000K	

ACCESSORIES (ORDER SEPARATELY)

- LHVQM5** Aircraft Cable, 5' (Pair)
- LHVQM10** Aircraft Cable, 10' (Pair)
- XEWMHSS** Mounting Strap Hardware Kit, Stainless Steel, includes 4
- XEWSBZN** Rigid Surface Mounting Bracket Kit, Zinc Plated, includes 2
- XEWSBSS** Rigid Surface Mounting Bracket Kit, Stainless Steel, includes 2
- XEWFBS** Surface Mounting Bracket Kit, Stainless Steel, includes 2

¹ SSL option replaces latches and mounting straps.
² HT option not available with this selection.
³ Can be converted to fixed output by tying hot leads together.
⁴ Not compatible with T8 25, 28, or 30 Watt energy-saving lamps.
⁵ T8 and T5HO only.

PHOTOMETRIC DATA

LUMINAIRE DATA

Luminaire	XEW4-454-CA-N-4EPU XEW Enclosed and Gasketed, Industrial 15" X 52" 4-LAMP WITH WHITE BACK w/ REFLECTORS AND CLEAR ACRYLIC LENS
Ballast	ICN-4S54-00C-2L-SG
Ballast Factor	1.00
Lamp	F54T5
Lumens per Lamp	4500
Fixture Lumens	15, 186
Watts	199
Mounting	Surface
Shielding Angle	0° = 90 90° = 90
Spacing Criterion	0° = 1.24 90° = 1.41
Luminous Opening in Feet	Length: 4.17 Width: 1.04 Height: 0.19

ZONAL LUMEN SUMMARY

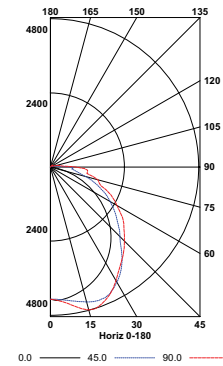
Zone	Lumens	Lamp	Fixt.
0-30	3683	20.5	24.3
0-40	6093	33.8	40.1
0-60	10840	60.2	71.4
0-90	14563	80.9	95.9
0-180	15186	84.4	100.0

ENERGY DATA

Total Luminaire Efficiency	84.4%
Luminaire Efficacy Rating (LER)	76
IESNA RP-1-2004 Compliance	Non-Compliant
Comparative Yearly Lighting Energy Cost per 1000 Lumens	\$3.16 based on 3000 hrs. and \$0.08 per KWH

INDOOR CANDELA PLOT

Test 15371 Test Date 5/5/14



LUMINAIRE DATA

Luminaire	XEW4-654-CA-W-24EPU XEW Enclosed and Gasketed, Industrial 15" X 52" SURFACE-MOUNT WITH WHITE BACK AND CLEAR ACRYLIC LENS
Ballast	ICN-2S54-90C-N, ICN-4S54-90C-2LSG
Ballast Factor	1.00
Lamp	F54T5
Lumens per Lamp	4500
Fixture Lumens	19, 648
Watts	286
Mounting	Surface
Shielding Angle	0° = 90 90° = 90
Spacing Criterion	0° = 1.26 90° = 1.43
Luminous Opening in Feet	Length: 4.17 Width: 1.04 Height: 0.19

ZONAL LUMEN SUMMARY

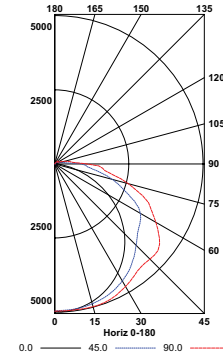
Zone	Lumens	Lamp	Fixt.
0-30	4020	14.9	20.5
0-40	6737	25.0	34.3
0-60	12872	47.7	65.5
0-90	18688	69.2	95.1
0-180	19648	72.8	100.0

ENERGY DATA

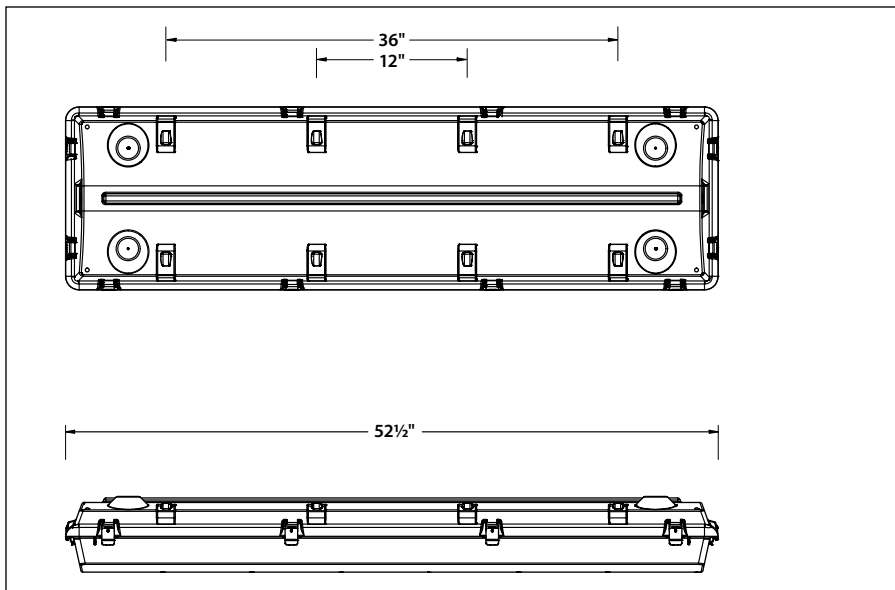
Total Luminaire Efficiency	72.8%
Luminaire Efficacy Rating (LER)	69
IESNA RP-1-2004 Compliance	Non-Compliant
Comparative Yearly Lighting Energy Cost per 1000 Lumens	\$3.48 based on 3000 hrs. and \$0.08 per KWH

INDOOR CANDELA PLOT

Test 15374 Test Date 4/25/14



DIMENSIONAL DATA



ELEVATED AMBIENT RATINGS

# OF LAMPS	WITHOUT HT	WITH HT	
T8	XEW4-432	40°C	50°C
	XEW4-632	40°C	50°C
T5	XEW4-428	40°C	50°C
	XEW4-628	40°C	50°C
T5HO	XEW4-454	25°C	50°C
	XEW4-654	25°C	35°C

NOTE: All dimensions are in inches; dimensions and specifications are subject to change without notice. Please consult factory or check sample for verification.