

KEMLUX III SERIES

HAZARDOUS LOCATION

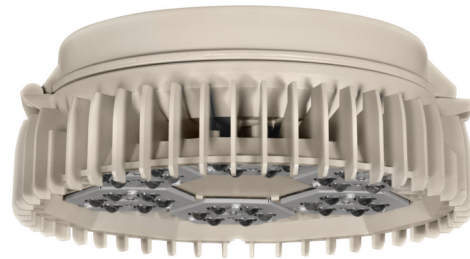
DATE: _____ LOCATION: _____

TYPE: _____ PROJECT: _____

CATALOG #: _____

FEATURES

- Class I, Division 2
- Covers gas groups A, B, C and D with a T-Code of T5
- Custom engineered LED optics providing optimally controlled and evenly distributed light
- Three LED count options: 18, 24, 36
- Three distinct distributions: Type V Square, Type V Rectangle, Narrow
- Modular design provides 6 mounting options
- Copper-free (less than 0.4%) aluminum housing, cover and guard with corrosion resistant Lektrocote® powder polyester paint finish
- All exposed hardware is stainless steel



SPECIFICATIONS

APPLICATIONS

- Designed to efficiently light corrosive and Hazardous applications such as chemical, petrochemical, marine, power generation, pharmaceutical or food processing plants.

CONSTRUCTION

- Vertically finned cast aluminum housing for maximum heat dissipation ensuring long component life and performance
- Separate hinged optical and electrical compartments for optimum component operation and easy installation, maintenance.
- One piece molded silicone gasket ensures weather proof seal around each individual LED; Stamped bezel provides mechanical compression to seal the optical assembly
- Modular design provides 6 mounting options
- Specialized thermal management allows up to 40°C ambient temperature ratings
- Copper-free (<0.4%) aluminum housing and cover with tan Lektrocote® powder polyester paint finish provides excellent corrosion resistance from most chemicals
- Fixture weight: 29 lbs. Shipped weight: 33 lbs.

OPTICS/ELECTRICAL SYSTEM

- Custom engineered LED optics providing optimally controlled and evenly distributed light
- Three distinct distributions: Type V square, Type V rectangle and Narrow

LED LIGHT ENGINE

- High output LEDs delivering up to 105 lumens per watt
- CCT: 5100K
- 18, 24 and 36 LEDs on up to 6 light engines providing fail-safe redundancy

LED DRIVER

- Transient voltage protection with standard 10KVA surge suppressor
- Thermal compensation management
- Wattage: 43-86
- Minimum operating temperature of -40°C to 40°C

LISTINGS

- Listed to UL844 for use in hazardous locations
- CSA Listed to UL1598 Wet Location
- Class I, Division 2, Groups A, B, C & D; T-code of T5

WARRANTY

- 5 year warranty

KEY DATA	
Lumen Range	4,323–9,004
Wattage Range	43-86
Efficacy Range (LPW)	99-105
Reported Life (Hours)	60,000

KEMLUX III SERIES

HAZARDOUS LOCATION

DATE: _____ LOCATION: _____

TYPE: _____ PROJECT: _____

CATALOG #: _____

ORDERING GUIDE

Example: KHL-36L-U-5K-N-C-2-TN-WG

CATALOG # _____

KHL			5K			
Series	Number of LEDs	Voltage	Color Temperature	Optics	Mount	Hub
KHL Kemlux III LED	18L 18 High Performance LEDs (43 watts)	U 120 - 277	5K 5000K (68 CRI)	5M Type V Square 5R Type V Rectangle N Narrow	A Pendant B Wall Bracket C Cone D Stanchion 25° N None (mount ordered separately) S Straight Stanchion X Ceiling Mount Y Yoke Mount	2 ¾" ¹ 3 1" ¹ 4 1¼" ² 5 1½" ²
	24L 24 High Performance LEDs (57 watts)	1 120 2 208 3 240 4 277 5 480 F 347				
	36L 36 High Performance LEDs (86 watts)					

TN	Options
Color	
TN Tan	F(x) Fusing ³

Accessories (Order Separately)

WG Wire Guard

- Notes:
- Available with A, B, C, X Mount
 - Available with S, D Mount
 - Fusing (x=1 for 120V, 2 for 208V, 3 for 240V, 4 for 277V, 6 for 347V)

LED SYSTEM INFORMATION

NUMBER OF LED's	DRIVE CURRENT (MILLIAMPS)	INPUT WATTS	DISTRIBUTION	TOTAL LUMENS	LUMENS PER WATT	HID EQUIVALENT
18	STD. (700 MA)	43	N	4410	103	100w HID
			5M	4323	101	
			5R	4405	102	
24		57	N	5988	105	175w HID
			5M	5712	100	
			5R	5896	103	
36		86	N	9004	105	250w HID
			5M	8473	99	
			5R	8747	102	

¹Lumen values are from photometric tests performed in accordance with IESNA LM-79-08. Data is considered to be representative of the configurations shown. Actual performance may differ as a result of end-user environment and application.

KEMLUX III SERIES

HAZARDOUS LOCATION

DATE: _____ LOCATION: _____

TYPE: _____ PROJECT: _____

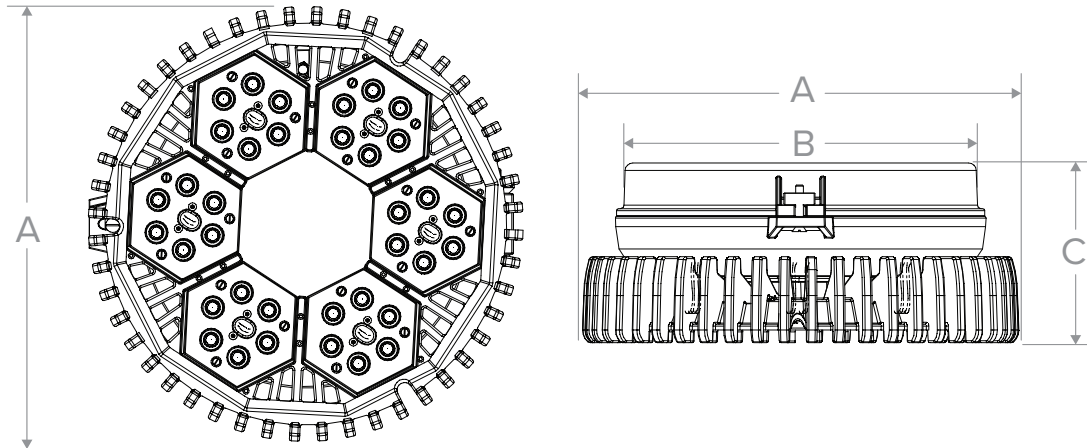
CATALOG #: _____

ELECTRICAL DATA

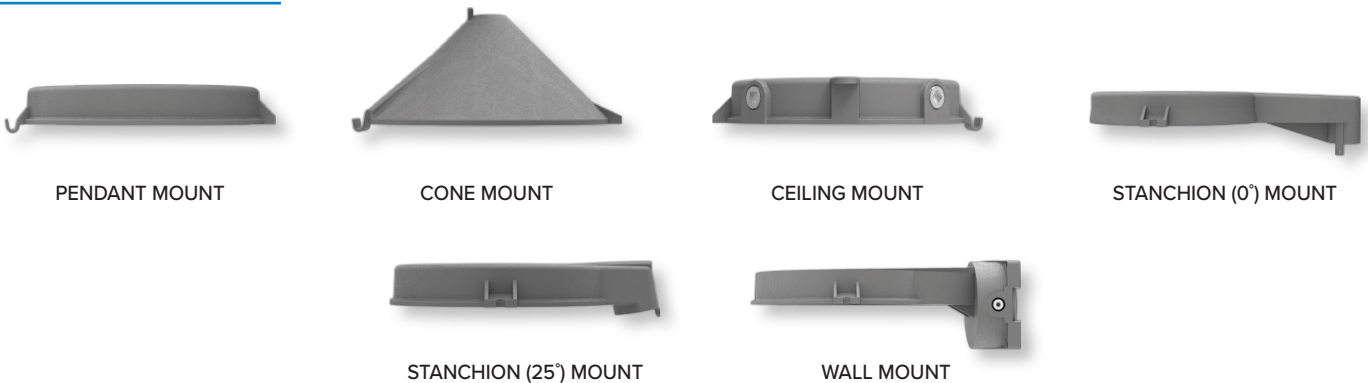
NUMBER OF LED's	NUMBER OF DRIVERS	DRIVE CURRENT (MILLIAMPS)	INPUT VOLTAGE (V)	SYSTEM POWER (W)	CURRENT (AMPS)	T-CODE
18	1	STD. (700 MA)	120	43	0.36	T5
			277	45	0.20	
			347	43	0.13	
			480	43	0.11	
24	2		120	57	0.48	T5
			277	59	0.24	
			347	56	0.17	
			480	57	0.13	
36	3		120	86	0.73	T5
			277	89	0.35	
			347	84	0.25	
			480	85	0.20	

DIMENSIONS

	KS
A	14.5"
B	11"
C	6"



MOUNTING OPTIONS



PHOTOMETRY

KXL-36L-X-5K-5M

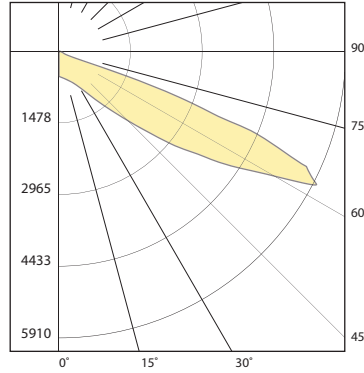
LUMINAIRE DATA

Test No.	7093
Description	5000K, 68 CRI
Delivered Lumens	8470
Watts	85.3W
Efficacy	100.0
Mounting	Pendant
Spacing Criterion	3.75

ZONAL LUMEN SUMMARY

ZONE	LUMENS
0-30	557.83
0-40	1309.22
0-60	5689.70
0-90	8461.34

POLAR GRAPH



CANDELA DISTRIBUTION

ANGLE IN DEGREES	AVERAGE 0-DEG	AVERAGE 45-DEG	AVERAGE 90-DEG
45	36714	38224	36501
55	64143	91715	63284
65	47593	182242	47788
75	2539	17775	2645
85	1257	1571	1414

KXL-36L-X-5K-5R

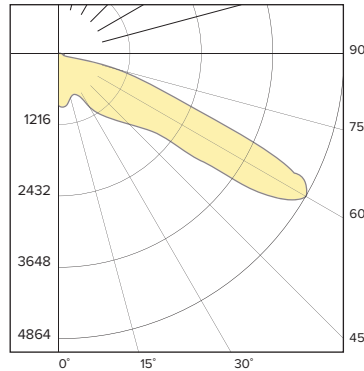
LUMINAIRE DATA

Test No.	7096
Description	5000K, 68 CRI
Delivered Lumens	8746
Watts	85.3W
Efficacy	100.0
Mounting	Pendant
Spacing Criterion	0°=3.89 90°=2.37

ZONAL LUMEN SUMMARY

Zone	Lumens	% Luminaire
0-40	11,062	68.6
0-60	15,985	99.1
0-90	16,132	100.0
0-180	16,132	100.0

POLAR GRAPH



LUMINANCE DATA (CD/SQ.M)

ANGLE IN DEGREES	AVERAGE 0-DEG	AVERAGE 45-DEG	AVERAGE 90-DEG
45	33189	34371	30033
55	97444	53401	47123
65	128719	104809	8197
75	41158	28409	1852
85	8798	2985	1414

KXL-36L-X-5K-N

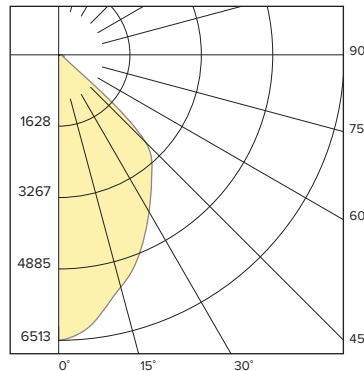
LUMINAIRE DATA

Test No.	7099
Description	5000K, 68 CRI
Delivered Lumens	9019
Watts	85.4W
Efficacy	100.0
Mounting	Pendant
Spacing Criterion	.98

ZONAL LUMEN SUMMARY

Zone	Lumens	% Luminaire
0-40	11,062	68.6
0-60	15,985	99.1
0-90	16,132	100.0
0-180	16,132	100.0

POLAR GRAPH



LUMINANCE DATA (CD/SQ.M)

ANGLE IN DEGREES	AVERAGE 0-DEG	AVERAGE 45-DEG	AVERAGE 90-DEG
45	55516	55516	55516
55	3485	3485	3485
65	1620	1620	1620
75	1799	1799	1799
85	1728	1728	1728