

# Kemlux III

HAZARDOUS / SEVERE LOCATION FIXTURE

NOTE: Components shown in images are representative only and may vary based on the configuration ordered.

## IMPORTANT SAFEGUARDS

When using electrical equipment, basic safety precautions should always be followed including the following:

- READ AND FOLLOW ALL SAFETY INSTRUCTIONS.
- Do not use outdoors.
- Do not mount near gas or electric heaters.
- Equipment should be mounted in locations and at heights where it will not readily be subjected to tampering by unauthorized personnel.
- The use of accessory equipment not recommended by the manufacturer may cause an unsafe condition.
- Do not use this equipment for other than intended use.
- A regularly scheduled maintenance program should be established to retain optimum light output and reduce heat retention. Dusting with a soft, clean, dry cloth is normally sufficient for the optical system. Any accumulation of dust or dirt should be removed regularly.

## WARNINGS

- This product contains chemicals known to the state of California to cause cancer, birth defects and/or other reproductive harm. Thoroughly wash hands after installing, handling, cleaning, or otherwise touching this product.
- Contact Current for information and direction before relamping or replacing this light fixture.
- Disconnect power before installing or servicing. Observe all precautions usually followed when dealing with high voltage equipment when installing or servicing this light fixture.
- The product must be installed in accordance with the applicable installation code by a person familiar with the construction and operation of the product and the hazards involved.
- Protect all wiring connections with approved insulators rated 600V / 150°C (by others).
- Selected fixture voltage must match supply line voltage.

## SAVE THESE INSTRUCTIONS FOR FUTURE REFERENCE

Upon receipt of this fixture, thoroughly inspect it for any damage. If any is found, the carrier should be notified and held accountable.

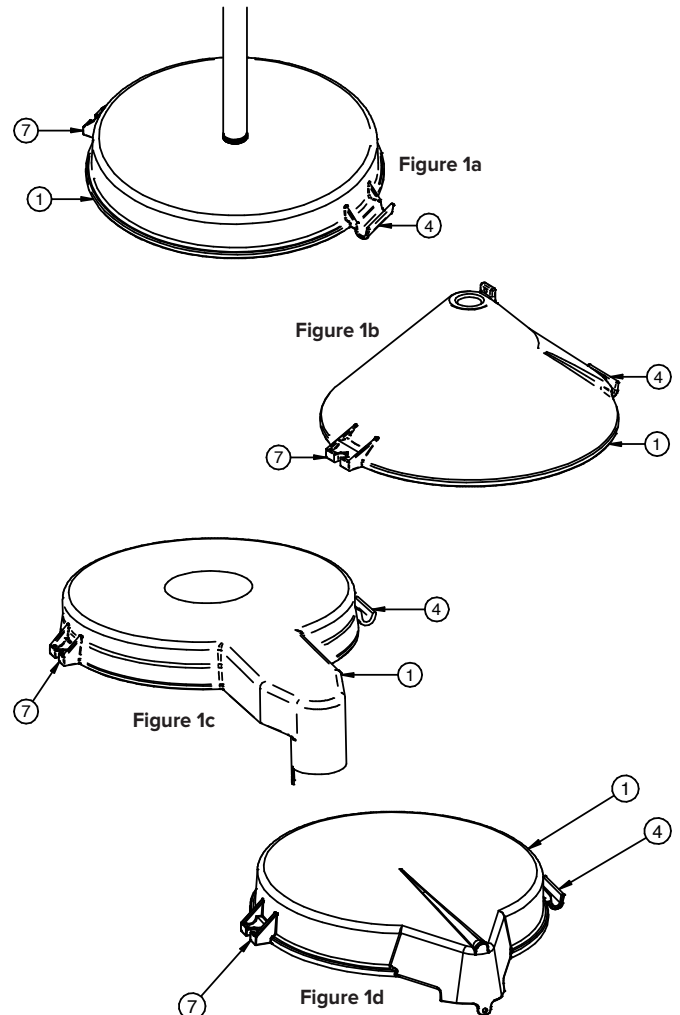
## GENERAL INFORMATION, CONDUIT MOUNT:

- All 12" (304.8 mm) minimum supply wire outside of conduit.
- Fixture housing conduit threads are 3/4-14 NPS.
- Use a waterproof pipe joint compound (by others) for all entries into housing.
- Plug all unused entries into housing (if applicable).

## PENDANT/CONDUIT & CONE MOUNT

(See Figures 1a, 1b, 2 and 3)

- To ease installation, top cover (1) should be removed from the fixture assembly. Unfasten the latch (2) and the top cover casting can be removed from the hinge pin assembly (3).
- Feed electrical supply wire through one of (4) threaded hole in the cover and thread top cover onto conduit until tight.
- Tighten set screw located on conduit hub inside the cover to prevent fixture rotation.
- Fixture ground wire connection can be made with supply ground at this point if desired.
- Lift fixture assembly and place the hinge pin (3) in the cradle (4) of the top cover casting. The fixture can now hang from the hinge pin.
- Make remaining wiring connections. See appropriate WIRING SCHEMATIC for reference. If ground wire was not connected earlier, connect the fixture ground with the incoming ground wire. There will be a single white and a single black wire providing power to the entire array of LED drivers. Incoming power to be connected to the white wire and the black wire. See warnings above about wire connections.
- Dress wires as needed.
- Gently pivot the assembly up until the lower portion of the fixture is against the top cast cover. The lower portion of the fixture should "nest" inside the fixture cover (1). The sealing gasket (5) should compress evenly as well.
- Swing barrel nut latch (6) over the top cover at the latching point (7).
- Use Flathead Screwdriver or ¼ in. driver to secure the housing to the cover. Draw the two halves of the fixture together by tightening the screw.



# Kemlux III

HAZARDOUS / SEVERE LOCATION FIXTURE

## **STRAIGHT STANCHION/25 DEG STANCHION & POLE MOUNT:**

(See Figures 1c, 1d, 2 and 3)

1. To ease installation, top cover ① should be removed from the fixture assembly. Unfasten the latch ② and the top cover casting can be removed from the hinge pin assembly ③.
2. Feed electrical supply wire from the mounting pole through the wireway in the top cover and then thread/screw the top cover onto the mounting pole until tight (and in desired orientation).
3. Tighten set screw location on cast top to prevent fixture rotation.
4. Follow steps 4 through 10 from previous section of instructions.

## **CEILING/FLUSH MOUNT:**

(See Figures 1e, 2 and 3)

1. To ease installation, top cover ① should be removed from the fixture assembly. Unfasten the latch ② and the top cover casting can be removed from the hinge pin assembly ③.
2. Feed electrical supply wire through the appropriate threaded hole/hub in the top cover and thread conduit into the top cover until tight. For applications using "thru-wiring" all conduit should be attached to the top cover.
3. Attach top cover to ceiling using recommended hardware..
4. Follow steps 4 through 10 from previous section of instructions.

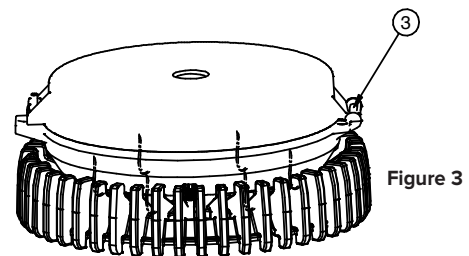
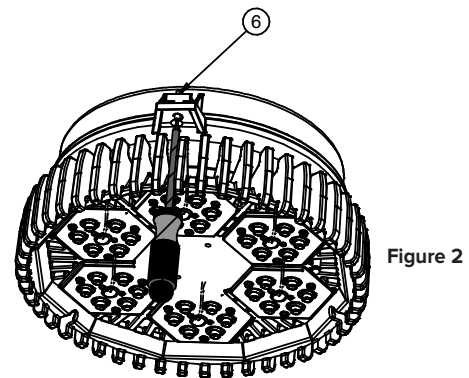
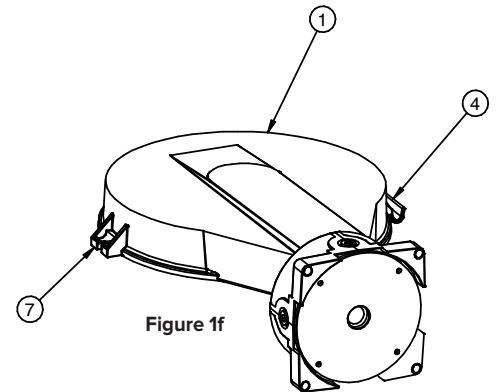
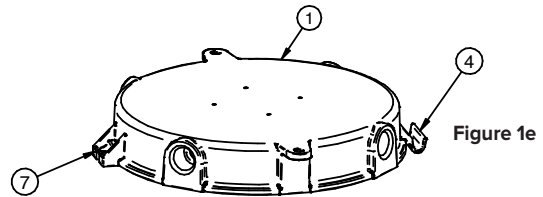
## **GENERAL INFORMATION, CONDUIT MOUNT:**

- All 12" (304.8 mm) minimum supply wire outside of conduit.
- Fixture housing conduit threads are 3/4-14 NPS.
- Use a waterproof pipe joint compound (by others) for all entries into housing.
- Plug all unused entries into housing (if applicable).
- **Minimum mounting distance from the ceiling to the top surface of the fixture to be two feet (24").**

## **WALL MOUNT:**

(See Figures 1f, 2 and 3)

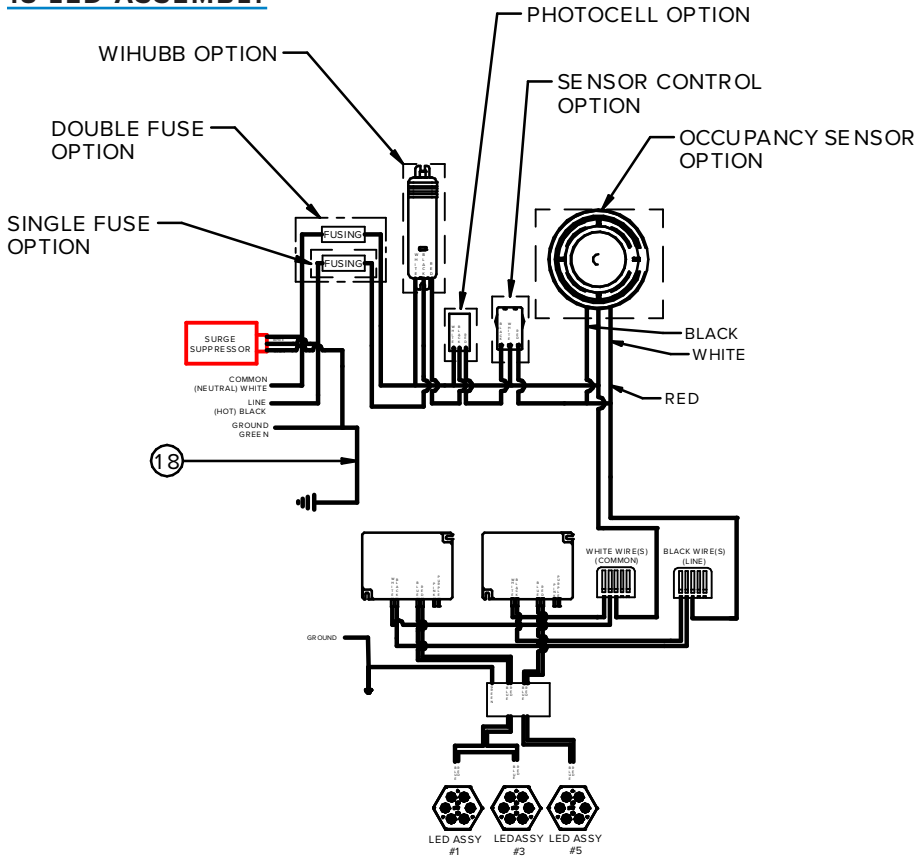
1. To ease installation, top cover ① should be removed from the fixture assembly. Unfasten the Barrel Nut Latch ② and the top cover casting can be removed from the hinge pin assembly ③.
2. Feed electrical supply wire through one of FOUR threaded holes in the cover and thread top cover onto conduit until tight.
3. Attach top cover to wall using recommended hardware,
4. Fixture ground wire connection can be made with supply ground at this point if desired.
5. Lift fixture assembly and place the hinge pin ③ in the cradle ④ of the top cover casting. The fixture can now hang from the hinge pin.
6. Make remaining wiring connections. See appropriate WIRING SCHEMATIC for reference. If ground wire was not connected earlier, connect the fixture ground with the incoming ground wire. There will be a single white and a single black wire providing power to the entire array of LED drivers. Incoming power to be connected to the white wire and the black wire. See warnings above about wire connections.
7. Dress wires as needed.
8. Gently pivot the assembly up until the lower portion of the fixture is against the top cast cover. The lower portion of the fixture should "nest" inside the fixture cover ①. The sealing gasket ⑤ should compress evenly as well.
9. Swing barrel nut latch ⑥ over the top cover at the latching point ⑦.
10. Use Flathead Screwdriver or ¼ in. driver to secure the housing to the cover. Draw the two halves of the fixture together by tightening the screw.



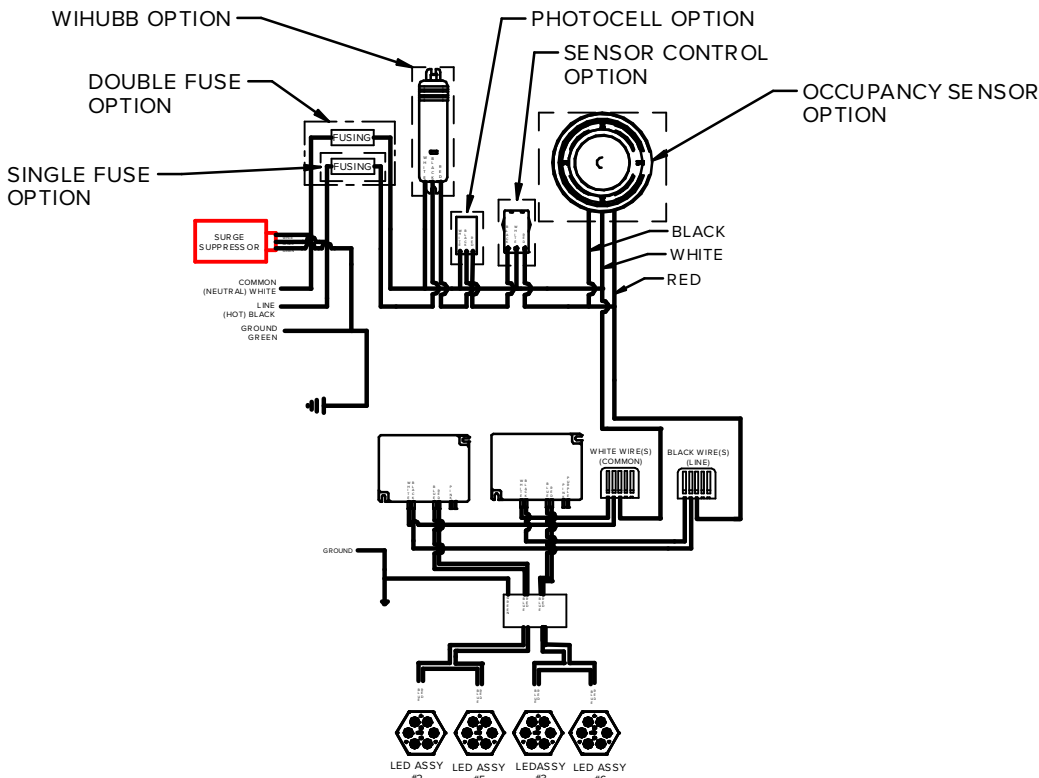
# Kemlux III

HAZARDOUS / SEVERE LOCATION FIXTURE

## 18 LED ASSEMBLY



## 24 LED ASSEMBLY



# Kemlux III

HAZARDOUS / SEVERE LOCATION FIXTURE

## 36 LED ASSEMBLY

