



IMPORTANT! PLEASE READ CAREFULLY AND SAVE. This user's manual contains important information about your Alarm's operation.

LISTED TO UL 217 and UL 2034 STANDARDS Model SC7010B Printed in Mexico M08-0182-009 K1 09/10

INTRODUCTION Thank you for choosing First Alert® for your Smoke and Carbon Monoxide Alarm needs. You have purchased a state-of-the-art Smoke & Carbon Monoxide Alarm designed to provide you with early warning of fire or Carbon Monoxide.

AC Powered Smoke & Carbon Monoxide Alarm Features: Two Latching Features Smart Interconnect Optipath 360 Technology™ Two Silence Features Alkaline Battery Backup

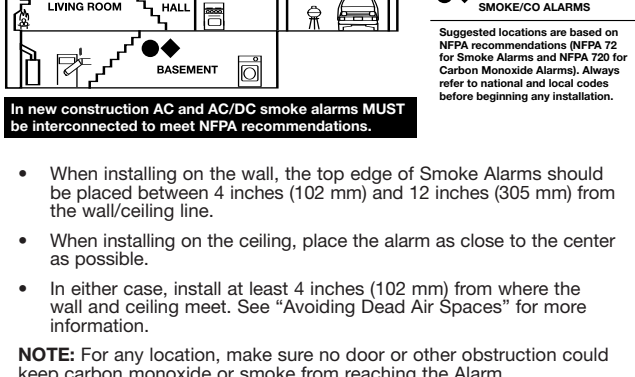
IMPORTANT! PLEASE READ CAREFULLY AND SAVE. This user's manual contains important information about your Alarm's operation.

AC Powered Smoke & Carbon Monoxide Alarm Features: Two Latching Features Smart Interconnect Optipath 360 Technology™ Two Silence Features Alkaline Battery Backup

INTRODUCTION Thank you for choosing First Alert® for your Smoke and Carbon Monoxide Alarm needs. You have purchased a state-of-the-art Smoke & Carbon Monoxide Alarm designed to provide you with early warning of fire or Carbon Monoxide.

INSTALLATION WHERE TO INSTALL THIS ALARM Minimum coverage for Smoke Alarms, as recommended by the National Fire Protection Association (NFPA), is one Smoke Alarm on every floor, in every sleeping area, and in every bedroom.

For CO Alarms, the National Fire Protection Association (NFPA) recommends that a CO Alarm should be centrally located outside of each separate sleeping area in the immediate vicinity of the bedrooms.



RECOMMENDED PLACEMENT SUGGESTED AREAS FOR INSTALLING SMOKE ALARMS, CO ALARMS, AND COMBO UNITS

WHERE THIS ALARM SHOULD NOT BE INSTALLED Do NOT locate this Smoke/CO Alarm: In garages, furnace rooms, crawl spaces and unfinished attics. Avoid extremely dusty, dirty or greasy areas.

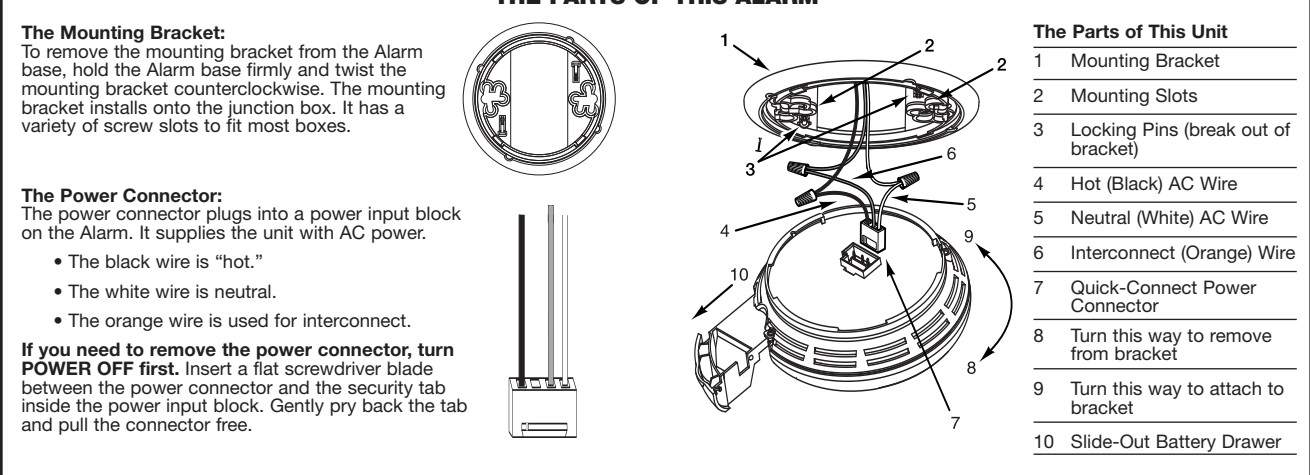
Electrical Shock Hazard. Turn off the power to the area where the Smoke Alarm is installed before removing it from the mounting bracket. Failure to turn off the power first may result in serious electrical shock, injury or death.

WARNING! This unit will not alert hearing impaired residents. It is recommended that you install special units which use devices like flashing strobe lights to alert hearing impaired residents.

CAUTION! Connect this unit ONLY to other compatible units. See "How To Install This Smoke Alarm" for details. Do not connect it to any other type of alarm or auxiliary device.

HOW TO INSTALL THIS SMOKE/CO ALARM This Smoke/CO Alarm is designed to be mounted on any standard wiring junction box up to a 4-inch (10 cm) size, on either the ceiling or wall (if allowed by local codes).

WARNING! Make sure the Alarm is not receiving excessively noisy power. Examples of noisy power could be major appliances on the same circuit, power from a generator or solar power, light dimmer on the same circuit or mounted near fluorescent lighting.



FOLLOW THESE INSTALLATION STEPS The basic installation of this Alarm is similar whether you want to install one Alarm, or interconnect more than one Alarm.

DANGER! ELECTRICAL SHOCK HAZARD. Turn off power to the area where you will install this unit at the circuit breaker or fuse box before beginning installation.

STAND-ALONE ALARM ONLY: Connect the white wire on the power connector to the neutral wire in the junction box. Connect the black wire on the power connector to the hot wire in the junction box.

INTERCONNECTED UNITS ONLY: Strip off about 1/2" (12 mm) of the plastic coating on the orange wire on the power connector.

WARNING! Improper wiring of the power connector or the wiring leading to the power connector will cause damage to the Alarm and may lead to a non-functioning Alarm.

STAND-ALONE ALARM ONLY: If you are only installing one Alarm, restore power to the junction box. INTERCONNECTED UNITS ONLY: If you are interconnecting multiple Alarms, repeat steps 1-5 for each Alarm in the series.

DANGER! ELECTRICAL SHOCK HAZARD. Do not restore power until all Alarms are completely installed. Restoring power before installation is complete may result in serious electrical shock, injury or death.

WEEKLY TESTING WARNING! NEVER use an open flame of any kind to test this unit. You might accidentally damage or set fire to the unit or to your home.

CAUTION! It is important to test this unit every week to make sure it is working properly. Using the test button is the recommended way to test this Smoke/CO Alarm.

LOCKING FEATURES The locking features are designed to discourage unauthorized removal of the batteries or Alarm. It is not necessary to activate the locks in single-family households where unauthorized battery or Alarm removal is not a concern.

TO LOCK THE BATTERY COMPARTMENT Do not lock the battery compartment until you have installed the battery and tested the battery back-up.

IMPORTANT! If the unit does not alarm during testing, DO NOT lock the battery compartment! Install a new battery and test again.

TO LOCK THE MOUNTING BRACKET Using needle-nose pliers, detach one locking pin from mounting bracket. Push the locking pin through the hole near the battery drawer on the back of the Alarm.

WARNING! ELECTRICAL SHOCK HAZARD. Turn off the power to the area where the Alarm is installed before removing it from the mounting bracket.

WARNING! Always discharge the branch circuit before servicing an AC or AC/DC Alarm. First, turn off the AC power at the circuit breaker or fuse box.

WHAT YOU WILL SEE AND HEAR WITH THIS ALARM Under Normal Operations Horn: Silent Power/Smoke LED: Constant Green CO LED: Off

When You Test the Alarm Horn: 3 beeps, pause, 3 beeps Power/Smoke LED: Flashes Red in sync with the horn pattern CO LED: Off, followed by Horn: 4 beeps, pause, 4 beeps Power/Smoke LED: Off CO LED: Flashes Red in sync with the horn pattern

If Battery Becomes Low or is Missing Horn: chirps once a minute Power/Smoke LED: Flashes Green On for 2 seconds/Off for 2 seconds. Low Battery Latch is now engaged.

If Alarm is Not Operating Properly (MALFUNCTION SIGNAL) Horn: 3 chirps every minute Power/Smoke LED: 3 Flashes approximately once a minute CO LED: Off

Alarm has reached its End of Life Horn: 5 chirps every minute Power/Smoke LED: 5 Flashes approximately once a minute CO LED: Off

Alarm Levels of CO are Detected Horn: 4 beeps, pause, 4 beeps\* Power/Smoke LED: Off CO LED: During Alarm: Flashes Red in sync with the horn pattern. After Alarm: Flashes Red On for 2 seconds/Off for 2 seconds. CO Alarm Latch is now engaged.

Smoke Alarm is Silenced Horn: Off Power/Smoke LED: Flashes Red CO LED: Off

CO Alarm is Silenced Horn: Off Power/Smoke LED: Off CO LED: Flashes Red

IF YOUR SMOKE/CO ALARM SOUNDS WHAT TO DO FIRST- IDENTIFY THE TYPE OF ALARM SIGNAL Type of Alarm What You See and Hear Carbon Monoxide (CO) Horn: 4 beeps, pause, 4 beeps Power/Smoke LED: Off CO LED: Flashes Red

Smoke Horn: 3 beeps, pause, 3 beeps Power/Smoke LED: Flashes Red CO LED: Off Continued...

