



ACULUX® RECESSED WALL WASH

6" VERTICAL CFL, OPEN APERTURE

IC Rated, One 26W or 32W Triple Tube

ICV6-126/32T-600-WW SERIES

Project: _____

Fixture Type: _____

Location: _____

Contact/Phone: _____

PRODUCT SPECIFICATIONS

Lamp One 26W or 32W triple tube compact fluorescent lamp CFTR26W/GX24q-3 or CFTR32W/GX24q-3 • 4 pin electronic.

Socket Housing Single-position, keyed toolless reflector attachment.

Ballast 120V HPF Electronic with end-of-life lamp protection • U.L. listed/CSA certified.

Trim Ring White Polycarbonate • Optional self-flanged trim with same finish as reflector.

Reflector .050" aluminum reflector in low iridescent clear, gold or haze finish with cut-out and diffuse wall wash kicker reflector • Other finishes including wheat, straw and pewter available on special order basis.

Labels U.L. listed for direct contact with insulation, through-branch wiring and damp locations • Meets Washington State Air Tight Requirements, 1995 CABO Model Energy Code • Complies with FCC Part 18 consumer use limits • Product mechanically protected against improper use of lamps • Union made • CSA certified.

Testing All reports are based on published industry procedures; field performance may differ from laboratory performance.

Product specifications subject to change without notice.

INSTALLATION

Real Nail 3 Bar Hangers Telescoping, patent-pending Real Nail 3 system permits quick placement of housing anywhere within 24" O.C. joists or suspended ceilings • Integral T-bar notch and clip secures housing in suspended ceiling grid – no accessory clips required • 24" expansion stop allows quick placement of fixture in standard grid spacing • Bars scored in two locations for fast, clean breaking, allowing housing installation in tight applications • Bars captive to mounting frame • Edge-mounted for extra strength • Captive bugle-headed ring shank nail for quick one-step installation and easy removal with claw hammer for fixture relocation • Quick-Loc slot and oversized locking set screw lock fixture in position • Bar hanger foot contoured to align to bottom of construction joist • Alternate mounting holes included.

Junction Box Pre-wired junction box, U.L. listed/CSA certified for through-branch wiring, maximum 8 No. 12 AWG 90° C branch circuit conductors (4 in, 4 out) • Junction box provided with removable access plates (5) 1/2" and (1) 3/4" knockouts, (4) Non-metallic sheathed cable knock-outs with built-in strain reliefs and ground wire • Knockouts equipped with pryout slots.

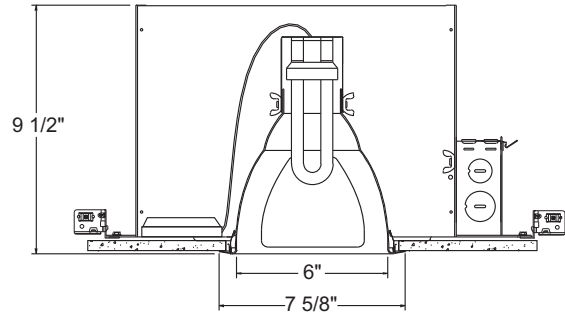
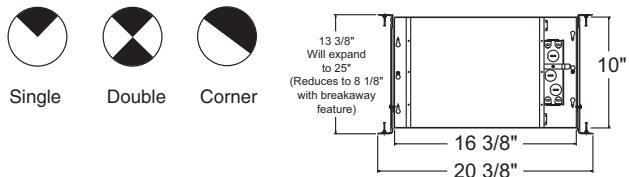
Housing/Mounting Frame 20-gauge die-formed galvanized steel plaster frame • .032" die-formed aluminum housing • Rough-in section (junction box, mounting frame, housing assembly, ballast and bar hangers) fully assembled for ease of installation.

PRODUCT CODES

Catalog Number	Cut-Out	Reflector Finish	Ballast	Wattage and Lamp
ICV6-126/32T-600C-WWS-WH	Single	Low Iridescent Clear Alzak	HPF 120V Elect.	26W or 32W Triple Tube CFL
ICV6-126/32T-600G-WWS-WH	Single	Low Iridescent Gold Alzak	HPF 120V Elect.	26W or 32W Triple Tube CFL
ICV6-126/32T-600HZ-WWS-WH	Single	Low Iridescent Haze	HPF 120V Elect.	26W or 32W Triple Tube CFL
ICV6-126/32T-600C-WWD-WH	Double	Low Iridescent Clear Alzak	HPF 120V Elect.	26W or 32W Triple Tube CFL
ICV6-126/32T-600G-WWD-WH	Double	Low Iridescent Gold Alzak	HPF 120V Elect.	26W or 32W Triple Tube CFL
ICV6-126/32T-600HZ-WWD-WH	Double	Low Iridescent Haze	HPF 120V Elect.	26W or 32W Triple Tube CFL
ICV6-126/32T-600C-WWC-WH	Corner	Low Iridescent Clear Alzak	HPF 120V Elect.	26W or 32W Triple Tube CFL
ICV6-126/32T-600G-WWC-WH	Corner	Low Iridescent Gold Alzak	HPF 120V Elect.	26W or 32W Triple Tube CFL
ICV6-126/32T-600HZ-WWC-WH	Corner	Low Iridescent Haze	HPF 120V Elect.	26W or 32W Triple Tube CFL

REV-7/10

DIMENSIONS



6 7/8" CEILING CUTOUT

ENGINEERING DATA

	120V-HPF 26W/32W
Total input power	28W/35W
Operating AMPS	.23A/.29A
Power Factor	>.98
T.H.D.	<10%
Min. starting temperature	0°F/ -18°C
Crest Factor	<1.65
Ballast Factor	>.98

OPTIONS

(Add as suffix to housing or trim)

Catalog No.	Description
DB120	120V Dimming Ballast
SF	Self-Flanged Reflector

Ordering Example: ICV6-126/32T-DB120-600-SF



PHOTOMETRIC REPORT

Test Report #: PT04990610
Catalog No: ICV6-126/32T-600C-WWS-WH
Total Luminaire Efficiency: 62.8%
Luminaire: Recessed Single Cut-Out Wall Wash
Lamp: One 26W Triple Tube CFL lamp rated @ 1800 lumens

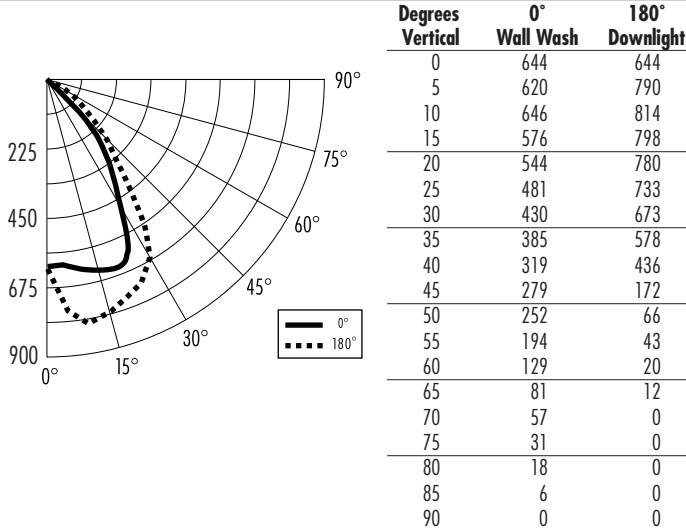
ACULUX® RECESSED WALL WASH

6" VERTICAL CFL, OPEN APERTURE

IC Rated, One 26W or 32W Triple Tube

ICV6-126/32T-600-WW SERIES

CANDLEPOWER DISTRIBUTION (Candelas)



LUMINANCE (Average cd/m²)

Degrees	180° Downlight Luminance
45	11,868
55	3658
65	1385
75	0
85	0

ZONAL LUMEN SUMMARY

Zone	Lumens	%Lamp	%Fixture
0-30°	558	31.0	49.4
0-40°	856	47.5	75.7
0-60°	1088	60.4	96.2
0-90°	1131	62.8	100.0
90-180°	0	—	—
0-180°	1131	62.8	100.0

INITIAL FOOTCANDLES ON WALL FROM MULTIPLE FIXTURES (Single and Double Wall Wash)

Fixture Distance to Wall	2'						3'					
	2'			3'			3'			4'		
1'	20	22	20	10	19	10	5	6	5	3	5	3
2'	32	33	32	17	26	17	12	14	12	8	13	8
3'	28	30	28	20	20	20	15	15	15	10	13	10
4'	25	25	25	17	16	17	13	15	13	11	10	11
5'	20	20	20	14	13	14	13	13	13	9	10	9
6'	16	16	16	11	11	11	12	11	12	9	9	9
7'	13	13	13	9	9	9	10	10	10	8	7	8
8'	10	10	10	7	7	7	9	9	9	7	6	7
9'	9	8	9	6	6	6	7	7	7	6	5	6

*Multipliers: 32W - 1.33, Gold - 0.9, Haze - 0.95

*Note: Multipliers are provided for estimating purposes only. Use IES photometric files for precise photometric information.

