



# ACULUX® RECESSED DOWNLIGHT

6" VERTICAL CFL, DECORATIVE GLASS  
 IC Rated, One 26W or 32W Triple Tube  
**ICV6-126/32T-611-WH**

Project: \_\_\_\_\_  
 Fixture Type: \_\_\_\_\_  
 Location: \_\_\_\_\_  
 Contact/Phone: \_\_\_\_\_

## PRODUCT DESCRIPTION

Recessed CFL 6" downlight luminaire with translucent hand blown Swirled Etched Opal Glass diffuser. Wet Location Listed. Sealed Air-Loc housing eliminates leak-paths to ensure maximum energy savings and comfort. Also controls plenum sound transmission and keeps dust and insects from entering living space. IC rated housing for use in direct contact with insulation.

## PRODUCT SPECIFICATIONS

**Lamp** One 26W or 32W Triple Tube compact fluorescent lamp CFTR26W/GX24q-3 or CFTR32W/GX24q-3 • 4 pin electronic.

**Ballast** 120V HPF Electronic with end-of-life lamp protection  
 • U.L. listed/CSA certified.

**Reflector** .040" aluminum reflector with clear finish.

**Glass** Decorative translucent hand blown Swirled Etched Opal Glass has a soft glowing appearance.

**Labels** U.L. listed for through branch • Wet Location Listed  
 • Union made • CSA certified • Complies with FCC Part 18 consumer use limits.

**Testing** All reports are based on published industry procedures; field performance may differ from laboratory performance.

Product specifications subject to change without notice.

## INSTALLATION

**Real Nail 3 Bar Hangers** Telescoping, patent-pending Real Nail 3 system permits quick placement of housing anywhere within 24" O.C. joists or suspended ceilings • Integral T-bar notch and clip secures housing in suspended ceiling grid – no accessory clips required • 24" expansion stop allows quick placement of fixture in standard grid spacing • Bars scored in two locations for fast, clean breaking, allowing housing installation in tight applications  
 • Bars captive to mounting frame • Edge-mounted for extra strength • Captive bugle-headed ring shank nail for quick one-step installation and easy removal with claw hammer for fixture relocation • Quick-Loc slot and oversized locking set screw lock fixture in position • Bar hanger foot contoured to align to bottom of construction joist • Alternate mounting holes included.

**Junction Box** Pre-wired junction box, U.L. listed/CSA certified for through-branch wiring, maximum 8 No. 12 AWG 90° C branch circuit conductors (4 in, 4 out) • Junction box provided with removable access plates (5) 1/2" and (1) 3/4" knockouts, (4) Non-metallic sheathed cable knock-outs with built-in strain reliefs and ground wire  
 • Knockouts equipped with pryout slots.

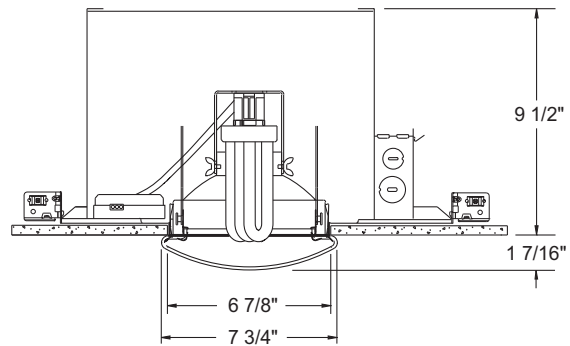
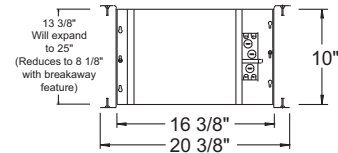
**Housing/Mounting Frame** 20-gauge die-formed galvanized steel plaster frame • .032" die-formed aluminum housing  
 • Rough-in section (junction box, mounting frame, housing assembly, ballast and bar hangers) fully assembled for ease of installation.

## PRODUCT CODES

Catalog Number	Trim	Ballast	Wattage and Lamp
ICV6-126/32T-611-WH	Swirled Etched Opal Glass	HPF 120V, Elect.	26W or 32W Triple Tube CFL

REV-7/10

## DIMENSIONS



6 7/8" CEILING CUTOUT

## ENGINEERING DATA

120V-HPF 26W/32W	
Total input power	28W/35W
Operating AMPS	.23A/.29A
Power Factor	>.98
T.H.D.	<10%
Min. starting temperature	0°F/ -18°C
Crest Factor	<1.65
Ballast Factor	>.98

## OPTIONS

(Add as suffix to housing or trim)

### Catalog No. Description

<b>DB120</b>	120V Dimming Ballast
--------------	----------------------

Ordering Example: ICV6-126/32T-**DB120**-611-WH



**PHOTOMETRIC REPORT**

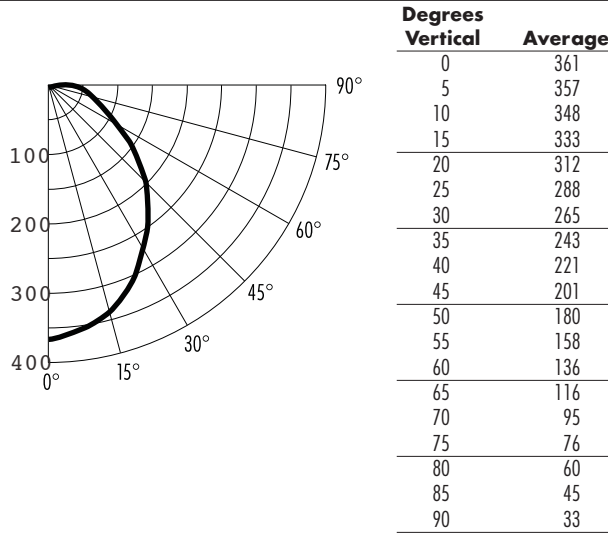
**Test Report #:** PTO6020601  
**Catalog No:** ICV6-126/32T-611-WH  
**Total Luminaire Efficiency:** 41.2%  
**Luminaire Spacing Criterion:** 1.11  
**Luminaire:** 6" Recessed Decorative Glass Downlight  
**Lamp:** One 32W PL-T CFL lamp rated @ 2400 lumens

**ACULUX® RECESSED DOWNLIGHT**

6" VERTICAL CFL, DECORATIVE GLASS  
 IC Rated, One 26W or 32W Triple Tube

**ICV6-126/32T-611-WH**

**CANDLEPOWER DISTRIBUTION (Candelas)**



\*Multipliers: 26W - 0.75

**LUMINANCE (Average cd/m²)**

Degrees	Average Luminance
45	8221
55	7338
65	6451
75	5528
85	4876

**ZONAL LUMEN SUMMARY**

Zone	Lumens	%Lamp	%Fixture
0-30°	261	10.9	26.3
0-40°	413	17.2	41.7
0-60°	709	29.5	71.6
0-90°	954	39.7	96.3
90-180°	36	1.5	3.7
0-180°	990	41.2	100.0

**COEFFICIENTS OF UTILIZATION – % (Zonal Cavity Method)** Effective Floor Cavity Reflectance 20% ( $\rho_{fc}$ )

RCR	$\rho_{cc}$ $\rho_w$	80			70			50			30			10			0
		50	30	10	50	30	10	50	30	10	50	30	10	50	30	10	0
0		49	49	49	47	47	47	45	45	45	43	43	43	41	41	41	40
1		42	40	38	40	39	37	38	37	35	36	35	34	35	34	33	32
2		36	33	31	35	32	30	33	31	29	32	30	28	30	29	27	26
3		32	28	25	31	28	25	29	27	24	28	26	24	27	25	23	22
4		28	24	22	27	24	21	26	23	21	25	22	20	24	22	20	19
5		25	21	19	25	21	18	24	20	18	23	20	18	22	19	17	16
6		23	19	16	22	19	16	21	18	16	20	18	16	20	17	15	14
7		21	17	14	20	17	14	19	16	14	19	16	14	18	16	14	13
8		19	15	13	18	15	13	18	15	13	17	14	12	17	14	12	11
9		17	14	12	17	14	12	16	13	11	16	13	11	15	13	11	10
10		16	13	11	16	13	10	15	12	10	15	12	10	14	12	10	9

$\rho_{cc}$  – Ceiling Cavity Reflectance (%)  $\rho_w$  – Wall Reflectance (%)

**INITIAL FOOTCANDLES**

One Unit, 32 Watt, 99.6° Beam

Footcandles Beam Edge	Footcandles Beam Center	Beam Diameter	Distance to Illuminated Plane (Feet)
1.3	10.0	14.2'	6
0.8	5.6	18.9'	8
0.5	3.6	23.7'	10
0.3	2.5	28.4'	12
0.2	1.8	33.1'	14
0.2	1.4	37.9'	16
0.1	1.1	42.6'	18
0.1	0.9	47.3'	20

(Beam Edge defined as 50% of Maximum Nadir Candlepower)

**AVERAGE INITIAL FOOTCANDLES**

Multiple Units (Square Array, 60' x 60' Room)

Ceiling 80% Wall 50% Floor 20%

Spacing	RCR1	RCR3	RCR5
4.0'	63	48	38
5.0'	40	31	24
6.0'	28	21	17
7.0'	23	17	14
8.0'	18	14	11
9.0'	14	10	8
10.0'	10	8	6

