



6" VERTICAL CFL DOWNLIGHT

OPEN APERTURE

One 26W or 32W Triple Tube

CV6-126/32T-600C

Project: _____

Fixture Type: _____

Location: _____

Contact/Phone: _____

PRODUCT SPECIFICATIONS

Lamp One 26W or 32W triple tube compact fluorescent lamp CFTR26W/GX24q-3 or CFTR32W/GX24q-3 • 4 pin electronic.

Socket Housing Vented, extruded aluminum housing with heat dissipating fins • Single-position, keyed reflector attachment.

Ballast 120V thru 277V HPF Electronic with end-of-life lamp protection • 347V HPF Electronic available in Canada • Optional Dimming ballast available • U.L. listed/CSA certified.

Reflector .050" aluminum reflector with low iridescent clear Alzak® finish • Other finishes including wheat, straw, haze and pewter available on special order basis.

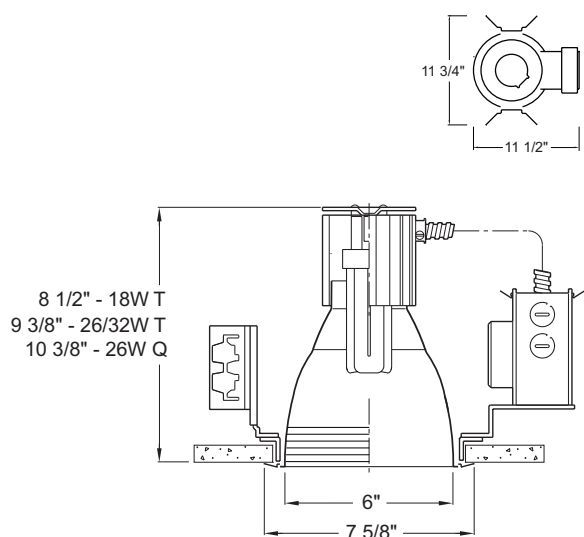
Trim Ring White Polycarbonate.

Labels U.L. listed for through branch wiring and damp locations • Union made • CSA certified.

Testing All reports are based on published industry procedures; field performance may differ from laboratory performance.

Product specifications subject to change without notice.

DIMENSIONS



6 7/8" CEILING CUTOUT

INSTALLATION

Mounting Bracket Rough-in section equipped with vertically adjustable mounting brackets (up to 3") that accept 1/2" conduit or "C" channels (HB-26 or HB-50), linear flat bars (LB-27) or Real Nail® 3 bar hangers (HB-1).

Junction Box Pre-wired junction box provided with (5)1/2" and (1)3/4" knockouts, U.L. listed/CSA certified for through branch wiring, maximum 8 No. 12 AWG 90° C branch circuit conductors (4 in, 4 out) • Junction box provided with removable access plates • Knockouts equipped with pryout slots.

Mounting Frame 16-gauge galvanized steel mounting ring with factory installed reflector mounting clips • Rough-in section (junction box, mounting frame and socket assembly) fully assembled for ease of installation • Accommodates 7/8" ceiling thickness maximum.

ENGINEERING DATA

	120V-HPF/32W	277V-HPF/32W	347V-HPF/ 32W Canada
Total input power	36W	36W	37W
Operating AMPS	.30A	.13A	.11A
Power Factor	>.98	>.98	>.98
T.H.D.	<10%	<10%	<10%
Min. starting temperature	0°F/ -18°C	0°F/ -18°C	0°F/ -18°C
Crest Factor	<1.65	<1.65	<1.65
Ballast Factor	.98	.98	1.00

ACCESSORIES

Catalog No.	Description
HB-26	Two 26" C-channel bar hangers
HB-50	Two 50" C-channel bar hangers
HB-1	Two 13 1/2" - 25" Real Nail® 3 bar hangers
LB-27	Two 27" linear bar hangers
PLK-E	13-42W emerg. power kit (Elect. Ballast)

To order, specify catalog number.

PRODUCT CODES

Catalog Number	Reflector Finish	Ballast	Wattage and Lamp
CV6-126/32T-600C-WH	Low Iridescent Clear Alzak	HPF 120V - 277V, Elect.	26W or 32W Triple Tube CFL

OPTIONS

(Add as suffix to housing or trim)

Catalog No.	Description
347	347V, HPF Electronic Ballast
DB120	120V Dimming Ballast
DB277	277V Dimming Ballast

For 347 or DB120 or DB277, specify wattage.
Ordering Example: CV6-126/32T-**347**-600C

PHOTOMETRIC REPORT

Test Report #: PTO5981202

Catalog No: CV6-126/32T-600C-WH

Total Luminaire Efficiency: 69.0%

Luminaire Spacing Criterion: 1.0

Luminaire: Recessed Clear Alzak Reflector Downlight

Lamp: One 32W Triple Tube CFL lamp rated @ 2400 lumens

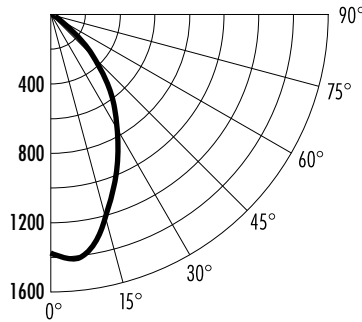
6" VERTICAL CFL DOWNLIGHT

OPEN APERTURE

One 26W or 32W Triple Tube

CV6-126/32T-600C

CANDLEPOWER DISTRIBUTION (Candelas)



Degrees Vertical	Average
0	1386
5	1411
10	1329
15	1194
20	1082
25	973
30	851
35	667
40	502
45	349
50	175
55	37
60	11
65	0
70	0
75	0
80	0
85	0
90	0

*Multiplier: 26W - 0.75

LUMINANCE (Average cd/m²)

Degrees	Average Luminance
45	26,006
55	3,399
65	0
75	0
85	0

ZONAL LUMEN SUMMARY

Zone	Lumens	%Lamp	%Fixture
0-30°	917	38.2	55.5
0-40°	1336	55.7	80.9
0-60°	1648	68.7	99.4
0-90°	1658	69.0	100.0
90-180°	0	0	0
0-180°	1658	69.0	100.0

COEFFICIENTS OF UTILIZATION -% (Zonal Cavity Method) Effective Floor Cavity Reflectance 20% (ρ_{fc})

RCR	ρ _{cc} ρ _w	80			70			50			30			10			0
		50	30	10	50	30	10	50	30	10	50	30	10	50	30	10	0
0		82	82	82	80	80	80	77	77	77	73	73	73	70	70	70	69
1		76	74	72	74	73	71	72	70	69	69	68	67	67	66	65	64
2		70	67	64	69	66	63	66	64	62	64	62	61	62	61	59	58
3		64	60	57	63	60	57	61	58	56	60	57	55	58	56	54	53
4		59	55	52	59	55	51	57	54	51	56	53	50	54	52	50	49
5		55	50	47	54	50	47	53	49	46	52	48	46	51	48	46	44
6		51	46	43	50	46	43	49	45	42	48	45	42	47	44	42	41
7		47	43	39	47	42	39	46	42	39	45	41	39	44	41	39	37
8		44	39	36	44	39	36	43	39	36	42	38	36	41	38	36	35
9		41	37	34	41	36	33	40	36	33	39	36	33	39	35	33	32
10		39	34	31	38	34	31	38	34	31	37	33	31	36	33	31	30

ρ_{cc} - Ceiling Cavity Reflectance (%) ρ_w - Wall Reflectance (%)

INITIAL FOOTCANDLES

One Unit, 32 Watt, 79° Beam

Footcandle Beam Edge	Footcandle Beam Center	Beam Diameter	Distance to Illuminated Plane (Feet)
11.1	38.5	8.1'	6
6.2	21.7	10.8'	8
3.9	13.9	13.5'	10
2.7	9.6	16.2'	12
2.0	7.1	18.9'	14
1.5	5.4	21.6'	16
1.2	4.3	24.3'	18
1.0	3.5	27.0'	20

(Beam Edge defined as 50% of Maximum Nadir Candlepower)

AVERAGE INITIAL FOOTCANDLES

Multiple Units (Square Array)

Ceiling 80% Wall 50% Floor 20%

Spacing	RCR1	RCR4	RCR8
5.0'	72	57	42
6.0'	50	39	29
7.0'	37	29	22
8.0'	28	22	17
9.0'	22	17	13
10.0'	18	14	11
12.0'	13	10	7

*Note: Multipliers are provided for estimating purposes only. Use IES photometric files for precise photometric information.

