



# ACULUX® RECESSED DOWNLIGHT

6" VERTICAL CFL, DECORATIVE GLASS  
TC Rated, One 26W or 32W Triple Tube

## CV6-126/32T-611-WH

Project: \_\_\_\_\_  
 Fixture Type: \_\_\_\_\_  
 Location: \_\_\_\_\_  
 Contact/Phone: \_\_\_\_\_

### PRODUCT SPECIFICATIONS

**Lamp** One 26W or 32W triple tube compact fluorescent lamp CFTR26W/GX24q-3 or CFTR32W/GX24q-3 • 4 pin electronic.

**Socket Housing** Vented, extruded aluminum housing with heat dissipating fins • Single-position, keyed reflector attachment.

**Ballast** 120V thru 277V HPF Electronic with end-of-life lamp protection • 347V HPF Electronic available in Canada • Optional Dimming ballast available • U.L. listed/CSA certified.

**Reflector** .040" aluminum reflector with clear finish.

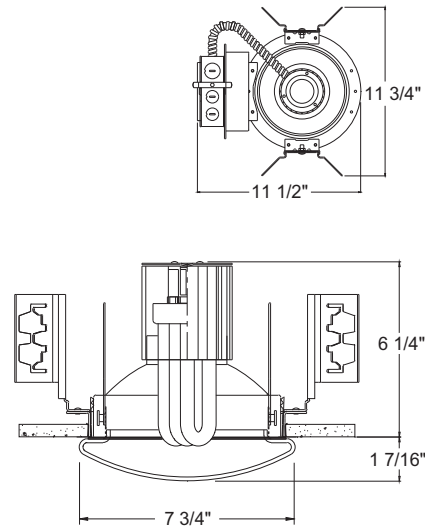
**Glass** Decorative translucent hand blown Swirled Etched Opal Glass has a soft glowing appearance.

**Labels** U.L. listed for through-branch wiring and wet locations  
 • Product mechanically protected against improper use of lamps  
 • Union made • CSA certified.

**Testing** All reports are based on published industry procedures; field performance may differ from laboratory performance.

Product specifications subject to change without notice.

### DIMENSIONS



6 7/8" CEILING CUTOUT

### INSTALLATION

**Mounting Bracket** Rough-in section equipped with vertically adjustable mounting brackets that accept 1/2" conduit, "C" channels (HB-26 or HB-50), linear flat bars (LB-27) or 26" telescoping Real Nail bar hangers (HB-1).

**Junction Box** Pre-wired junction box provided with (5) 1/2" and (1) 3/4" knockouts, U.L. listed/CSA certified for through branch wiring, maximum 8 No. 12 AWG 90° C branch circuit conductors (4 in, 4 out) • Junction box provided with removable access plates • Knockouts equipped with pryout slots.

**Mounting Frame** 16-gauge galvanized steel mounting ring with factory installed reflector mounting clips • Rough-in section (junction box, mounting frame, mounting brackets, ballast and socket assembly) fully assembled for ease of installation  
 • Accommodates 3/8" ceiling thickness maximum.

### ENGINEERING DATA

	120V-HPF 26W/32W	277V-HPF 26W/32W	347V-HPF Canada 26W/32W
Total input power	28W/35W	28W/35W	38W/42W
Operating AMPS	.23A/.29A	.10A/.13A	.11A/.12A
Power Factor	>.98	>.98	>.97
T.H.D.	<10%	<10%	<10%
Min. starting temperature	0°F/ -18°C	0°F/ -18°C	0°F/ -18°C
Crest Factor	<1.65	<1.65	<1.65
Ballast Factor	>.98	>.98	1.00

### ACCESSORIES

Catalog No.	Description
HB-1	Two Real Nail Bar Hangers
HB-26	Two 26" C-channel bar hangers
HB-50	Two 50" C-channel bar hangers
LB-27	Two 27" linear bar hangers
PLK-E	13-42W emerg. power kit (Elect. Ballast)

To order, specify catalog number.

### PRODUCT CODES

Catalog Number	Trim	Ballast	Wattage and Lamp
CV6-126/32T-611-WH	Swirled Etched Opal Glass	HPF 120V - 277V, Elect.	26W or 32W Triple Tube CFL

### OPTIONS

(Add as suffix to housing or trim)

Catalog No.	Description
347	347V, HPF Electronic Ballast
DB120	120V Dimming Ballast
DB277	277V Dimming Ballast

Ordering Example: CV6-126/32T-347-611-WH



**PHOTOMETRIC REPORT**

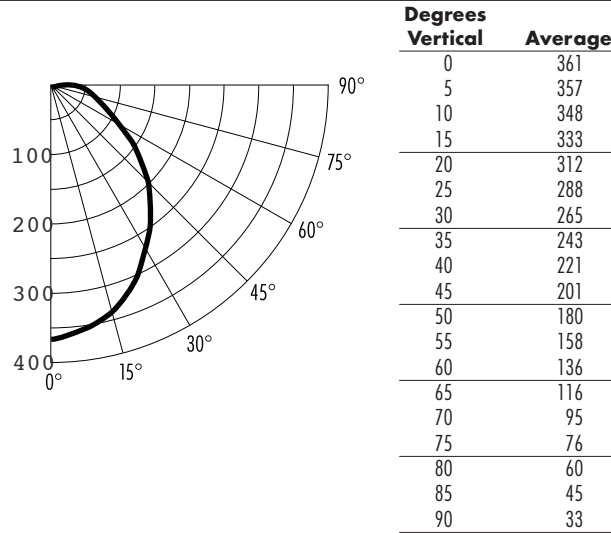
**Test Report #:** PTO6020601  
**Catalog No:** CV6-126/32T-611-WH  
**Total Luminaire Efficiency:** 41.2%  
**Luminaire Spacing Criterion:** 1.11  
**Luminaire:** 6" Recessed Decorative Glass Downlight  
**Lamp:** One 32W PL-T CFL lamp rated @ 2400 lumens

**ACULUX® RECESSED DOWNLIGHT**

6" VERTICAL CFL, DECORATIVE GLASS  
 TC Rated, One 26W or 32W Triple Tube

**CV6-126/32T-611-WH**

**CANDLEPOWER DISTRIBUTION (Candelas)**



\*Multipliers: 26W - 0.75

**LUMINANCE (Average cd/m²)**

Degrees	Average Luminance
45	8221
55	7338
65	6451
75	5528
85	4876

**ZONAL LUMEN SUMMARY**

Zone	Lumens	%Lamp	%Fixture
0-30°	261	10.9	26.3
0-40°	413	17.2	41.7
0-60°	709	29.5	71.6
0-90°	954	39.7	96.3
90-180°	36	1.5	3.7
0-180°	990	41.2	100.0

**COEFFICIENTS OF UTILIZATION – % (Zonal Cavity Method)** Effective Floor Cavity Reflectance 20% ( $\rho_{fc}$ )

RCR	$\rho_{cc}$ $\rho_w$	80			70			50			30			10			0
		50	30	10	50	30	10	50	30	10	50	30	10	50	30	10	0
0		49	49	49	47	47	47	45	45	45	43	43	43	41	41	41	40
1		42	40	38	40	39	37	38	37	35	36	35	34	35	34	33	32
2		36	33	31	35	32	30	33	31	29	32	30	28	30	29	27	26
3		32	28	25	31	28	25	29	27	24	28	26	24	27	25	23	22
4		28	24	22	27	24	21	26	23	21	25	22	20	24	22	20	19
5		25	21	19	25	21	18	24	20	18	23	20	18	22	19	17	16
6		23	19	16	22	19	16	21	18	16	20	18	16	20	17	15	14
7		21	17	14	20	17	14	19	16	14	19	16	14	18	16	14	13
8		19	15	13	18	15	13	18	15	13	17	14	12	17	14	12	11
9		17	14	12	17	14	12	16	13	11	16	13	11	15	13	11	10
10		16	13	11	16	13	10	15	12	10	15	12	10	14	12	10	9

$\rho_{cc}$  – Ceiling Cavity Reflectance (%)  $\rho_w$  – Wall Reflectance (%)

**INITIAL FOOTCANDLES**

One Unit, 32 Watt, 99.6° Beam

Footcandles Beam Edge	Footcandles Beam Center	Beam Diameter	Distance to Illuminated Plane (Feet)
1.3	10.0	14.2'	6
0.8	5.6	18.9'	8
0.5	3.6	23.7'	10
0.3	2.5	28.4'	12
0.2	1.8	33.1'	14
0.2	1.4	37.9'	16
0.1	1.1	42.6'	18
0.1	0.9	47.3'	20

(Beam Edge defined as 50% of Maximum Nadir Candlepower)

**AVERAGE INITIAL FOOTCANDLES**

Multiple Units (Square Array, 60' x 60' Room)

Ceiling 80% Wall 50% Floor 20%

Spacing	RCR1	RCR3	RCR5
4.0'	63	48	38
5.0'	40	31	24
6.0'	28	21	17
7.0'	23	17	14
8.0'	18	14	11
9.0'	14	10	8
10.0'	10	8	6

