



ACULUX® RECESSED DOWNLIGHT

6" VERTICAL CFL, BAFFLED APERTURE
TC Rated, One 26W or 32W Triple Tube

CV6-126/32T-601 SERIES

Project: _____
 Fixture Type: _____
 Location: _____
 Contact/Phone: _____

PRODUCT SPECIFICATIONS

Lamp One 26W or 32W triple tube compact fluorescent lamp CFTR26W/GX24q-3 or CFTR32W/GX24q-3 • 4 pin electronic.

Socket Housing Vented, extruded aluminum housing with heat dissipating fins • Single-position, keyed reflector attachment.

Ballast 120V thru 277V HPF Electronic with end-of-life lamp protection • 347V HPF Electronic available in Canada • Optional Dimming ballast available • U.L. listed/CSA certified.

Trim Ring White Polycarbonate.

Reflector .050" aluminum reflector with clear specular Alzak® finish.

Baffle Matte black or white, grooved aluminum baffle.

Labels U.L. listed for through-branch wiring and damp locations
 • Product mechanically protected against improper use of lamps
 • Union made • CSA certified.

Testing All reports are based on published industry procedures; field performance may differ from laboratory performance.

Product specifications subject to change without notice.

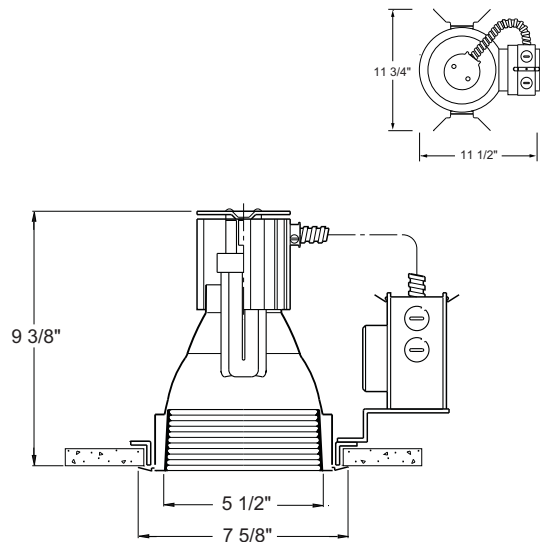
INSTALLATION

Mounting Bracket Rough-in section equipped with vertically adjustable mounting brackets that accept 1/2" conduit, "C" channels (HB-26 or HB-50), linear flat bars (LB-27) or 26" telescoping Real Nail bar hangers (HB-1).

Junction Box Pre-wired junction box provided with (5)1/2" and (1)3/4" knockouts, U.L. listed/CSA certified for through branch wiring, maximum 8 No. 12 AWG 90° C branch circuit conductors (4 in, 4 out) • Junction box provided with removable access plates • Knockouts equipped with pryout slots.

Mounting Frame 16-gauge galvanized steel mounting ring with factory installed reflector mounting clips • Rough-in section (junction box, mounting frame, mounting brackets, ballast and socket assembly) fully assembled for ease of installation
 • Accommodates 3/8" ceiling thickness maximum.

DIMENSIONS



6 7/8" CEILING CUTOUT

ENGINEERING DATA

	120V-HPF 26W/32W	277V-HPF 26W/32W	347V-HPF Canada 26W/32W
Total input power	28W/35W	28W/35W	38W/42W
Operating AMPS	.23A/.29A	.10A/.13A	.11A/.12A
Power Factor	>.98	>.98	>.97
T.H.D.	<10%	<10%	<10%
Min. starting temperature	0°F/ -18°C	0°F/ -18°C	0°F/ -18°C
Crest Factor	<1.65	<1.65	<1.65
Ballast Factor	>.98	>.98	1.00

ACCESSORIES

Catalog No.	Description
HB-1	Two Real Nail Bar Hangers
HB-26	Two 26" C-channel bar hangers
HB-50	Two 50" C-channel bar hangers
LB-27	Two 27" linear bar hangers
PLK-E	13-42W emerg. power kit (Elect. Ballast)

To order, specify catalog number.

PRODUCT CODES

Catalog Number	Trim	Ballast	Wattage and Lamp
CV6-126/32T-601B-WH	Black Baffle/Clear Alzak	HPF 120V - 277V, Elect.	26W or 32W Triple Tube CFL
CV6-126/32T-601W-WH	White Baffle/Clear Alzak	HPF 120V - 277V, Elect.	26W or 32W Triple Tube CFL

OPTIONS

(Add as suffix to housing or trim)

Catalog No.	Description
347	347V, HPF Electronic Ballast
DB120	120V Dimming Ballast
DB277	277V Dimming Ballast

Ordering Example: CV6-126/32T-347-601B-WH



PHOTOMETRIC REPORT

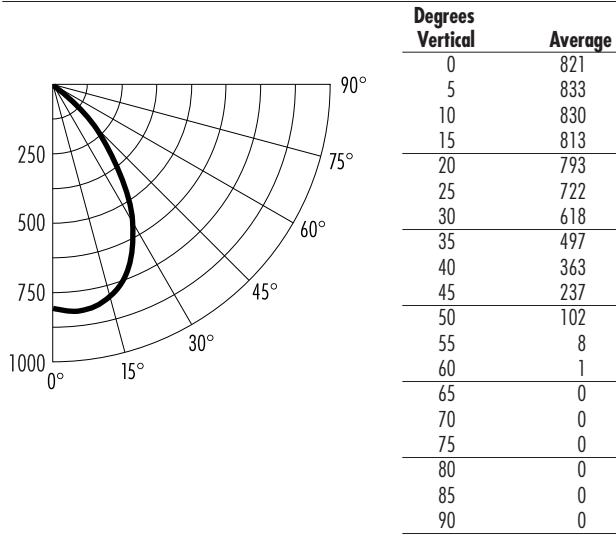
Test Report #: LTL02495P
Catalog No: CV6-126/32T-601B-WH
Total Luminaire Efficiency: 48.0%
Luminaire Spacing Criterion: 1.1
Luminaire: Recessed Black Baffled Aperture Downlight
Lamp: One 32W Triple Tube CFL lamp rated @ 2400 lumens

ACULUX® RECESSED DOWNLIGHT

6" VERTICAL CFL, BAFFLED APERTURE
 TC Rated, One 26W or 32W Triple Tube

CV6-126/32T-601 SERIES

CANDLEPOWER DISTRIBUTION (Candelas)



*Multipliers: 26W - 0.75, White Baffle - 1.10

LUMINANCE (Average cd/m²)

Degrees	Average Luminance
45	16,304
55	678
65	0
75	0
85	0

ZONAL LUMEN SUMMARY

Zone	Lumens	%Lamp	%Fixture
0-30°	639	27	56
0-40°	946	40	82
0-60°	1147	48	100
0-90°	1147	48	100
90-180°	0	0	0
0-180°	1147	48	100

COEFFICIENTS OF UTILIZATION – % (Zonal Cavity Method) Effective Floor Cavity Reflectance 20% (ρ_{fc})

RCR	ρ_{cc} ρ_w	80			70			50			30			10			0
		50	30	10	50	30	10	50	30	10	50	30	10	50	30	10	0
0		57	57	57	56	56	56	53	53	53	51	51	51	49	49	49	48
1		53	51	50	52	51	50	50	49	48	48	47	47	46	46	45	44
2		49	47	45	48	46	44	46	45	43	45	43	42	43	42	41	41
3		45	42	40	44	42	40	43	41	39	42	40	39	41	39	38	37
4		41	38	36	41	38	36	40	37	36	39	37	35	38	36	35	34
5		38	35	33	38	35	33	37	34	33	36	34	32	35	33	32	31
6		36	32	30	35	32	30	34	32	30	34	31	30	33	31	29	29
7		33	30	28	33	30	28	32	29	27	31	29	27	31	29	27	26
8		31	28	26	31	28	25	30	27	25	29	27	25	29	27	25	24
9		29	26	24	29	26	24	28	25	23	28	25	23	27	25	23	23
10		27	24	22	27	24	22	26	24	22	26	24	22	26	23	22	21

ρ_{cc} – Ceiling Cavity Reflectance (%) ρ_w – Wall Reflectance (%)

INITIAL FOOTCANDLES

One Unit, 32 Watt, 79° Beam

Footcandles Beam Edge	Footcandles Beam Center	Beam Diameter	Distance to Illuminated Plane (Feet)
5.2	22.8	9.9'	6
2.9	12.8	13.2'	8
1.9	8.2	16.5'	10
1.3	5.7	19.8'	12
1.0	4.1	23.1'	14
0.7	3.2	26.4'	16
0.6	2.5	29.7'	18
0.5	2.1	33.0'	20

(Beam Edge defined as 50% of Maximum Nadir Candlepower)

AVERAGE INITIAL FOOTCANDLES

Multiple Units (Square Array)

Ceiling 80% Wall 50% Floor 20%

Spacing	RCR1	RCR4	RCR8
5.0'	51	39	30
6.0'	35	27	21
7.0'	26	20	15
8.0'	20	15	12
9.0'	16	12	9
10.0'	13	10	7
12.0'	9	7	5

*Note: Multipliers are provided for estimating purposes only. Use IES photometric files for precise photometric information.

